

## Compact cylinders - Series 31

Product code: 31R2A040A040

Datasheet creation date: 19/05/2026 21:33

Check the most updated document online [click here](#)

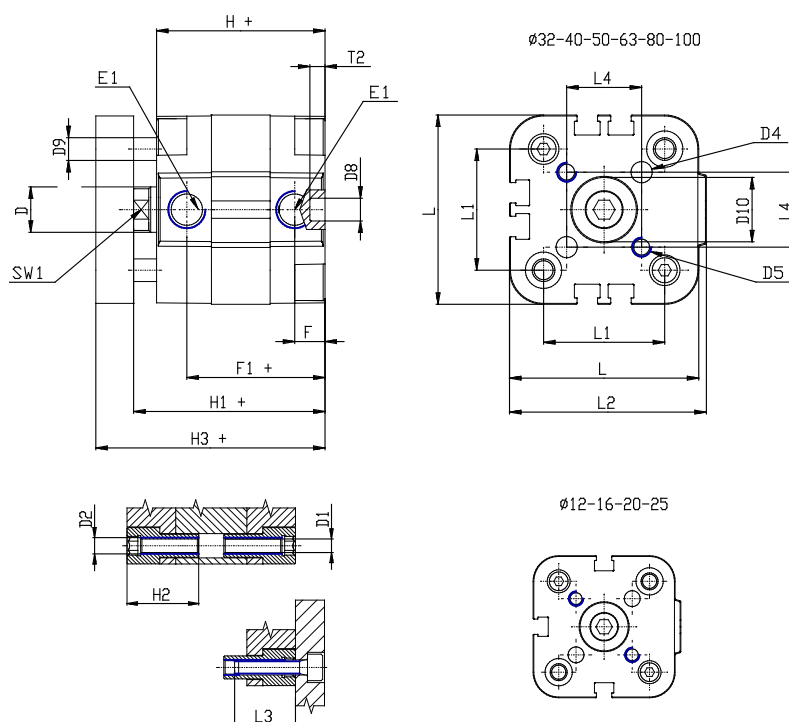


### TECHNICAL DATA

<b>Series</b>	31
<b>Version</b>	R=non-rotating with flange, only double acting
<b>Operation</b>	2=double-acting
<b>Materials</b>	A = rolled stainless steel AISI 303 rod, tube profile aluminium
<b>Diameter (mm)</b>	40
<b>Construction</b>	A = standard
<b>Stroke (mm)</b>	40
<b>Seal options</b>	= standard
<b>Rod length (mm)</b>	0
<b>Rod length 2 (mm)</b>	0
<b>Certifications</b>	= standard

## Compact cylinders - Series 31

Product code: 31R2A040A040



### DIMENSIONS

Ø D (mm)	12
Ø D1 (mm)	5.5
D2	M6
D3	M6
Ø D4 (mm)	5
D5	M5
Ø D8 (mm)	6
D9 (mm)	6
D10 (mm)	17
E1	G1\8
F (mm)	8.0
F1 (mm)	37.5
H (mm)	45.5
H1 (mm)	52.0
H2 (mm)	21.5
K1	M10x1,25
L (mm)	60
L1 (mm)	42
L2 (mm)	62.5
L3 (mm)	20
L4 (mm)	23.3
T (mm)	12
T1 (mm)	22

T2 (mm)	4
SW1 (mm)	10