

## Sender and receiver element Mod. 2LB - Series 2L

Product code: 2LB-SR

Datasheet creation date: 19/05/2026 17:14

Check the most updated document online [click here](#)

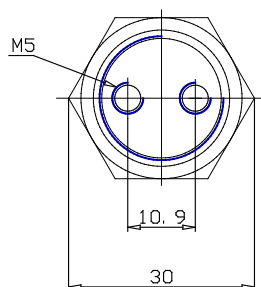
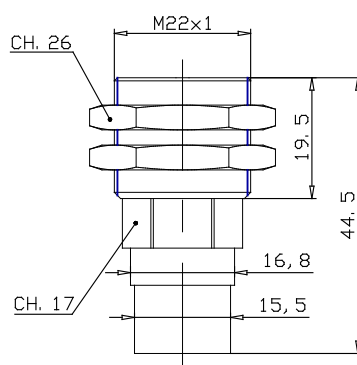


### TECHNICAL DATA

Mod.	2LB-SR
------	--------

## Sender and receiver element Mod. 2LB - Series 2L

Product code: 2LB-SR



### **DIMENSIONS**

<b>Mod.</b>	2LB-SR
-------------	--------