

Valves - Series 28

Product code: 2839 1/4

Datasheet creation date: 19/05/2026 08:51

Check the most updated document online [click here](#)

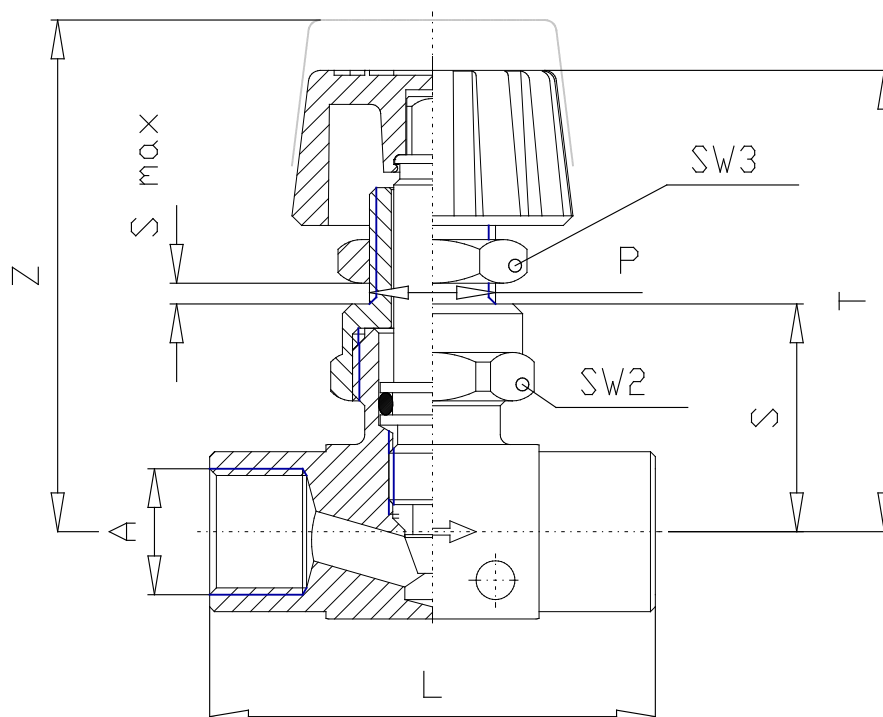


TECHNICAL DATA

| | |
|------|----------|
| Mod. | 2839 1/4 |
|------|----------|

Valves - Series 28

Product code: 2839 1/4



DIMENSIONS

| | |
|---------------|------|
| A | G1/4 |
| P | 1/4 |
| S | 23 |
| T (mm) | 47.0 |
| Z (mm) | 52.5 |
| S MAX | 7 |
| SW2 | 19 |
| SW3 | 17 |