

## Valves - Series 28

Product code: 2839 1/2

Datasheet creation date: 19/05/2026 17:13

Check the most updated document online [click here](#)

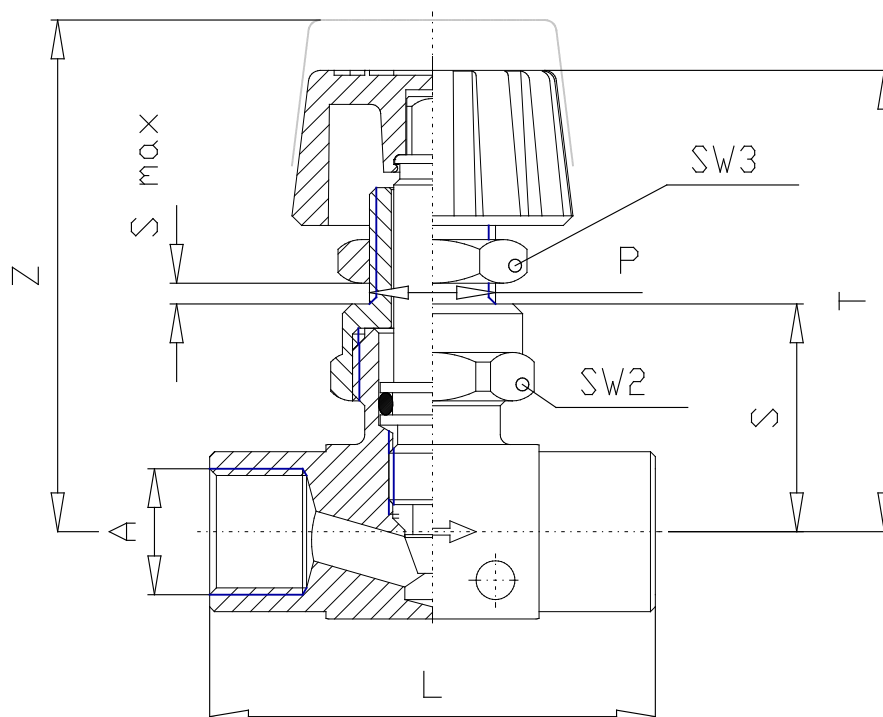


### TECHNICAL DATA

Mod.	2839 1/2
------	----------

## Valves - Series 28

Product code: 2839 1/2



### DIMENSIONS

<b>A</b>	G1/2
<b>P</b>	14x1
<b>S</b>	29
<b>T (mm)</b>	57.0
<b>Z (mm)</b>	64.0
<b>S MAX</b>	7
<b>SW2</b>	22
<b>SW3</b>	17