

## Valves - Series 28

Product code: 2820 1/4

Datasheet creation date: 19/05/2026 08:51

Check the most updated document online [click here](#)

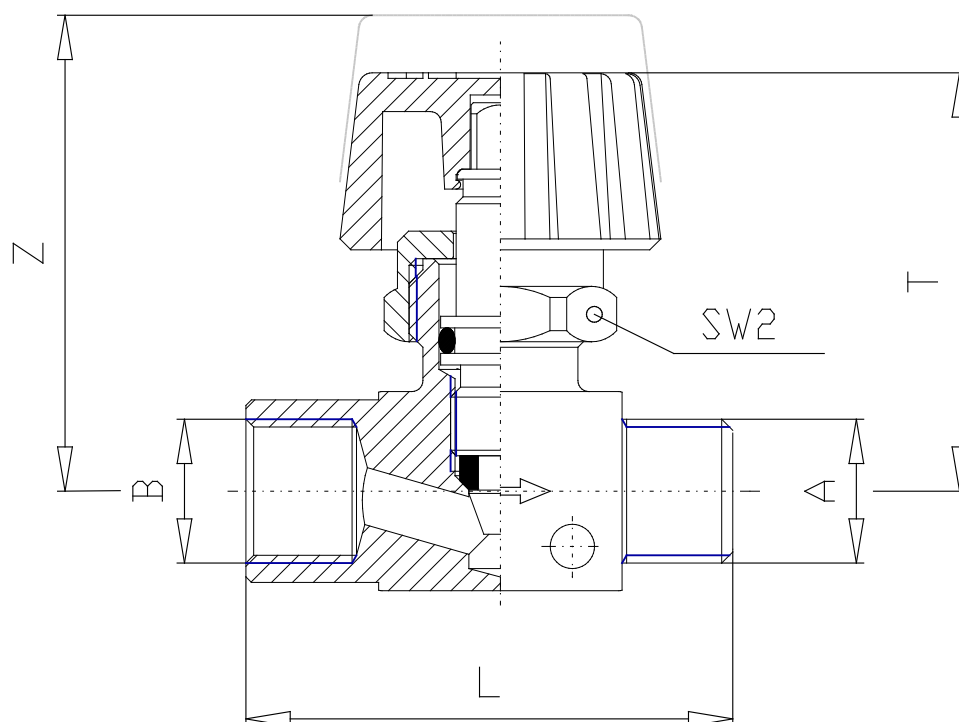


### TECHNICAL DATA

Mod.	2820 1/4
------	----------

## Valves - Series 28

Product code: 2820 1/4



### DIMENSIONS

<b>A</b>	G1/4
<b>P</b>	-
<b>S</b>	-
<b>T (mm)</b>	37.0
<b>Z (mm)</b>	42.5
<b>SMAX</b>	-
<b>SW2</b>	19
<b>SW3</b>	-