

Round cylinders - Series 27

Product code: 27U2A63A0040

Datasheet creation date: 19/05/2026 09:18

Check the most updated document online [click here](#)

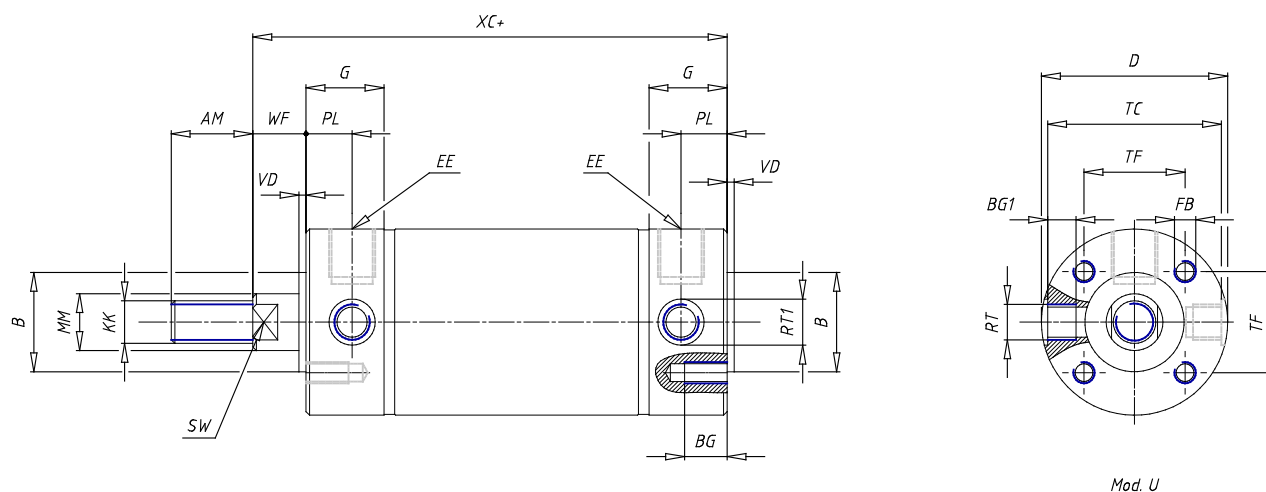


TECHNICAL DATA

| | |
|------------------------|---|
| Series | 27 |
| Diameter (mm) | 63 |
| Version | U = rear end block with radial connection |
| Operation | 2 = double - acting |
| Materials | A = rolled stainless steel |
| Construction | A = standard |
| Stroke (mm) | 40 |
| Seal options | = standard |
| Rod length (mm) | 0 |
| Certifications | = standard |

Round cylinders - Series 27

Product code: 27U2A63A0040



DIMENSIONS

| | |
|-----------|---------|
| AM (mm) | 30 |
| Ø B (mm) | 35 |
| BF (mm) | 0 |
| BE | 0 |
| Ø CD (mm) | 0 |
| Ø D (mm) | 65.5 |
| EE | G1/4 |
| EW (mm) | 0 |
| G (mm) | 22.0 |
| G1 (mm) | 0.0 |
| KK | M16x1.5 |
| L (mm) | 0 |
| Ø MM (mm) | 20 |
| L5 (mm) | 0 |
| L6 (mm) | 0 |
| PL (mm) | 13 |
| SW (mm) | 17 |
| VD (mm) | 2 |
| WF (mm) | 13.0 |
| XC (mm) | 99.0 |
| XC1 (mm) | 0.0 |
| XC2 (mm) | 0.0 |
| SW1 (mm) | 0 |

| | |
|------------|---------|
| BG (mm) | 12 |
| BG1 (mm) | 9.5 |
| FB | M8 |
| RT | M12x1.5 |
| Ø RT1 (mm) | 15 |
| TC (mm) | 62 |
| TF (mm) | 35.5 |