

## Round cylinders - Series 27

Product code: 27U2A63A0025

Datasheet creation date: 18/05/2026 14:31

Check the most updated document online [click here](#)

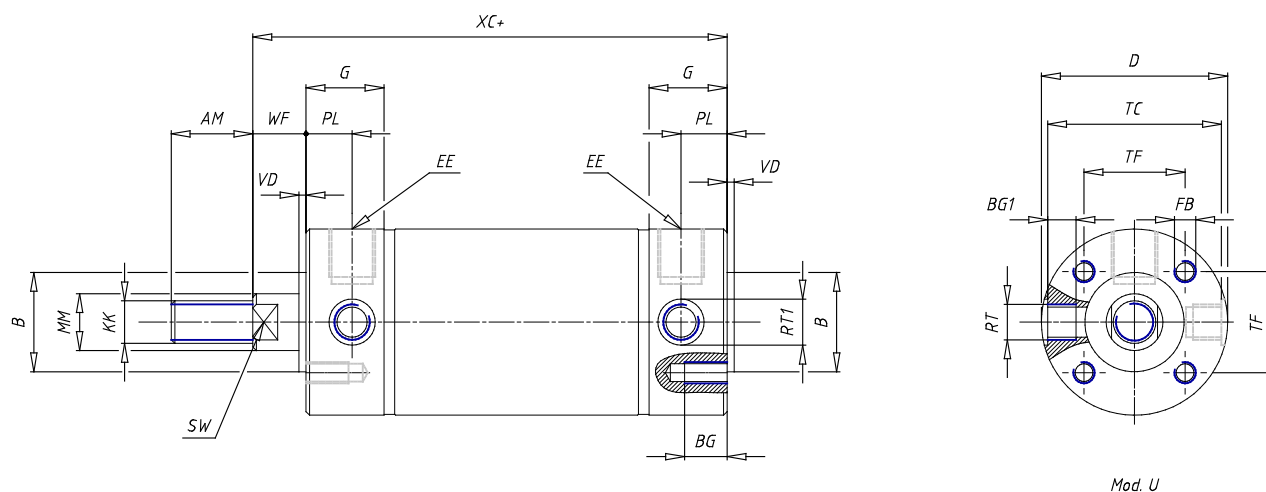


### TECHNICAL DATA

<b>Series</b>	27
<b>Diameter (mm)</b>	63
<b>Version</b>	U = rear end block with radial connection
<b>Operation</b>	2 = double - acting
<b>Materials</b>	A = rolled stainless steel
<b>Construction</b>	A = standard
<b>Stroke (mm)</b>	25
<b>Seal options</b>	= standard
<b>Rod length (mm)</b>	0
<b>Certifications</b>	= standard

## Round cylinders - Series 27

Product code: 27U2A63A0025



### DIMENSIONS

AM (mm)	30
Ø B (mm)	35
BF (mm)	0
BE	0
Ø CD (mm)	0
Ø D (mm)	65.5
EE	G1/4
EW (mm)	0
G (mm)	22.0
G1 (mm)	0.0
KK	M16x1.5
L (mm)	0
Ø MM (mm)	20
L5 (mm)	0
L6 (mm)	0
PL (mm)	13
SW (mm)	17
VD (mm)	2
WF (mm)	13.0
XC (mm)	99.0
XC1 (mm)	0.0
XC2 (mm)	0.0
SW1 (mm)	0

BG (mm)	12
BG1 (mm)	9.5
FB	M8
RT	M12x1.5
Ø RT1 (mm)	15
TC (mm)	62
TF (mm)	35.5