

Mod. 2611 - Fittings Serie 2000

Product code: 2611 1/8

Datasheet creation date: 20/05/2026 08:21

Check the most updated document online [click here](#)

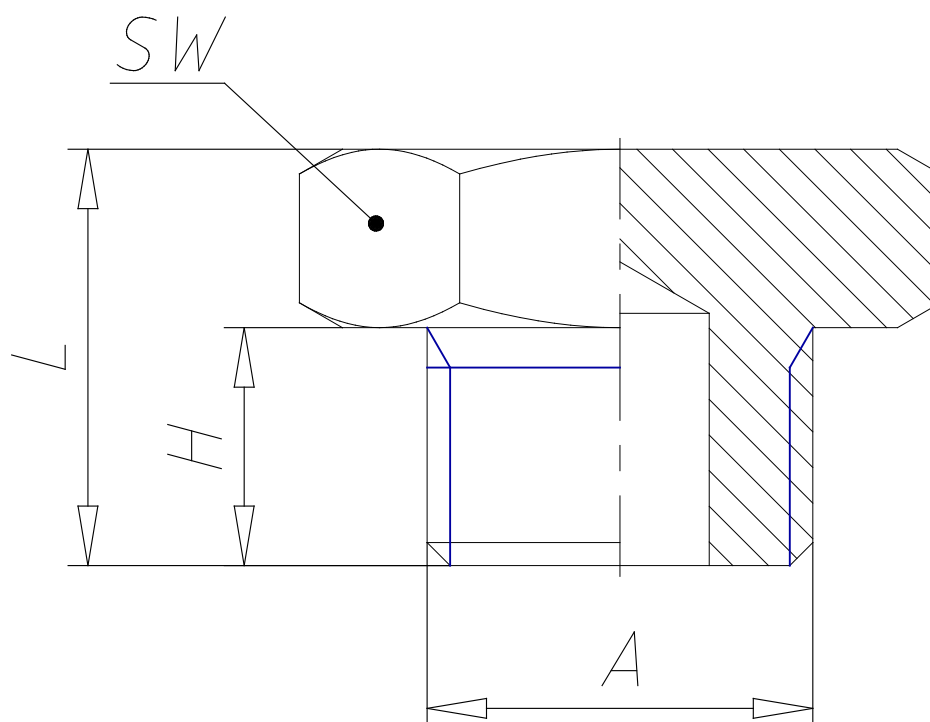


■ TECHNICAL DATA

Mod.	2611 1/8
------	----------

Mod. 2611 - Fittings Serie 2000

Product code: 2611 1/8



DIMENSIONS

A	G1/8
H (mm)	6
L (mm)	10.5
SW (mm)	13