

Mod. 2500 - Fittings Serie 2000

Product code: 2500 3/8

Datasheet creation date: 19/05/2026 08:53

Check the most updated document online [click here](#)

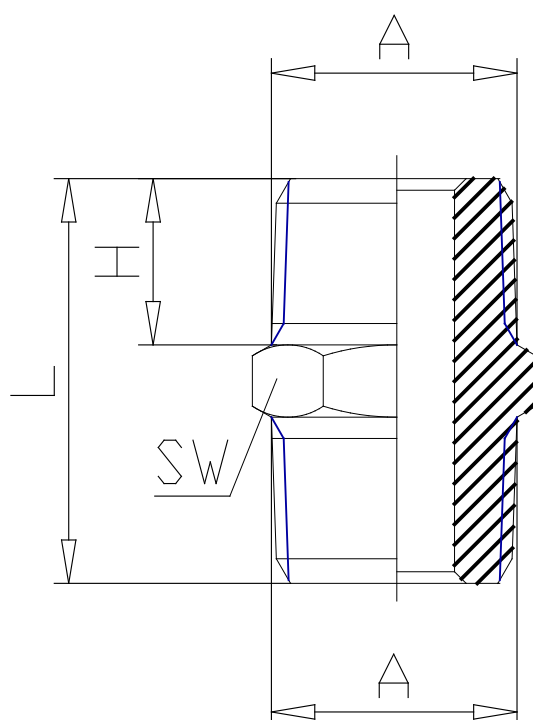


TECHNICAL DATA

Mod.	2500 3/8
------	----------

Mod. 2500 - Fittings Serie 2000

Product code: 2500 3/8



DIMENSIONS

A	R3/8
H (mm)	11.5
L (mm)	28.0
SW (mm)	17