

## Mechanically operated minivalves - Series 2 / 234-965

Product code: 234-965

Datasheet creation date: 19/05/2026 08:50

Check the most updated document online [click here](#)

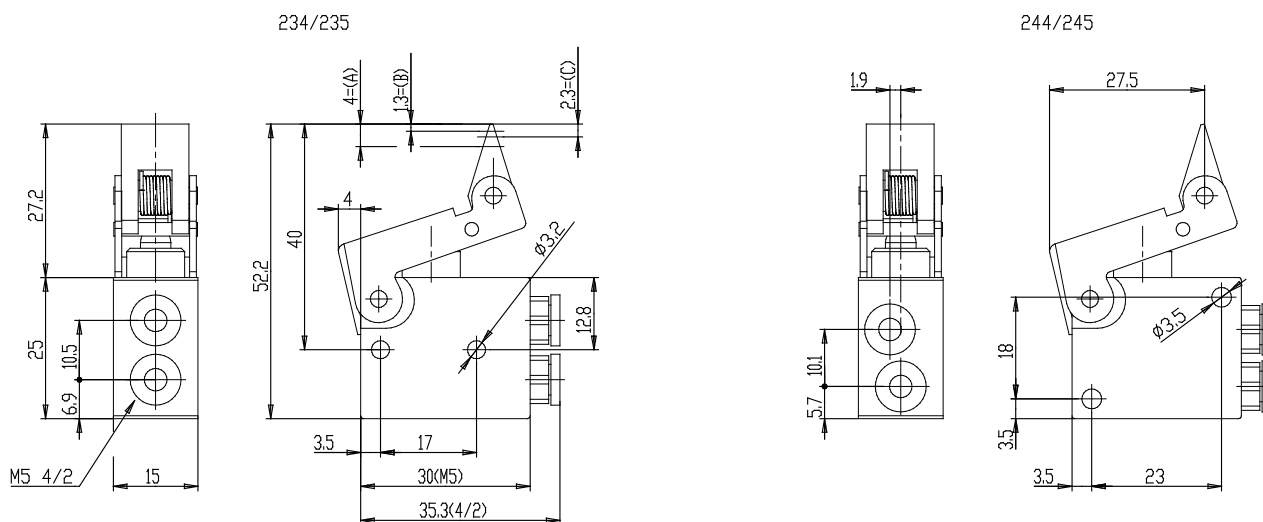


### TECHNICAL DATA

<b>Mod.</b>	234-965
<b>Operating pressure (bar)</b>	2 ÷ 10
<b>Flow rate NI/min</b>	60NL/min
<b>Actuating force</b>	a 6 bar =6N
<b>Thread port (mm)</b>	Ø4
<b>Activity</b>	Actuating unidirectional lever / roller

## Mechanically operated minivalves - Series 2 / 234-965

Product code: 234-965



### DIMENSIONS

<b>Mod.</b>	234-965
<b>Operating pressure (bar)</b>	2 ÷ 10
<b>Flow rate NI/min</b>	60NL/min
<b>Actuating force</b>	a 6 bar =6N
<b>Thread port (mm)</b>	Ø4
<b>Activity</b>	Actuating unidirectional lever / roller