

## - Fittings Mod. 1635 02

Product code: 1635 02-1/2

Datasheet creation date: 19/05/2026 17:59

Check the most updated document online [click here](#)

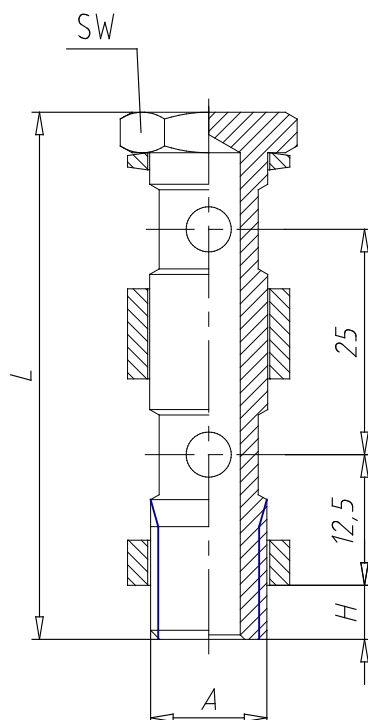


### TECHNICAL DATA

Mod.	1635 02-1/2
------	-------------

## - Fittings Mod. 1635 02

Product code: 1635 02-1/2



### ■ DIMENSIONS

<b>A</b>	G1/2
<b>H (mm)</b>	9
<b>L (mm)</b>	60.0
<b>SW (mm)</b>	27