

- Fittings Mod. 1610

Product code: 1610 15/12,5-1/2

Datasheet creation date: 19/05/2026 18:19

Check the most updated document online [click here](#)

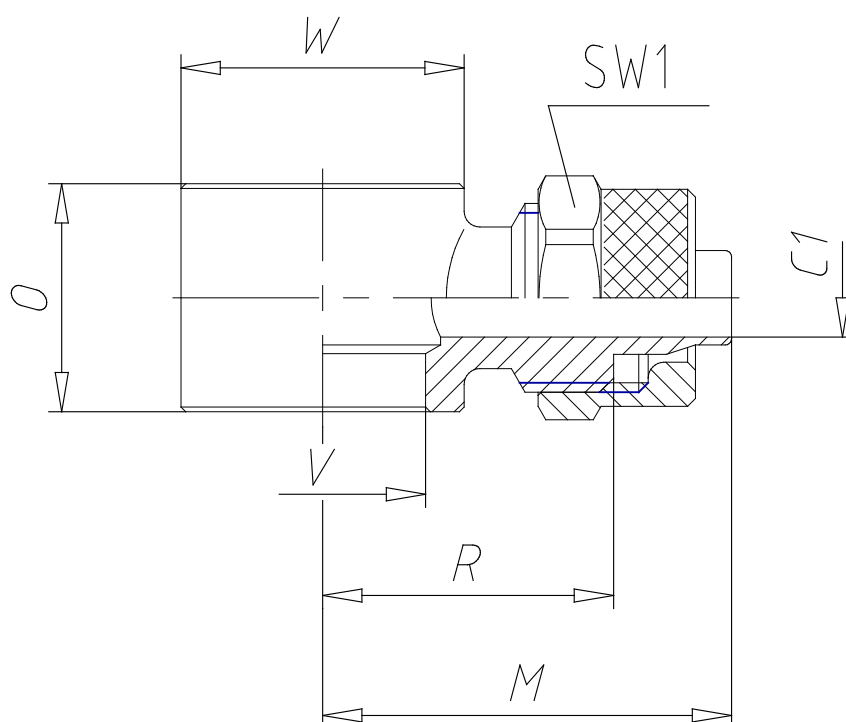


■ TECHNICAL DATA

Mod.	1610 15/12,5-1/2
------	------------------

- Fittings Mod. 1610

Product code: 1610 15/12,5-1/2



■ DIMENSIONS

Mod.	1610 15/12,5-1/2
Tube	15/12,5
C1 (mm)	11.0
M (mm)	36.5
O (mm)	14.5
R (mm)	25.0
V (mm)	21.0
W	Ø26
SW1 (mm)	22
Assembly	1635