

- Fittings Mod. 1560

Product code: 1560 6/4-1/4

Datasheet creation date: 19/05/2026 17:59

Check the most updated document online [click here](#)

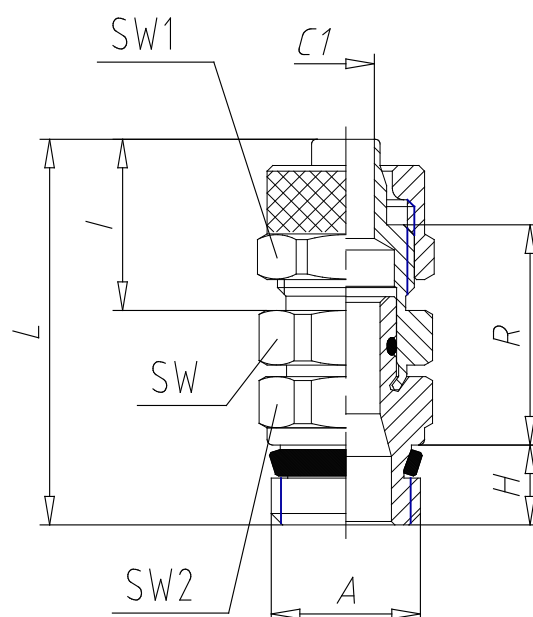


■ TECHNICAL DATA

Mod.	1560 6/4-1/4
------	--------------

- Fittings Mod. 1560

Product code: 1560 6/4-1/4



■ DIMENSIONS

Tube	6/4
A	G 1/4
C1 (mm)	3.0
H (mm)	7.0
I (mm)	15.0
L (mm)	32.5
R (mm)	18.0
SW (mm)	12
SW1 (mm)	12
SW2 (mm)	14