

## - Fittings Mod. 1560

Product code: 1560 12/10-3/8

Datasheet creation date: 19/05/2026 17:59

Check the most updated document online [click here](#)

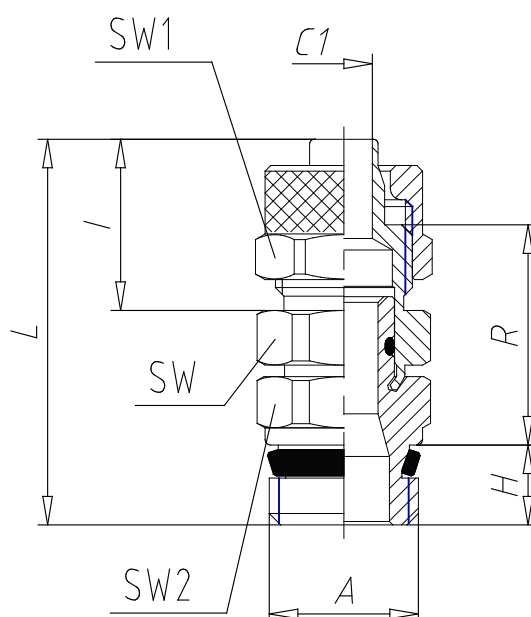


### ■ TECHNICAL DATA

Mod.	1560 12/10-3/8
------	----------------

## - Fittings Mod. 1560

Product code: 1560 12/10-3/8



### ■ DIMENSIONS

<b>Tube</b>	12/10
<b>A</b>	G 3/8
<b>C1 (mm)</b>	8.5
<b>H (mm)</b>	8.0
<b>I (mm)</b>	18.0
<b>L (mm)</b>	38.0
<b>R (mm)</b>	20.0
<b>SW (mm)</b>	17
<b>SW1 (mm)</b>	19
<b>SW2 (mm)</b>	19