

Compact minicylinder - Series 14

Product code: 14N1M06B10

Datasheet creation date: 19/05/2026 09:11

Check the most updated document online [click here](#)

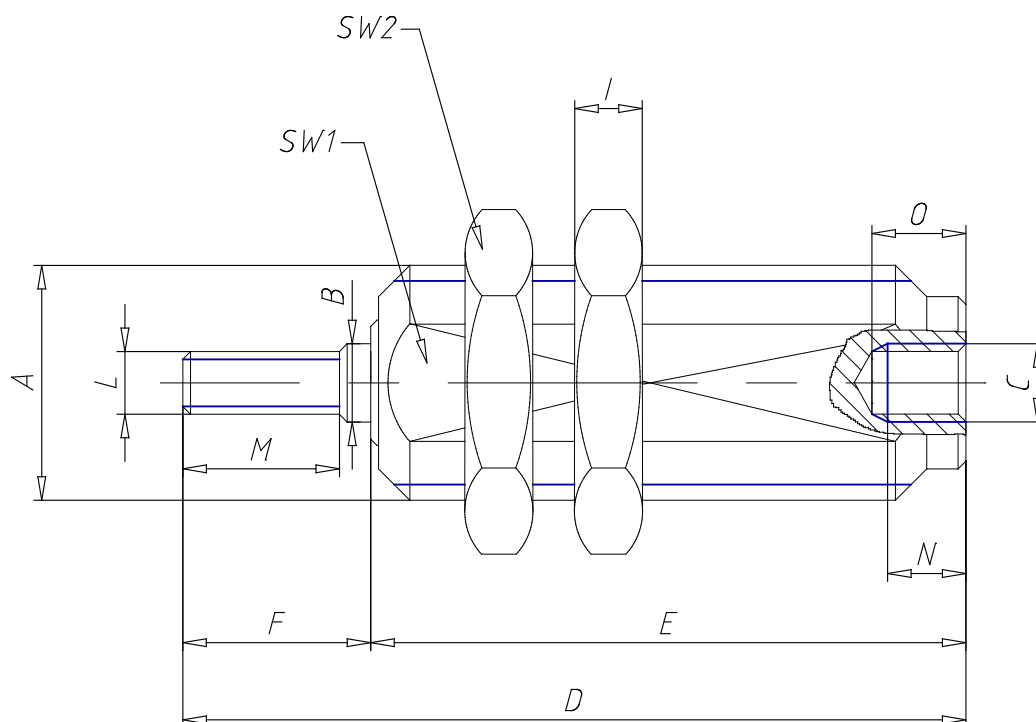


TECHNICAL DATA

Series	14
Version	N = non magnetic
Operation	1 = single acting
Connection type	M = M5 thread
Diameter (mm)	6
Construction	B = threaded rod
Stroke (mm)	10

Compact minicylinder - Series 14

Product code: 14N1M06B10



DIMENSIONS

A	M10x1
Ø B (mm)	3
C (mm)	4/2
D (mm)	40.0
E (mm)	31.0
F (mm)	9
SW1 (mm)	9
SW2 (mm)	12
I (mm)	3
L	M3
M (mm)	7
N (mm)	5
O (mm)	6