

Compact minicylinder - Series 14

Product code: 14N1M06A05

Datasheet creation date: 19/05/2026 08:34

Check the most updated document online [click here](#)

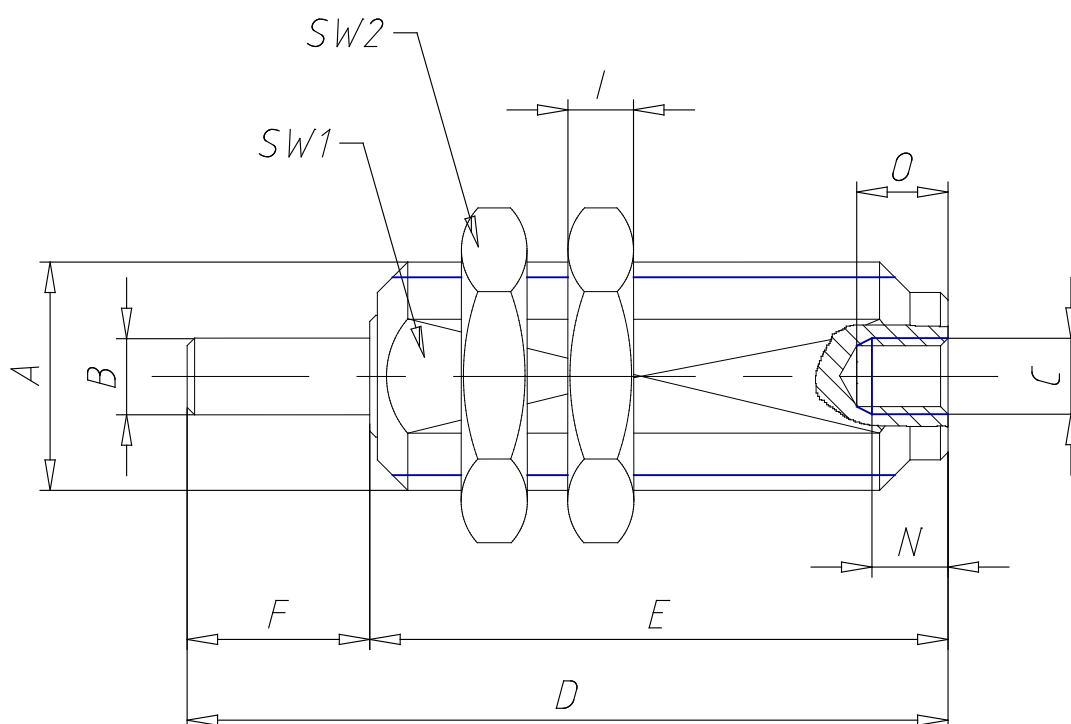


TECHNICAL DATA

| | |
|------------------------|------------------------------------|
| Series | 14 |
| Version | N = non magnetic |
| Operation | 1 = single acting |
| Connection type | M = M5 thread |
| Diameter (mm) | 6 |
| Construction | A = non-threaded smooth piston rod |
| Stroke (mm) | 5 |

Compact minicylinder - Series 14

Product code: 14N1M06A05



DIMENSIONS

| | |
|-----------------|-------|
| A | M10x1 |
| Ø B (mm) | 3 |
| C (mm) | 4/2 |
| D (mm) | 28.0 |
| E (mm) | 23.0 |
| F (mm) | 5 |
| SW1 (mm) | 9 |
| SW2 (mm) | 12 |
| I (mm) | 3 |
| L | - |
| M (mm) | 7 |
| N (mm) | 5 |
| O (mm) | 6 |