

## Mechanically operated valves - Series 1 and 3 / 138-955

Product code: 138-955

Datasheet creation date: 19/05/2026 08:50

Check the most updated document online [click here](#)

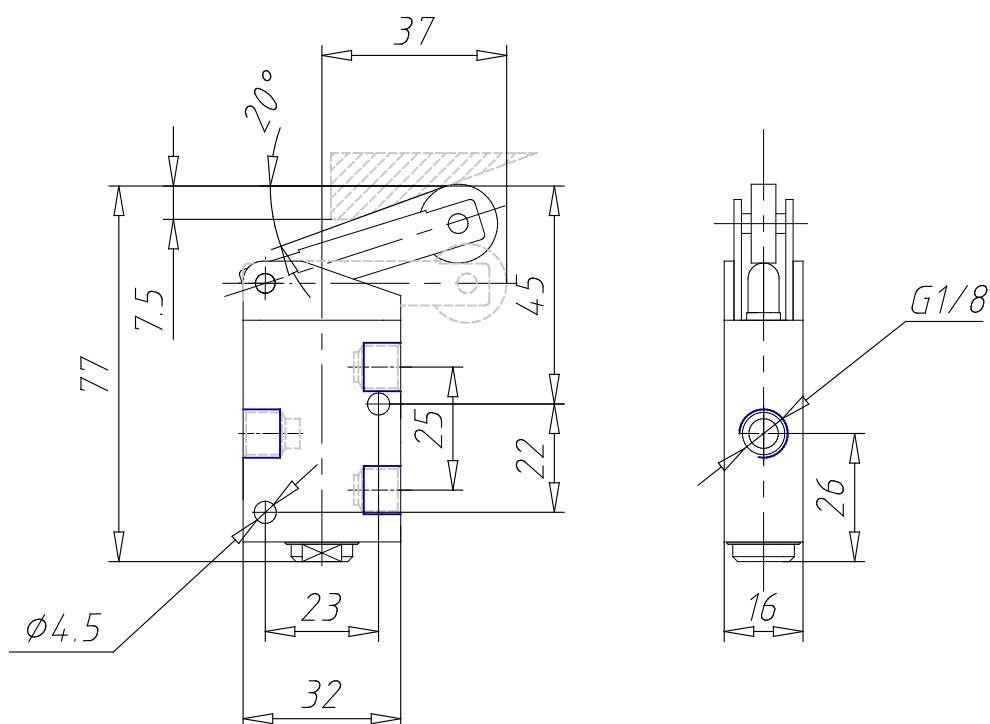


### TECHNICAL DATA

<b>Mod.</b>	138-955
<b>Operating pressure (bar)</b>	0÷10 bar
<b>Flow rate</b>	500NL/min
<b>Actuating force</b>	36N
<b>Activity</b>	Actuating lever / roller

## Mechanically operated valves - Series 1 and 3 / 138-955

Product code: 138-955



### DIMENSIONS

<b>Mod.</b>	138-955
<b>Operating pressure (bar)</b>	0÷10 bar
<b>Flow rate</b>	500NL/min
<b>Actuating force</b>	36N
<b>Activity</b>	Actuating lever / roller