

## Mechanically operated valves - Series 1 and 3 / 134-945

Product code: 134-945

Datasheet creation date: 19/05/2026 17:10

Check the most updated document online [click here](#)

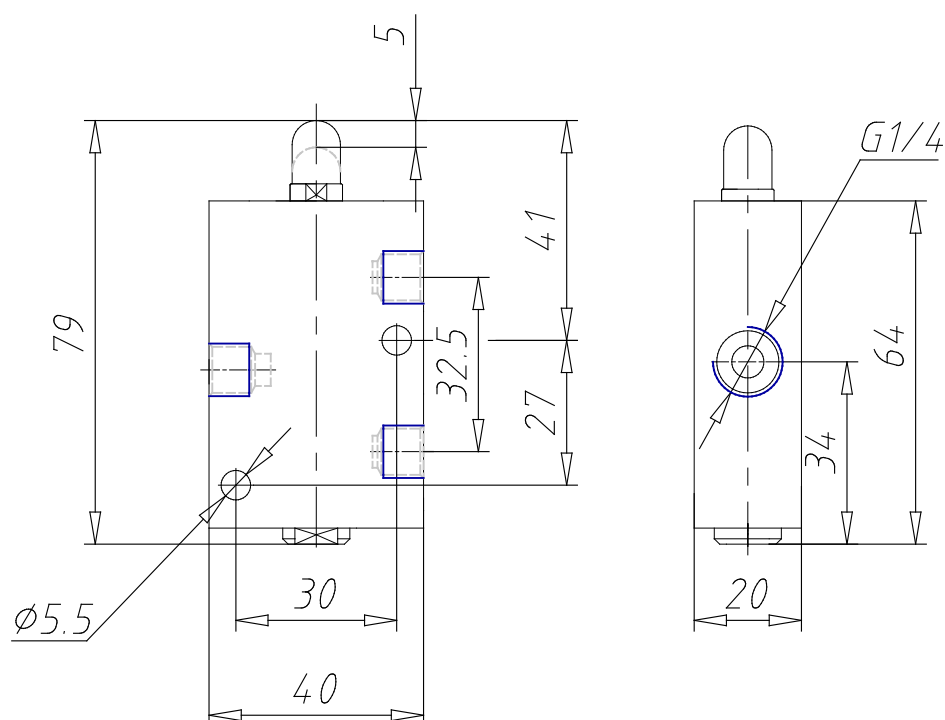


### TECHNICAL DATA

<b>Mod.</b>	134-945
<b>Operating pressure (bar)</b>	0÷10 bar
<b>Flow rate</b>	1250NL/min
<b>Actuating force</b>	64N
<b>Activity</b>	Actuating plunger

## Mechanically operated valves - Series 1 and 3 / 134-945

Product code: 134-945



### DIMENSIONS

<b>Mod.</b>	134-945
<b>Operating pressure (bar)</b>	0÷10 bar
<b>Flow rate</b>	1250NL/min
<b>Actuating force</b>	64N
<b>Activity</b>	Actuating plunger