

## Connectors (A80) - Mod. 124

Product code: 124-800

Datasheet creation date: 19/05/2026 08:32

Check the most updated document online [click here](#)

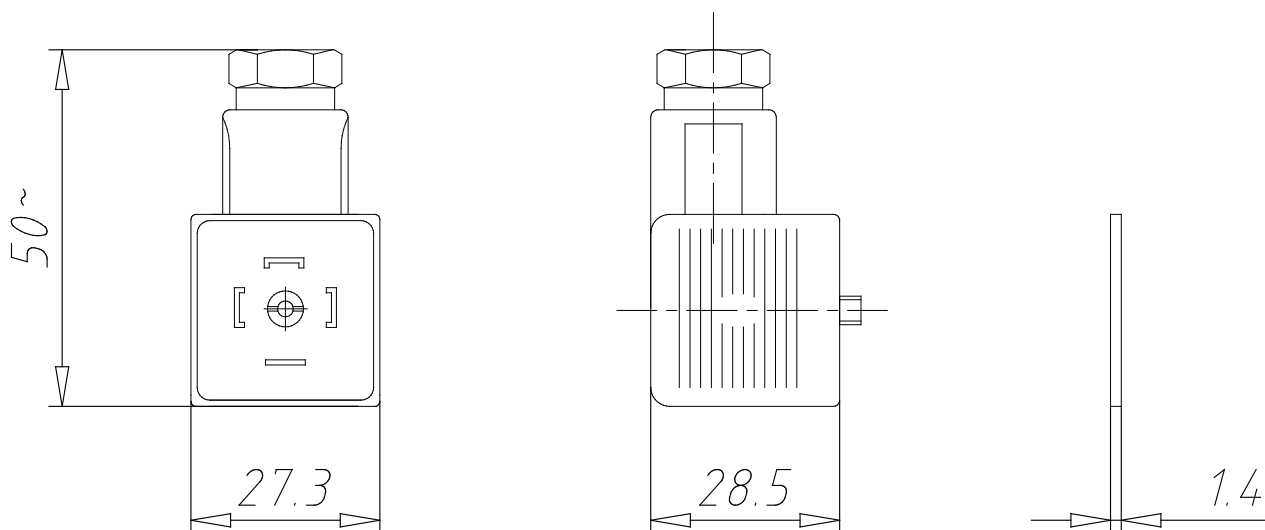


### TECHNICAL DATA

<b>Mod.</b>	124-800
<b>Description</b>	Connector, without electronics
<b>Colour</b>	Black
<b>Working (V)</b>	-
<b>Cable holding</b>	PG9/PG11
<b>Tightening torque</b>	0.5Nm

## Connectors (A80) - Mod. 124

Product code: 124-800



### DIMENSIONS

<b>Mod.</b>	124-800
<b>Description</b>	Connector, without electronics
<b>Colour</b>	Black
<b>Working (V)</b>	-
<b>Cable holding</b>	PG9/PG11
<b>Tightening torque</b>	0.5Nm