

- Fittings Mod. 1170

Product code: 1170 8-1/8

Datasheet creation date: 19/05/2026 17:58

Check the most updated document online [click here](#)

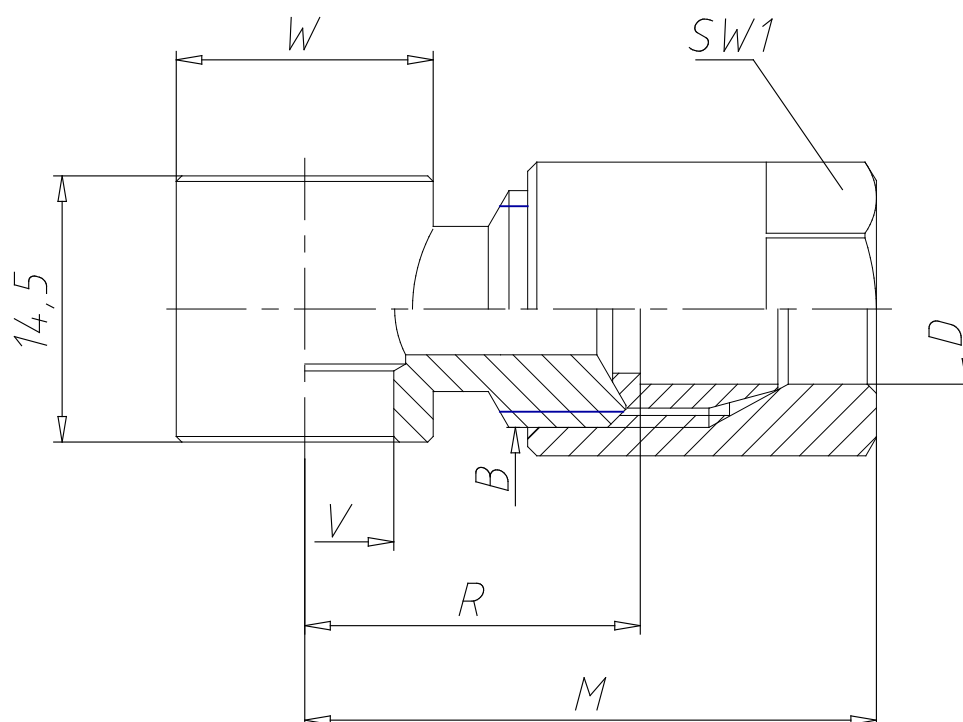


TECHNICAL DATA

Mod.	1170 8-1/8
------	------------

- Fittings Mod. 1170

Product code: 1170 8-1/8



DIMENSIONS

D (mm)	8
B	1/4
R (mm)	18.0
M (mm)	31.0
V (mm)	9.8
W (mm)	Ø14
SW1 (mm)	14
Assembly possible on	Assemblare con Mod. 1635.