

GS 3 series, DN 15 up to DN 200

Pneumatic piston operated stop valve for switching of neutral through to highly aggressive media in process engineering, chemical industry and for plant equipment.

- Space saving wafer-type construction
- Lowest possible weight (especially in larger sizes)
- Low operation noise level
- Control of high differential pressures with small actuators
- Greatly reduced energy consumption rates due to short strokes and low actuating force
- High Kvs-values



Technical Information

Design	flangeless, wafer-type construction further versions see data sheet 8040/41-GS3		
Nominal size	DN 15 up to DN 200		
Nominal pressure acc. DIN 2401 for flanges with facing type B	PN 40 (fits also to PN 10-25) PN 16	DN 15 - DN 150 DN 200	
Nominal pressure acc. ANSI for flanges acc. ASME B16.5 RF	ANSI 150 ANSI 300	DN 15 - DN 200 DN 15 - DN 150	
Nominal pressure acc. JIS for „raised face“ flanges	10K 20K	DN 15 - DN 50 DN 15 - DN 40	
Media temperature	Versions from -60°C up to +350°C		
Ambient temperature	-10°C up to +100°C		
Pilot pressure	maximum 10 bar (higher on demand)		
Leakage (% of Kvs) EN 12266-1	disc pair carbon-stainless steel < 0,0001 D	disc pair SFC < 0,0005 E	disc pair STN 2 < 0,001 E
Specific leakage rate shaft and body sealing	ISO FE-BH-CC3-SSA0-t(-40°C/+350°C)-PN40-ISO 15848-1		

* With DN15 with reduction of less than 25%, different leakage rates possible.
K_{vs}-values see data sheet 8001.

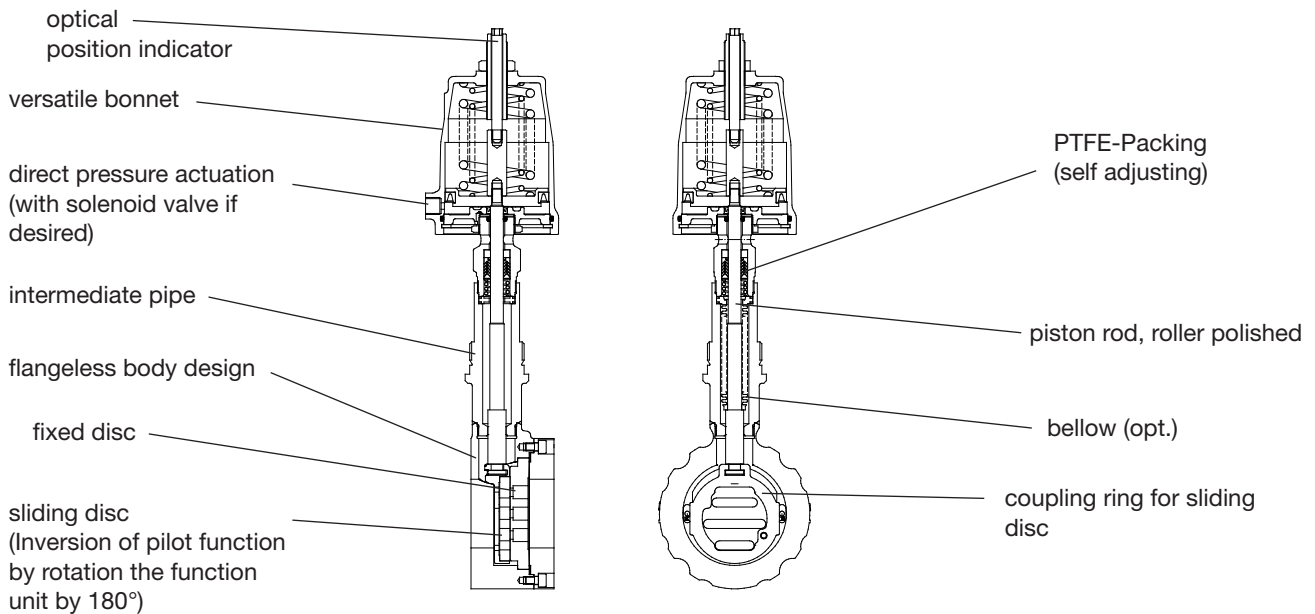
Options

- stainless steel bellows
- electrical position indicator
 - inductive switches
 - contact switches
 - manual operation
- pilot valve
 - 230 V AC
 - 24 V DC
- AS-I control head
- complete stainless-steel version
- version free of oil and grease

Fluid temperature

Rating	PN40	PN 16	PN 100	ANSI 150	ANSI 300	ANSI 600
Body material cpl. stainless steel						
Tmin [°C]	-60	-60	-60	-29	-29	-29
Tmax [°C]	350	350	350	350	350	350
Body material cpl. carbon steel						
Tmin [°C]	-60	-60	-10	-20	-20	-10
Tmax [°C]	300	300	300	300	300	300
Body material carbon steel with stainless steel body cover						
Tmin [°C]	-60	-60	-10	-20	-20	-20
Tmax [°C]	350	350	350	350	350	350

Stop Valve 8040



Materials

Body	stainless steel 1.4581 / 1.4571 or 1.4408	carbon steel 1.0619 / 1.0570
Bodycover	stainless steel 1.4571 or 1.4404	carbon steel 1.0570
Bonnet	brass plated (actuator ø 50 mm, ø 80 mm)	
	aluminium corrosion proof (actuator ø 125 mm)	
Springs	stainless steel 1.4301 (actuator ø 50 mm, ø 80 mm)	
	spring steel wire C, coated (actuator ø 125 mm)	
Packing	PTFE carbon filled (spring 1.4310)	
Valve stem	stainless steel 1.4571, roller burnished	
Bellow	stainless steel 1.4571	
Fixed plate	stainless steel 1.4571, plated	STN2-disc
Sliding disc	standard:	SFC-disc
	special carbon material	STN2-disc
Coupling ring for disc	stainless steel 1.4581	

Admissible differential pressures (For temperatures of up to 120°C)

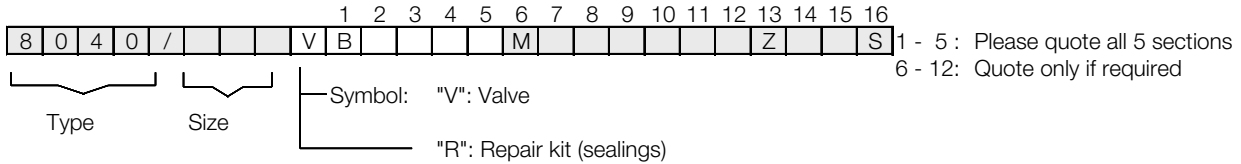
For temperatures of 120°C and above: obey application limits !

DN	actuator	Disc pair carbon/SFC - stainless steel	
		max. working pressure (bar)	required pilot pressure (bar)
15	50	33,2	3,7
20	50	28,8	3,7
25	50	24,2	3,7
32	50	19,8	3,8
40	50	15	4,2
50	50	9,8	4,8
65	50	8,3	5
80	50	5,3	5,2
100	50	3,4	5,4
125	50	2,3	5,5
150	50	1,7	5,6
15	80	51,1	3
20	80	51,1	3
25	80	51,1	3
32	80	51,1	3,1
40	80	40,1	3,6
50	80	26,3	4,1
65	80	22,1	4,2
80	80	14,1	4,5
100	80	9	4,7
125	80	6,1	4,8
150	80	4,6	4,8
200	80	2,6	4,9
15	125	51,1	1,7
20	125	51,1	1,7
25	125	51,1	1,7
32	125	51,1	1,8
40	125	51,1	2
50	125	38,6	2,3
65	125	32,5	2,4
80	125	20,6	2,6
100	125	13,2	2,7
125	125	9	2,7
150	125	6,7	2,7
200	125	3,9	2,8

DN	actuator	STN2-disc pair	
		max. working pressure (bar)	required pilot pressure (bar)
15	50	23,6	3,7
20	50	18,2	4
25	50	13,6	4,4
32	50	10,1	4,6
40	50	6,9	4,9
50	50	4,1	5,3
65	50	3,4	5,4
80	50	2,1	5,5
100	50	1,3	5,6
125	50	-1	-1
150	50	-1	-1
15	80	51,1	3
20	80	48,6	3,3
25	80	36,3	3,7
32	80	27	4
40	80	18,6	4,2
50	80	11,1	4,6
65	80	9,1	4,6
80	80	5,5	4,7
100	80	3,4	4,8
125	80	2,3	4,9
150	80	1,7	4,9
200	80	-1	-1
15	125	51,1	1,7
20	125	51,1	1,9
25	125	51,1	2,1
32	125	39,6	2,3
40	125	27,2	2,4
50	125	16,3	2,6
65	125	13,3	2,6
80	125	8,1	2,7
100	125	5	2,8
125	125	3,3	2,8
150	125	2,5	2,8
200	125	-1	-1

	Upper limits for admissible pressures in bar			
	PN16	PN40	ANSI150	ANSI 300
P max. carbon steel	16	40	19,6	51,1
P max. stainless steel			19,0	49,6

Ordering Number System



1. Type	2. Connection	3. Body material	4. Safety position	5. Actuator	6. Special versions	7. Springs	8. Stem sealing
B GS stop valve type 8040 (long design)	E GS3-flangeless design acc. ANSI 150 F GS3-flangeless design acc. ANSI 300 G GS3-flangeless design acc. DIN PN16/40	0 carbon steel 1.0619 1 stainless steel 1.4581 /1.4404 or 1.4408 2 carbon steel 1.0619 reduced design 3 stainless steel 1.4581 /1.4408 reduced design	0 spring closes 1 spring opens 3 double acting	0 piston 50 mm 1 piston 80 mm 2 piston 125 mm	M State, if further sections are quoted A groove and groove acc. DIN EN1092-1 C groove and tongue acc. DIN EN1092-1 E 2x lowered face acc. DIN EN1092-1 H lowered and raised face acc. DIN EN1092-1	- standard 1 one spring 3 three springs	- PTFE-packing, self adjusting (standard) additional bellows 1.4571 1
9. Moving disc	10. Fixed plate	11. Kvs-values	12. Characteristic	13. Accessories	14. Switches etc.	15. Pilot valves	16. Special versions
- carbon material 9 STN2 S SFC	- stainless steel 1.4581, hard-chrome plated 1 STN2 (only in combination with the position "9" STN2-disc)	- 100% (Stand.) A red. to 63% 1 red. to 40% B red. to 25% 2 red. to 16% C red. to 10% 3 red. to 6,3% 4 red. to 2,5% 5 red. to 1% 6 red. to 20% 7 red. to 12% 8 red. to 2% 9 red. to 0,4%	- linear 1 equal percentage	Z accessories M el. position indicator (cable bushing) N el. position indicator (plug connection)	- without 1 one micro switch 2 two micro switches 3 manual operation 4 stroke limitation 8 two inductive switches 10-36 VDC PNP P one inductive switch 10-36 VDC PNP	- without 6 pilot valve 230 VAC 7 pilot valve 24 VDC	S further special versions

Ordering example: 8040/050VBG100M-1 - - - -Z-6
 GS3-stop valve, long design 8040, DN 50, PN10/40, stainless steel, NC, actuator Ø 50 mm, with bellow, Disc pair: carbon material - stainless steel 1.4571 coated, lineare characteristics 100 %, pilot valve 230 V AC.

Application limitations for GS3 valves in stainless steel

These pressure must not be exceeded for GS-valves from the GS3-series made of stainless steel, even though the actuator power might allow it.

PN40

DN	Sliding unit: carbon/SFC - stainless steel, coated						Sliding unit: STN2					
	max. admissible pressures for GS3-valves in stainless steel						max. admissible pressures for GS3-valves in stainless steel					
	100°C	150°C	200°C	250°C	300°C	350°C	100°C	150°C	200°C	250°C	300°C	350°C
15-32	40	40	40	40	40	40	40	40	40	40	40	40
40	40	40	40	40	40	40	40	40	40	40	40	37
50	40	40	40	40	40	40	40	40	40	40	40	40
65	40	40	40	40	40	40	40	40	40	40	37	32
80	40	40	40	40	40	40	36	34	33	26	22	19
100	33	33	33	33	33	33	32	31	30	24	20	17
125	23	23	23	23	23	23	21	21	19	16	13	11
150	16	16	16	16	16	16	15	15	14	11	9	8
200 (only PN16)	16	16	15	13	12	11	-	-	-	-	-	-
250 (only PN16)	10	9	9	8	7	6	-	-	-	-	-	-

Limitation for SFC-sliding discs: 300°C

PN100

DN	Sliding unit: carbon/SFC - stainless steel, coated						Sliding unit: STN2					
	max. admissible pressures for GS3-valves in stainless steel						max. admissible pressures for GS3-valves in stainless steel					
	100°C	150°C	200°C	250°C	300°C	350°C	100°C	150°C	200°C	250°C	300°C	350°C
15	100	100	100	93	84	79	100	100	100	93	84	79
20	100	100	89	81	73	68	100	100	89	81	73	68
25	88	81	70	63	57	54	88	81	70	63	57	54
32	100	93	80	73	65	62	100	93	80	73	65	60
40	88	81	70	63	57	54	72	69	65	53	43	37
50	100	100	100	100	100	94	77	73	70	56	46	40
65	80	80	80	79	71	67	62	59	56	45	37	32
80	48	48	48	48	48	44	36	34	33	26	22	19

Limitation for SFC-sliding discs: 300°C

ANSI150

DN	Sliding unit: carbon/SFC - stainless steel, coated								Sliding unit: STN2							
	max. admissible pressures for GS3-valves in stainless steel								max. admissible pressures for GS3-valves in stainless steel							
	38°C	50°C	100°C	150°C	200°C	250°C	300°C	350°C	38°C	50°C	100°C	150°C	200°C	250°C	300°C	350°C
15-125	19,0	18,4	16,2	14,8	13,7	12,1	10,2	8,4	19,0	18,4	16,2	14,8	13,7	12,1	10,2	8,4
150	16,0	16,0	16,0	14,8	13,7	12,1	10,2	8,4	16,2	16,2	16,2	14,8	13,7	11,8	9,7	8,4
200	16,0	16,0	16,0	14,8	13,7	12,1	10,2	8,4	-	-	-	-	-	-	-	-
250	10,4	10,4	10,4	9,9	9,4	8,4	7,4	6,8	-	-	-	-	-	-	-	-

Limitation for SFC-sliding discs: 300°C

ANSI300

DN	Sliding unit: carbon/SFC - stainless steel, coated								Sliding unit: STN2							
	max. admissible pressures for GS3-valves in stainless steel								max. admissible pressures for GS3-valves in stainless steel							
	38°C	50°C	100°C	150°C	200°C	250°C	300°C	350°C	38°C	50°C	100°C	150°C	200°C	250°C	300°C	350°C
15-65	49,6	48,1	42,2	38,5	35,7	33,4	31,6	30,3	49,6	48,1	42,2	38,5	35,7	33,4	31,6	30,3
80	48,0	48,0	42,2	38,5	35,7	33,4	31,6	30,3	36,6	36,6	36,6	34,8	33,0	26,8	22,0	19,0
100	33,0	33,0	33,0	33,0	33,0	33,0	31,6	30,3	33,0	33,0	33,0	31,7	30,1	24,4	20,1	17,3
125	23,0	23,0	23,0	23,0	23,0	23,0	23,0	23,0	22,0	22,0	22,0	21,0	19,9	16,1	13,2	11,5
150	16,0	16,0	16,0	16,0	16,0	16,0	16,0	16,0	16,0	16,0	16,0	15,4	14,6	11,8	9,7	8,4

Limitation for SFC-sliding discs: 300°C

ANSI600

DN	Sliding unit: carbon/SFC - stainless steel, coated								Sliding unit: STN2							
	max. admissible pressures for GS3-valves in stainless steel								max. admissible pressures for GS3-valves in stainless steel							
	38°C	50°C	100°C	150°C	200°C	250°C	300°C	350°C	38°C	50°C	100°C	150°C	200°C	250°C	300°C	350°C
15-20	99,3	96,2	84,4	77,0	71,3	66,8	63,2	60,7	99,3	96,2	84,4	77,0	71,3	66,8	63,2	60,7
25	88,0	88,0	84,4	77,0	70,1	63,7	57,3	54,2	88,0	88,0	84,4	77,0	70,1	63,7	57,3	54,2
32	99,3	96,2	84,4	77,0	71,3	66,8	63,2	60,7	99,3	96,2	84,4	77,0	71,3	66,8	63,2	60,2
40	88,0	88,0	84,4	77,0	70,1	63,7	57,3	54,2	72,5	72,5	72,5	69,0	65,5	53,1	43,6	37,7
50	99,3	96,2	84,4	77,0	71,3	66,8	63,2	60,7	77,7	77,7	77,7	73,9	70,2	56,9	46,7	40,4
65	80,0	80,0	80,0	77,0	71,3	66,8	63,2	60,7	62,5	62,5	41,7	59,5	56,4	45,8	37,6	32,5
80	48,0	48,0	48,0	48,0	48,0	48,0	48,0	44,5	36,6	36,6	36,6	34,8	33,0	26,8	22,0	19,0

Limitation for SFC-sliding discs: 300°C

Application limitations for GS3 valves in carbon steel

These pressure must not be exceeded for GS-valves from the GS3-series made of carbon steel, even though the actuator power might allow it.

PN40

DN	Sliding unit: carbon/SFC - stainless steel, coated						Sliding unit: STN2					
	max. admissible pressures for GS3-valves in carbon steel						max. admissible pressures for GS3-valves in carbon steel					
	100°C	150°C	200°C	250°C	300°C	350°C	100°C	150°C	200°C	250°C	300°C	350°C
15-50	40	40	40	40	40	40	40	40	40	40	40	40
65	40	40	40	40	40	40	40	40	40	37	32	
80	40	40	40	40	40	40	36	34	33	26	22	19
100	33	33	33	33	33	33	33	31	30	24	20	17
125	23	23	23	23	23	23	22	21	19	16	13	11
150	16	16	16	16	16	16	16	15	14	11	9	8
200 (nur PN 16)	16	16	15	13	12	11	-	-	-	-	-	-
250 (nur PN 16)	10	9	9	8	7	6	-	-	-	-	-	-

Limitation for SFC-sliding discs: 300°C

PN100

DN	Sliding unit: carbon/SFC - stainless steel, coated						Sliding unit: STN2					
	max. admissible pressures for GS3-valves in carbon steel						max. admissible pressures for GS3-valves in carbon steel					
	100°C	150°C	200°C	250°C	300°C	350°C	100°C	150°C	200°C	250°C	300°C	350°C
15 - 20	100	100	100	100	100	100	100	100	100	100	100	100
25	100	100	100	100	100	94	100	100	100	94	87	
32	100	100	100	100	100	100	100	100	100	84	69	60
40	100	100	100	100	100	94	72	69	65	53	43	37
50	100	100	100	100	100	100	77	73	70	56	46	40
65	80	80	80	80	80	80	62	59	56	45	37	32
80	48	48	48	48	48	44	36	34	33	26	22	19

Limitation for SFC-sliding discs: 300°C

ANSI150

DN	Sliding unit: carbon/SFC - stainless steel, coated								Sliding unit: STN2							
	max. admissible pressures for GS3-valves in carbon steel								max. admissible pressures for GS3-valves in carbon steel							
	38°C	50°C	100°C	150°C	200°C	250°C	300°C	350°C	38°C	50°C	100°C	150°C	200°C	250°C	300°C	350°C
15-125	19,6	19,2	17,7	15,8	13,8	12,1	10,2	8,4	19,6	19,2	17,7	15,8	13,8	12,1	10,2	8,4
150	16,0	16,0	16,0	15,8	13,8	12,1	10,2	8,4	16,2	16,2	16,2	15,4	13,8	11,8	9,7	8,0
200	16,0	16,0	16,0	15,8	13,8	12,1	10,2	8,4	-	-	-	-	-	-	-	-
250	10,5	10,5	10,5	9,9	9,4	8,4	7,4	6,0	-	-	-	-	-	-	-	-

Limitation for SFC-sliding discs: 300°C

ANSI300

DN	Sliding unit: carbon/SFC - stainless steel, coated								Sliding unit: STN2							
	max. admissible pressures for GS3-valves in carbon steel								max. admissible pressures for GS3-valves in carbon steel							
	38°C	50°C	100°C	150°C	200°C	250°C	300°C	350°C	38°C	50°C	100°C	150°C	200°C	250°C	300°C	350°C
15-50	51,1	50,1	46,6	45,1	43,8	41,9	19,8	40,0	51,1	50,1	46,6	45,1	43,8	41,9	39,8	37,6
65	51,1	50,1	46,6	45,1	43,8	41,9	19,8	40,0	41,7	41,7	41,7	39,7	37,6	33,5	37,6	32,5
80	48,0	48,0	46,6	45,1	43,8	41,9	19,8	40,0	36,6	36,6	36,6	34,8	33,0	26,8	22,0	19,0
100	33,0	33,0	33,0	33,0	33,0	33,0	19,8	33,0	33,0	33,0	33,0	31,7	30,1	24,4	20,0	17,0
125	23,0	23,0	23,0	23,0	23,0	23,0	19,8	23,0	22,1	22,1	22,1	21,0	19,9	16,1	13,2	11,0
150	16,0	16,0	16,0	16,0	16,0	16,0	16,0	16,0	16,0	16,0	16,0	15,4	14,6	11,8	9,7	8,0

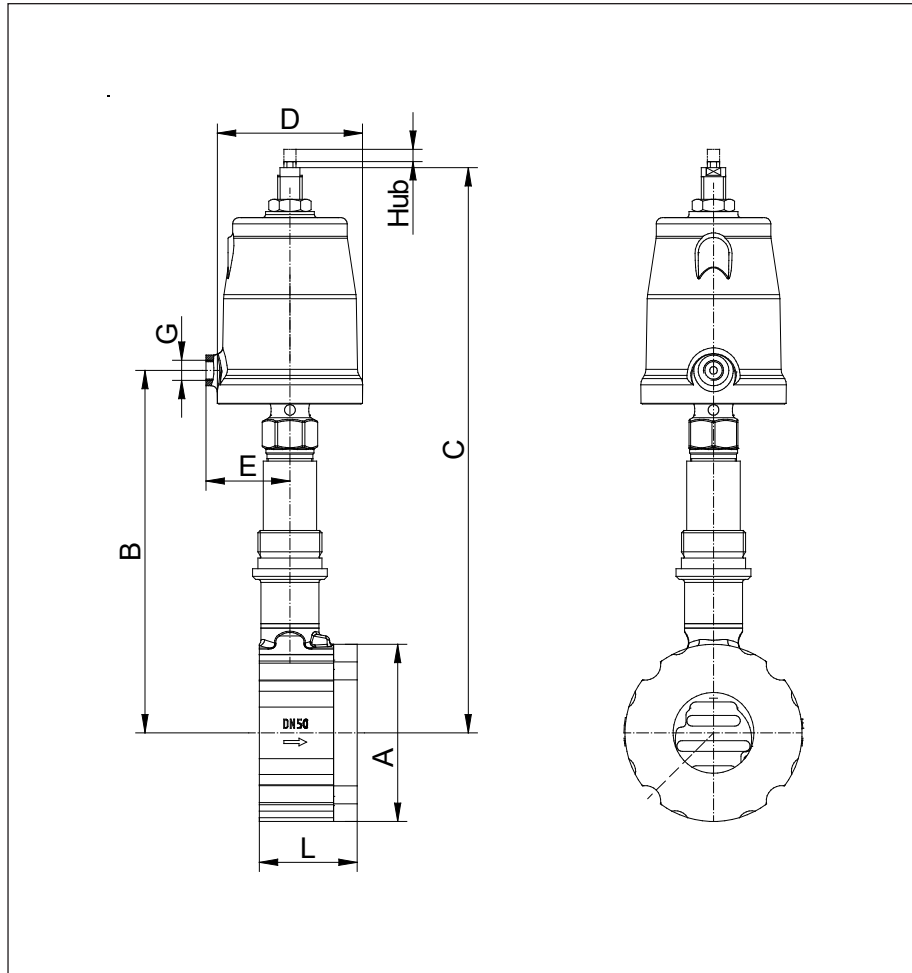
Limitation for SFC-sliding discs: 300°C

ANSI600

DN	Sliding unit: carbon/SFC - stainless steel, coated								Sliding unit: STN2							
	max. admissible pressures for GS3-valves in carbon steel								max. admissible pressures for GS3-valves in carbon steel							
	38°C	50°C	100°C	150°C	200°C	250°C	300°C	350°C	38°C	50°C	100°C	150°C	200°C	250°C	300°C	350°C
15-25	102,1	100,2	93,2	90,2	87,6	83,9	79,6	75,1	102,1	100,2	93,2	90,2	87,6	83,9	79,6	75,1
32	102,1	100,2	93,2	90,2	87,6	83,9	79,6	75,1	102,1	100,2	93,2	90,2	87,6	83,9	69,6	60,0
40	100,0	100,0	93,2	90,2	87,6	83,9	79,6	75,1	72,5	72,5	72,5	69,0	65,5	53,1	43,6	37,0
50	100,0	100,0	93,2	90,2	87,6	83,9	79,6	75,1	77,7	77,7	77,7	73,9	70,2	56,9	46,7	40,0
65	80,0	80,0	80,0	80,0	80,0	80,0	79,6	75,1	62,5	62,5	62,5	59,5	56,4	45,8	37,6	32,0
80	48,0	48,0	48,0	48,0	48,0	48,0	48,0	44,0	36,6	36,6	36,6	36,8	33,0	26,8	22,0	19,0

Limitation for SFC-sliding discs: 300°C

Dimensions and Weights



DN	A	B actuator			C max actuator			L	Weight kg actuator			Stroke H
		50	80	125	50	80	125		50	80	125	
15	64	209	213	215	306	344	362	56	3,4	5,6	7	6
20	72	213	217	219	310	348	366	56	3,6	5,8	7,2	6
25	82	218	222	224	315	353	371	56	3,9	6,1	7,5	6
32	89	220	224	226	317	355	373	56	4,1	6,3	7,7	6
40	99	226	230	232	323	361	379	56	4,4	6,6	8	6
50	116	234	238	240	333	371	389	64	5,9	8,1	9,5	8
65	138	243	247	249	342	380	398	68	7,4	9,6	11	8
80	153	252	256	258	351	389	407	70	8,6	11	12	8
100	184	265	269	271	364	402	420	75	12	14	15	8,5
125	212	279	283	285	378	416	434	80	14	16	18	8,5
150	242	292	296	298	391	429	447	80	18	20	22	8,5
200	302	320	324	326	419	457	475	93	35	37	38	8,5

Dimension C „reduced design“ shortened by 25,4 mm Dimensions in mm

Actuator mm	D	G	E
50	62	1/8"	34,5
80	96	1/4"	55
125	146	1/4"	80

Dimensions in mm