

GS 3 series - DN 15 up to DN 250

Pneumatic Control Valve for the control and switching of neutral through to highly aggressive media in process engineering, chemical industries and for plant equipment.

- Space saving wafer type construction
- Lowest possible weight
- Quiet operation
- Fast response time
- Control of high differential pressures with small actuators
- Greatly reduced energy consumption rates due to short strokes and low actuating forces on the throttle element
- High Kvs-values



Technical Information

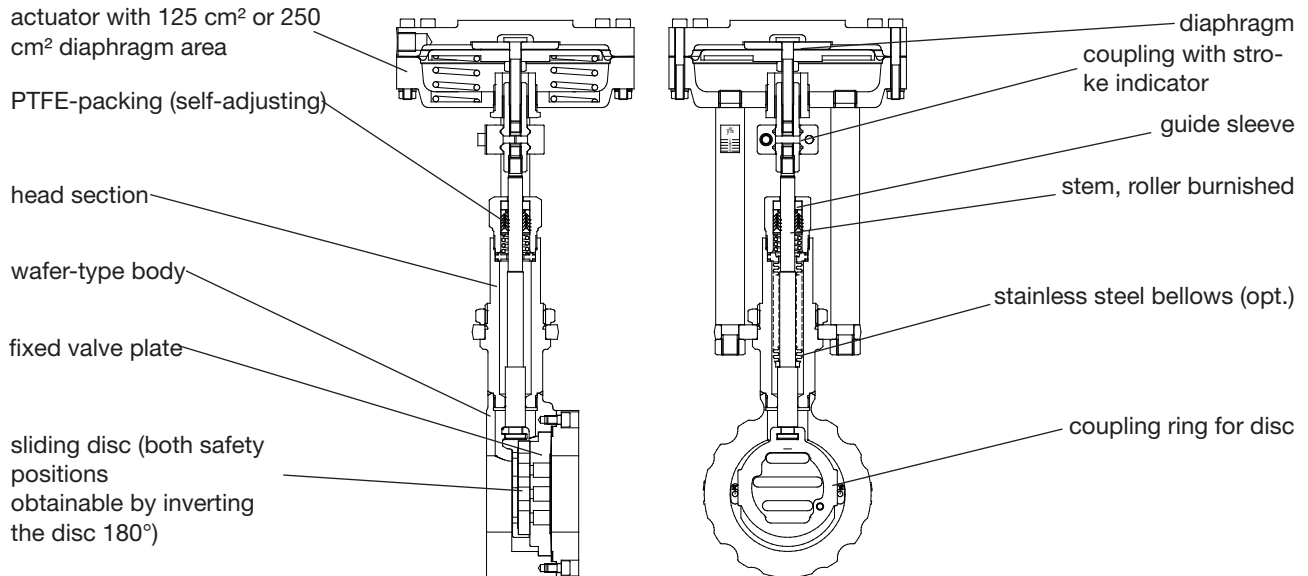
Body design	flangeless, wafer-type construction for flanges acc. DIN EN 1092-1 Form B or ASME B16.5 RF more versions see on data-sheet 8020-GS1		
Nominal sizes	DN 15 to DN 250		
Nominal pressure acc. EN 1333	PN 40 (fits also to PN 10-25) PN 100 PN 16	DN 15 - DN 150 DN 15 - DN 80 DN 200 - DN 250	
Nominal pressure acc. ANSI	ANSI 150 ANSI 300 ANSI 600	DN 15 - DN 250 DN 15 - DN 150 DN 15 - DN 80	
Nominal pressure acc. JIS flanges with raised face	10K 20K	DN 15 - DN 50 DN 15 - DN 40	
Supply air pressure	max. 6 bar		
Media temperature	Versions from -60°C up to 350°C		
Ambient temperature*	standard diaphragm silicone diaphragm	-30°C up to +100°C -50°C up to +100°C	
Rangeability / characteristic	40 : 1 linear / 80 : 1 equal percentage		
Leakage	Disc pair Carbon-stainless steel	Disc pair SFC	Disc pair STN 2
% of Kvs IEC 60534-4 EN 12266-1	< 0,0001 IV-S1 D	< 0,0005 IV-S1 E	< 0,001 IV E
Marking ATEX non electric	II 2G Ex h IIC T6...T1 X Gb II 2D Ex h IIIC 85°C...530°C X Db		
Spezific leakage rate shaft and body sealing	ISO FE - BH - CC3 - SSA0 - t (-40°C / +350 °C) - PN40 - ISO 15848-1		

* Please consider the limitation of use of the positioner!

** With DN15 with reduction of less than 25%, different leakage rates possible.
Kvs-values see data sheet 8001.

Fluid temperature

Rating	PN40	PN 16	PN 100	ANSI 150	ANSI 300	ANSI 600
Body material cpl. stainless steel						
Tmin [°C]	-60	-60	-60	-29	-29	-29
Tmax [°C]	350	350	350	350	350	350
Body material kpl. C-Stahl						
Tmin [°C]	-60	-60	-10	-20	-20	-10
Tmax [°C]	300	300	300	300	300	300



Options

- bellows (stainless steel)
- positione
- pneumatic
- electro-pneumatic
- electro-pneumatic for hazardous location use (EEX ib II C T5/T6)
- limit switches
- position feedback
- manual handwheel

Admissible differential pressures

(For temperatures of up to 120°C with PN-rating up to 38°C with ANSI-rating)

For temperatures of 120°C (PN) or 38°C (ANSI) and above: obey application limits!

Disc pair: carbon - stainless steel coated SFC - stainless steel coated

Actuator size	125 cm ²					250 cm ²				
	0.2 to 1	1.0 to 2	1.5 to 3	1.8 to 3.8	2.1 to 4.5	0.2 to 1	0.8 to 1.4	1.2 to 2.2	1.5 to 2.7	1.7 to 3.2
Spring range (bar)	1	2	3	3.8	4.5	1,2	2,1	3,2	4	4,6
Supply air (bar)	1,2	2,8	4,2	5,2	6,0	1,2	2,1	3,2	4	4,6
DN	Admissible differential pressures in bar									
15	4,4	102,1	102,1	102,1	102,1	18,9	102,1	102,1	102,1	102,1
20	3,8	102,1	102,1	102,1	102,1	16,4	102,1	102,1	102,1	102,1
25	3,2	88 (100)*	88 (102,1)*	88 (102,1)*	88 (102,1)*	13,7	88 (102,1)*	88 (102,1)*	88 (102,1)*	88 (102,1)*
32	2,6	100	102,1	102,1	102,1	11,3	102,1	102,1	102,1	102,1
40	2,0	66	88 (102,1)*	88 (102,1)*	88 (102,1)*	8,5	88 (102,1)*	88 (102,1)*	88 (102,1)*	88 (102,1)*
50	-	36	57	70	84	5,8	63	97	102,1	102,1
65	-	29	45	56	67	4,9	51	78	80	80
80	-	17	26	33	39	3,1	30	45	48	48
100	-	10	16	20	24	-	18	27	33	33
125	-	6,5	10	13	15	-	12	18	22	23
150	-	5	7,5	9	11	-	8,5	13	16	16
200	-	2,5	4,5	5,5	6,5	-	5	7,5	9	10
250	-	1,8	2,8	3,4	4,1	-	2,2	4,7	5,7	6,7
Spring configuration	Code D	Code 2	Code 3	Code 4	Code 5	Code D	Code 2	Code 3	Code 4	Code 5

Standard

*: figures in brackets for bodys of carbon steel

	Upper limits for admissible pressures in bar					
	PN16	PN40	PN100	ANSI150	ANSI 300	ANSI 600
P max. carbon steel	16	40	100	19,6	51,1	102,1
P max. stainless steel				19,0	49,6	99,3

Disc pair: STN 2

Actuator size	125 cm ²					250 cm ²				
	0.2 to 1	1.0 to 2	1.5 to 3	1.8 to 3.8	2.1 to 4.5	0.2 to 1	0.8 to 1.4	1.2 to 2.2	1.5 to 2.7	1.7 to 3.2
Spring range (bar)	1	2	3	3.8	4.5	1,2	2,1	3,2	4	4,6
Supply air (bar)	1,2	2,8	4,2	5,2	6,0	1,2	2,1	3,2	4	4,6
DN	Admissible differential pressures in bar									
15	3,1	102,1	102,1	102,1	102,1	13,4	102,1	102,1	102,1	102,1
20	2,4	57	102,1	102,1	102,1	10,3	102,1	102,1	102,1	102,1
25	1,8	57	88	88 (102,1)*	88 (102,1)*	7,7	88 (102,1)*	88 (102,1)*	88 (102,1)*	88 (102,1)*
32	1,3	38	59	73	87	5,7	66	102,1	102,1	102,1
40	0,9	23	37	45	54	3,9	41	63	72	72
50	-	13	20	25	30	2,4	23	35	42	49
65	-	10	16	20	24	2	18	28	34	40
80	-	6	9	11	14	1,2	10	16	19	23
100	-	3,5	5,5	7	8,5	-	6,5	10	12	14
125	-	2,5	3,5	4,5	5,5	-	4	6,5	8	9
150	-	1,5	2,5	3,5	4	-	3	4,5	5,5	6,5
Spring configuration	Code D	Code 2	Code 3	Code 4	Code 5	Code D	Code 2	Code 3	Code 4	Code 5

Standard

*: figures in brackets for bodys of carbon steel

	Upper limits for admissible pressures in bar					
	PN16	PN40	PN100	ANSI150	ANSI 300	ANSI 600
P max. carbon steel	16	40	100	19,6	51,1	102,1
P max. stainless steel				19,0	49,6	99,3

The supply air pressure stated in the table is the minimum supply air pressure that has to be available. This is valid for the usage without positioner. For the usage with positioner the required supply air pressure is being determined by the adjustment of the positioner. For the standard version it is 4 bar ü. The spring configuration "D" allows the usage of a control valve without positioner but with limited performance. The valve can be controlled directly by a process controller with the norm signal of 0,2 up to 1 bar.

Application limitations for GS3 valves in stainless steel

These pressure must not be exceeded for GS-valves from the GS3-series made of stainless steel, even though the actuator power might allow it.

PN40

DN	Sliding unit: carbon/SFC - stainless steel, coated						Sliding unit: STN2					
	max. admissible pressures for GS3-valves						max. admissible pressures for GS3-valves					
	100°C	150°C	200°C	250°C	300°C	350°C	100°C	150°C	200°C	250°C	300°C	350°C
15-32	40	40	40	40	40	40	40	40	40	40	40	40
40	40	40	40	40	40	40	40	40	40	40	40	37
50	40	40	40	40	40	40	40	40	40	40	40	40
65	40	40	40	40	40	40	40	40	40	40	37	32
80	40	40	40	40	40	40	36	34	33	26	22	19
100	33	33	33	33	33	33	32	31	30	24	20	17
125	23	23	23	23	23	23	21	21	19	16	13	11
150	16	16	16	16	16	16	15	15	14	11	9	8
200 (only PN16)	16	16	15	13	12	11	-	-	-	-	-	-
250 (only PN16)	10	9	9	8	7	6	-	-	-	-	-	-

Limitation for SFC-sliding discs: 300°C

PN100

DN	Sliding unit: carbon/SFC - stainless steel, coated						Sliding unit: STN2					
	max. admissible pressures for GS3-valves						max. admissible pressures for GS3-valves					
	100°C	150°C	200°C	250°C	300°C	350°C	100°C	150°C	200°C	250°C	300°C	350°C
15	100	100	100	93	84	79	100	100	100	93	84	79
20	100	100	89	81	73	68	100	100	89	81	73	68
25	88	81	70	63	57	54	88	81	70	63	57	54
32	100	93	80	73	65	62	100	93	80	73	65	60
40	88	81	70	63	57	54	72	69	65	53	43	37
50	100	100	100	100	100	94	77	73	70	56	46	40
65	80	80	80	79	71	67	62	59	56	45	37	32
80	48	48	48	48	48	44	36	34	33	26	22	19

Limitation for SFC-sliding discs: 300°C

ANSI150

DN	Sliding unit: carbon/SFC - stainless steel, coated								Sliding unit: STN2							
	max. admissible pressures for GS3-valves								max. admissible pressures for GS3-valves							
	38°C	50°C	100°C	150°C	200°C	250°C	300°C	350°C	38°C	50°C	100°C	150°C	200°C	250°C	300°C	350°C
15-125	19,0	18,4	16,2	14,8	13,7	12,1	10,2	8,4	19,0	18,4	16,2	14,8	13,7	12,1	10,2	8,4
150	16,0	16,0	16,0	14,8	13,7	12,1	10,2	8,4	16,2	16,2	16,2	14,8	13,7	11,8	9,7	8,4
200	16,0	16,0	16,0	14,8	13,7	12,1	10,2	8,4	-	-	-	-	-	-	-	-
250	10,4	10,4	10,4	9,9	9,4	8,4	7,4	6,8	-	-	-	-	-	-	-	-

Limitation for SFC-sliding discs: 300°C

ANSI300

DN	Sliding unit: carbon/SFC - stainless steel, coated								Sliding unit: STN2							
	max. admissible pressures for GS3-valves								max. admissible pressures for GS3-valves							
	38°C	50°C	100°C	150°C	200°C	250°C	300°C	350°C	38°C	50°C	100°C	150°C	200°C	250°C	300°C	350°C
15-65	49,6	48,1	42,2	38,5	35,7	33,4	31,6	30,3	49,6	48,1	42,2	38,5	35,7	33,4	31,6	30,3
80	48,0	48,0	42,2	38,5	35,7	33,4	31,6	30,3	36,6	36,6	36,6	34,8	33,0	26,8	22,0	19,0
100	33,0	33,0	33,0	33,0	33,0	33,0	31,6	30,3	33,0	33,0	33,0	31,7	30,1	24,4	20,1	17,3
125	23,0	23,0	23,0	23,0	23,0	23,0	23,0	23,0	22,0	22,0	22,0	21,0	19,9	16,1	13,2	11,5
150	16,0	16,0	16,0	16,0	16,0	16,0	16,0	16,0	16,0	16,0	16,0	15,4	14,6	11,8	9,7	8,4

Limitation for SFC-sliding discs: 300°C

ANSI600

DN	Sliding unit: carbon/SFC - stainless steel, coated								Sliding unit: STN2							
	max. admissible pressures for GS3-valves								max. admissible pressures for GS3-valves							
	38°C	50°C	100°C	150°C	200°C	250°C	300°C	350°C	38°C	50°C	100°C	150°C	200°C	250°C	300°C	350°C
15-20	99,3	96,2	84,4	77,0	71,3	66,8	63,2	60,7	99,3	96,2	84,4	77,0	71,3	66,8	63,2	60,7
25	88,0	88,0	84,4	77,0	70,1	63,7	57,3	54,2	88,0	88,0	84,4	77,0	70,1	63,7	57,3	54,2
32	99,3	96,2	84,4	77,0	71,3	66,8	63,2	60,7	99,3	96,2	84,4	77,0	71,3	66,8	63,2	60,2
40	88,0	88,0	84,4	77,0	70,1	63,7	57,3	54,2	72,5	72,5	72,5	69,0	65,5	53,1	43,6	37,7
50	99,3	96,2	84,4	77,0	71,3	66,8	63,2	60,7	77,7	77,7	77,7	73,9	70,2	56,9	46,7	40,4
65	80,0	80,0	80,0	77,0	71,3	66,8	63,2	60,7	62,5	62,5	41,7	59,5	56,4	45,8	37,6	32,5
80	48,0	48,0	48,0	48,0	48,0	48,0	48,0	44,5	36,6	36,6	36,6	34,8	33,0	26,8	22,0	19,0

Limitation for SFC-sliding discs: 300°C

Application limitations for GS3 valves in carbon steel

These pressure must not be exceeded for GS-valves from the GS3-series made of carbon steel, even though the actuator power might allow it.

PN40

DN	Sliding unit: carbon/SFC - stainless steel, coated						Sliding unit: STN2					
	max. admissible pressures for GS3-valves						max. admissible pressures for GS3-valves					
	100°C	150°C	200°C	250°C	300°C	350°C	100°C	150°C	200°C	250°C	300°C	350°C
15-50	40	40	40	40	40	40	40	40	40	40	40	40
65	40	40	40	40	40	40	40	40	40	40	37	32
80	40	40	40	40	40	40	36	34	33	26	22	19
100	33	33	33	33	33	33	33	31	30	24	20	17
125	23	23	23	23	23	23	22	21	19	16	13	11
150	16	16	16	16	16	16	16	15	14	11	9	8
200 (nur PN 16)	16	16	15	13	12	11	-	-	-	-	-	-
250 (nur PN 16)	10	9	9	8	7	6	-	-	-	-	-	-

Limitation for SFC-sliding discs: 300°C

PN100

DN	Sliding unit: carbon/SFC - stainless steel, coated						Sliding unit: STN2					
	max. admissible pressures for GS3-valves						max. admissible pressures for GS3-valves					
	100°C	150°C	200°C	250°C	300°C	350°C	100°C	150°C	200°C	250°C	300°C	350°C
15 - 20	100	100	100	100	100	100	100	100	100	100	100	100
25	100	100	100	100	100	94	100	100	100	100	94	87
32	100	100	100	100	100	99	100	100	100	84	69	60
40	100	100	100	100	100	94	72	69	65	53	43	37
50	100	100	100	100	100	94	77	73	70	56	46	40
65	80	80	80	80	80	76	62	59	56	45	37	32
80	48	48	48	48	48	44	36	34	33	26	22	19

Limitation for SFC-sliding discs: 300°C

ANSI150

DN	Sliding unit: carbon/SFC - stainless steel, coated								Sliding unit: STN2							
	max. admissible pressures for GS3-valves								max. admissible pressures for GS3-valves							
	38°C	50°C	100°C	150°C	200°C	250°C	300°C	350°C	38°C	50°C	100°C	150°C	200°C	250°C	300°C	350°C
15-125	19,6	19,2	17,7	15,8	13,8	12,1	10,2	8,4	19,6	19,2	17,7	15,8	13,8	12,1	10,2	8,4
150	16,0	16,0	16,0	15,8	13,8	12,1	10,2	8,4	16,2	16,2	16,2	15,4	13,8	11,8	9,7	8,0
200	16,0	16,0	16,0	15,8	13,8	12,1	10,2	8,4	-	-	-	-	-	-	-	-
250	10,5	10,5	10,5	9,9	9,4	8,4	7,4	6,0	-	-	-	-	-	-	-	-

Limitation for SFC-sliding discs: 300°C

ANSI300

DN	Sliding unit: carbon/SFC - stainless steel, coated								Sliding unit: STN2							
	max. admissible pressures for GS3-valves								max. admissible pressures for GS3-valves							
	38°C	50°C	100°C	150°C	200°C	250°C	300°C	350°C	38°C	50°C	100°C	150°C	200°C	250°C	300°C	350°C
15-50	51,1	50,1	46,6	45,1	43,8	41,9	19,8	40,0	51,1	50,1	46,6	45,1	43,8	41,9	39,8	37,6
65	51,1	50,1	46,6	45,1	43,8	41,9	19,8	40,0	41,7	41,7	41,7	39,7	37,6	33,5	37,6	32,5
80	48,0	48,0	46,6	45,1	43,8	41,9	19,8	40,0	36,6	36,6	36,6	34,8	33,0	26,8	22,0	19,0
100	33,0	33,0	33,0	33,0	33,0	33,0	19,8	33,0	33,0	33,0	33,0	31,7	30,1	24,4	20,0	17,0
125	23,0	23,0	23,0	23,0	23,0	23,0	19,8	23,0	22,1	22,1	22,1	21,0	19,9	16,1	13,2	11,0
150	16,0	16,0	16,0	16,0	16,0	16,0	16,0	16,0	16,0	16,0	16,0	15,4	14,6	11,8	9,7	8,0

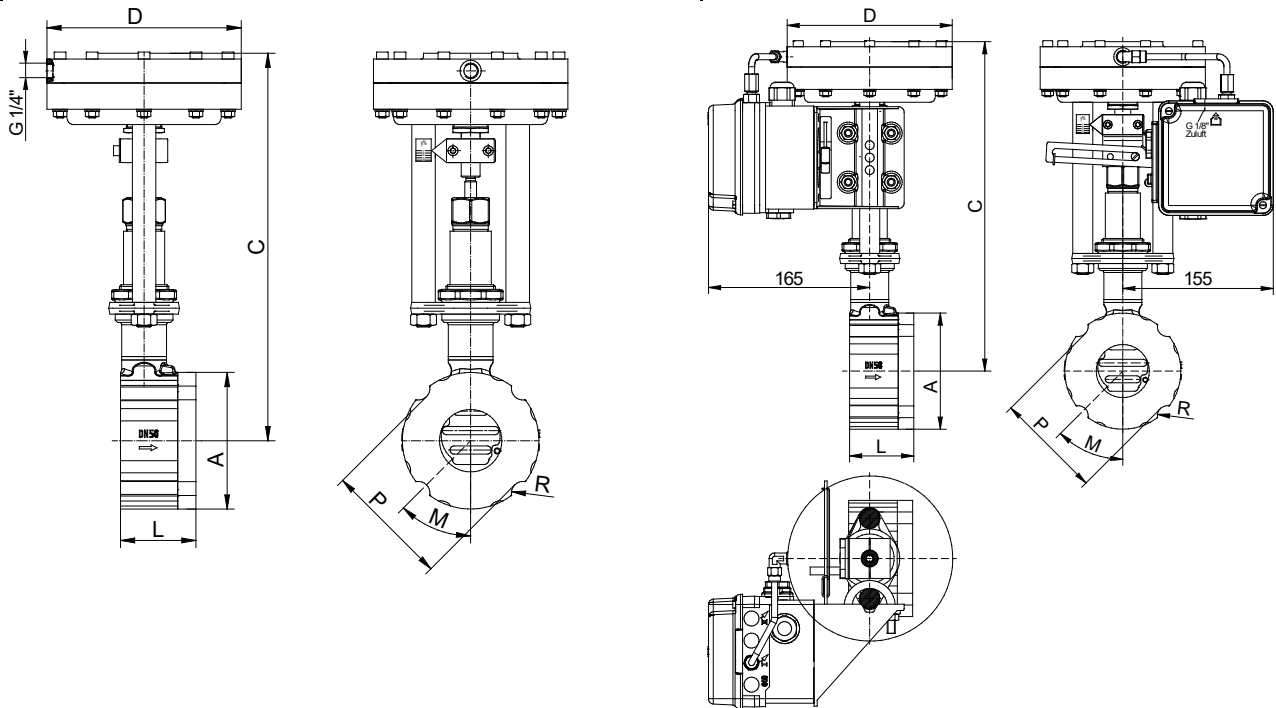
Limitation for SFC-sliding discs: 300°C

ANSI600

DN	Sliding unit: carbon/SFC - stainless steel, coated								Sliding unit: STN2							
	max. admissible pressures for GS3-valves								max. admissible pressures for GS3-valves							
	38°C	50°C	100°C	150°C	200°C	250°C	300°C	350°C	38°C	50°C	100°C	150°C	200°C	250°C	300°C	350°C
15-25	102,1	100,2	93,2	90,2	87,6	83,9	79,6	75,1	102,1	100,2	93,2	90,2	87,6	83,9	79,6	75,1
32	102,1	100,2	93,2	90,2	87,6	83,9	79,6	75,1	102,1	100,2	93,2	90,2	87,6	83,9	69,6	60,0
40	100,0	100,0	93,2	90,2	87,6	83,9	79,6	75,1	72,5	72,5	72,5	69,0	65,5	53,1	43,6	37,0
50	100,0	100,0	93,2	90,2	87,6	83,9	79,6	75,1	77,7	77,7	77,7	73,9	70,2	56,9	46,7	40,0
65	80,0	80,0	80,0	80,0	80,0	80,0	79,6	75,1	62,5	62,5	62,5	59,5	56,4	45,8	37,6	32,0
80	48,0	48,0	48,0	48,0	48,0	48,0	48,0	44,0	36,6	36,6	36,6	36,8	33,0	26,8	22,0	19,0

Limitation for SFC-sliding discs: 300°C

Dimensions and Weights



with electro-pneumatic positioner

DN	A mm	C mm	Ø D actuator size		L mm	Weight kg actuator size		Stroke mm
			125	250		125	250	
15	64	305	165	222	56	6,5	8,7	6
20	72	310	165	222	56	6,7	8,9	6
25	82	315	165	222	56	7,2	9,4	6
32	89	320	165	222	56	7,5	9,7	6
40	99	325	165	222	56	8	10	6
50	116	335	165	222	64	9,5	12	8
65	138	345	165	222	68	11,5	14	8
80	153	355	165	222	70	12,5	15	8
100	184	365	165	222	75	15,5	18	8,5
125	212	380	165	222	80	18,5	21	8,5
150	242	395	165	222	80	22	24	8,5
200	302	425	165	222	93	39	41	8,5
250	360	450	165	222	96	44,5	46,5	8,5

Dimensions in mm