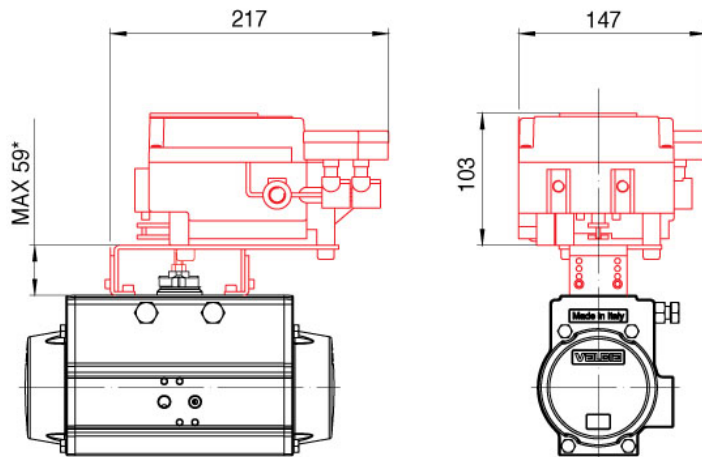


ELECTRO-PNEUMATIC POSITIONER




*79 mod. 330

MAIN CHARACTERISTICS

Input current	4~20 mA cc (standard)*
Input resistance	235 +/- 15 Ω (4~20 mA cc)
Supply pressure	1,4~7 bar
Standard stroke	0°-100° MINIMUM ADJUSTMENT > 60°
Sensitivity	WITHIN 0,5%
Linearity	WITHIN +/- 2%
Hysteresis	WITHIN 1%
Repeatability	WITHIN +/- 0,5% F S
Thermal coefficient	WITHIN 0,1% F S/ °C
Output flow	DA 80 NI/min o > (Alim.:1,4 bar) A 200 NI/min o > (Alim.:4bar)
Air consumption	DA 5 NI/min o < (Alim.:1,4 bar) A 11 NI/min o > (Alim.:4bar)
Working temperature	-20°C ~ 80°C
Connections	Female screw 1/4" NPT
Electrical connections	M20 x 1,5
Material	Die cast aluminium
Weight	2.4 Kg
Classification of protection degree	IP65
Parameters	Ui ≤ 28V, Ii ≤ 125 mA, Pi ≤ 1.2W, Ci ≤ OnF, Li ≤ OmH

*: On the standard model it is possible 1/2 split this rate selecting the angular stroke.

CODE	STANDARD VERSIONS	ACTUATOR MOD.
3160000029	 Electro-pneumatic positioner 4-20mA atex Intrinsic safety type of explosion protected construction II 2G Ex ib II C T5/T6 Approval KEMA No. 03 ATEX1119	52-270
31600280001		330
31600000035	Electro-pneumatic positioner 4-20mA with feed back signal 4-20mA	52-270
31600280003		330

ASSEMBLING AND ADJUSTING OF POSITIONER