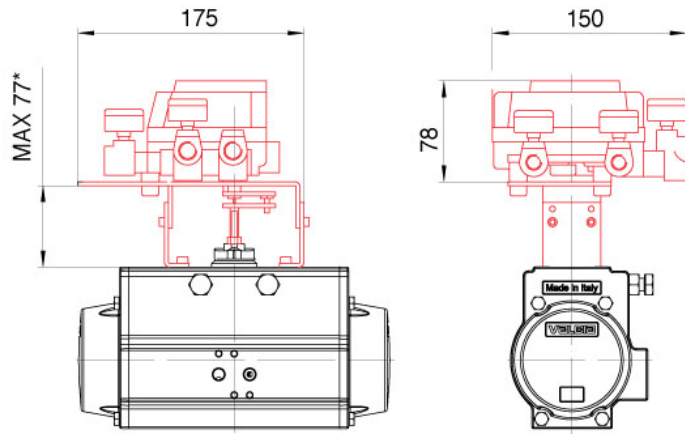


## PNEUMATIC POSITIONER



\*97 mod. 330

### MAIN CHARACTERISTICS

Supply pressure	1,4 ~ 7 bar
Input pressure	0,2 ~ 1 bar
Standard stroke	0°-100° REGOLAZIONE MINIMA > 60° - 0°-100° MINIMUM ADJUSTMENT > 60°
Sensitivity	WITHIN 0,5% FS
Linearity	WITHIN +/- 2% FS
Hysteresis	WITHIN 1% FS
Repeatability	WITHIN +/- 0,5% F S
Output flow rate	DA 80 NI/min o > (Alim.:1,4 bar) A 200 NI/min o < (Alim.:4bar)
Air consumption	DA 5 NI/min o < (Alim.:1,4 bar) A 11 NI/min o < (Alim.:4bar)
Working temperature	-20°C ~ 80°C
Terminal coefficient	WITHIN 0.1% FS/°C
Explosion proof system	CE Ex II 2GDcT5/T6
Connections	Rc (PT) 1/4"
Material	Die cast aluminium
Weight	1,2 Kg
Protection (rate)	IP55

CODE	STANDARD VERSIONS	ACTUATOR MOD.
31600000030	Pneumatic positioner	52-270
31600280002		330

### ASSEMBLING AND ADJUSTING OF POSITIONER