

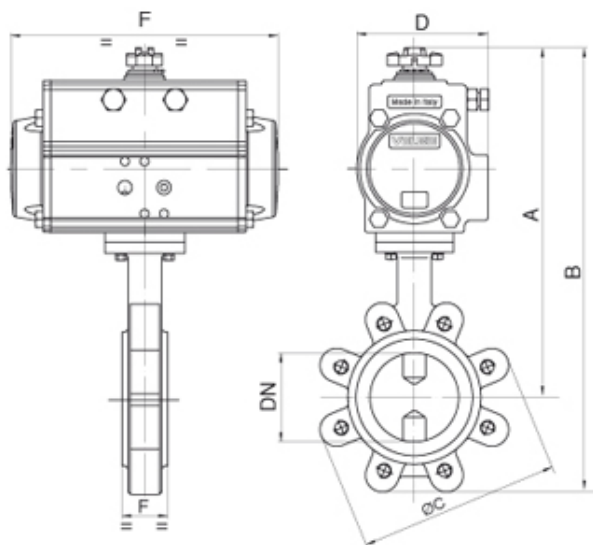


Serie FARFALLA

Articolo 8P010900 - 8P019900 - 8P011000 - 8P020000

Butterfly valve "LUG" type PN16, body in cast iron GGG40 + Epoxy painting, disc AISI 316, EPDM seat [Valpres Art. 600205] or NBR [Valpres Art. 600230], with actuator.

PRESSIONE MINIMA ALIMENTAZIONE ATTUATORE 6 bar actuator air supply pressure minimum 6 bar



Art. 8P010900 EPDM Art. 8P019900 NBR

VALVOLA CON ATTUATORE DOPPIO EFFETTO VALVE WITH DOUBLE ACTING ACTUATOR

DN	40	50	65	80	100	125	150	200	250	300
PN	16	16	16	16	16	16	16	16	16	16
A	224	255	267	281	315	327	355	434	482	541
B	294	326	345	370	417	450	493	602	689	784
ØC	145	165	185	200	220	250	285	268	325	400
D	71	71	71	81	95	95	106	137	148	164
E	33	43	46	46	52	56	56	60	68	78
F	141	141	141	164	210	210	241	333	372	435
ACT.	DA 52	DA 52	DA 52	DA 63	DA 75	DA 75	DA 85	DA 115	DA 125	DA 140
RI	3836	3836	3836	3838	3839	3840	3841	3965	3865	3868

Art. 8P011000 EPDM Art. 8P020000 NBR

VALVOLA CON ATTUATORE SEMPLICE EFFETTO VALVE WITH SPRING RETURN ACTUATOR

DN	40	50	65	80	100	125	150	200	250	300
PN	16	16	16	16	16	16	16	16	16	16
A	235	266	279	312	328	354	366	469	524	672
B	305	338	357	401	430	477	504	637	731	915
ØC	145	165	185	200	220	250	285	340	405	400
D	81	81	81	106	106	123	123	164	186	213
E	33	43	46	46	52	56	56	60	68	78
F	164	164	164	241	241	275	275	435	500	493
ACT.	SR 63	SR 63	SR 63	SR 85	SR 85	SR 100	SR 100	SR 140	SR 160	SR 180
RI	3843	3843	3843	3844	3840	3846	3847	3848	3867	3309

