

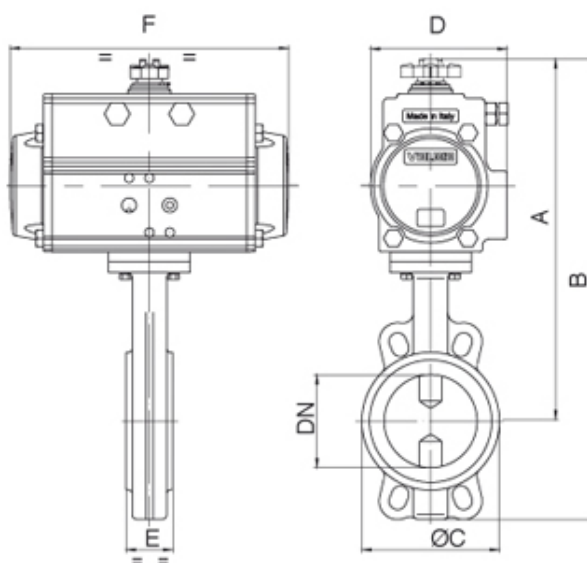


Serie **FARFALLA**

Articolo **8P010100 - 8P019700 - 8P010200 - 8P019800**

Butterfly valve "WAFER" type PN16, body in cast iron G250 + Epoxy painting, disc AISI 316, EPDM [Valpres Art. 600105] o NBR [Valpres Art. 600119] seat, with actuator.

PRESSIONE MINIMA ALIMENTAZIONE ATTUATORE 6 bar actuator air supply pressure minimum 6 bar



Art. 8P010100 EPDM Art. 8P019700 NBR

VALVOLA CON ATTUATORE DOPPIO EFFETTO VALVE WITH DOUBLE ACTING ACTUATOR

DN	32	40	50	65	80	100	125	150	200	250	300
PN	16	16	16	16	16	16	16	16	16	16	16
A	224	224	255	267	281	315	327	355	434	482	541
B	282	294	326	345	370	417	450	493	602	689	784
Ø C	85	95	100	120	127	161	190	215	268	325	400
D	71	71	71	71	81	95	95	106	137	148	164
E	33	33	43	46	46	52	56	56	60	68	78
F	141	141	141	141	164	210	210	241	333	372	435
ACT.	DA 52	DA 52	DA 52	DA 52	DA 63	DA 75	DA 75	DA 85	DA 115	DA 125	DA 140
RI	3155	3836	3836	3836	3838	3839	3840	3841	3965	3865	3868

Art. 8P010200 EPDM Art. 8P019800 NBR

VALVOLA CON ATTUATORE SEMPLICE EFFETTO VALVE WITH SPRING RETURN ACTUATOR

DN	32	40	50	65	80	100	125	150	200	250	300
PN	16	16	16	16	16	16	16	16	16	16	16
A	231	235	266	279	312	328	354	366	469	524	672
B	290	305	338	357	401	430	477	504	637	731	915
Ø C	85	95	100	120	127	161	190	215	268	325	400
D	81	81	81	81	106	106	123	123	164	186	213
E	33	33	43	46	46	52	56	56	60	68	78
F	164	164	164	164	241	241	275	275	435	500	493
ACT.	SR 63	SR 63	SR 63	SR 63	SR 85	SR 85	SR 100	SR 100	SR 140	SR 160	SR 180
RI	3176	3843	3843	3843	3844	3840	3846	3847	3848	3867	3309

