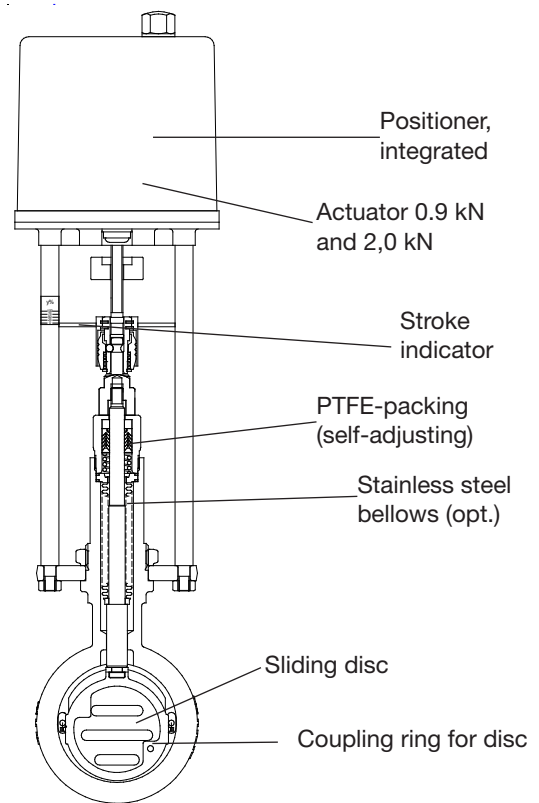
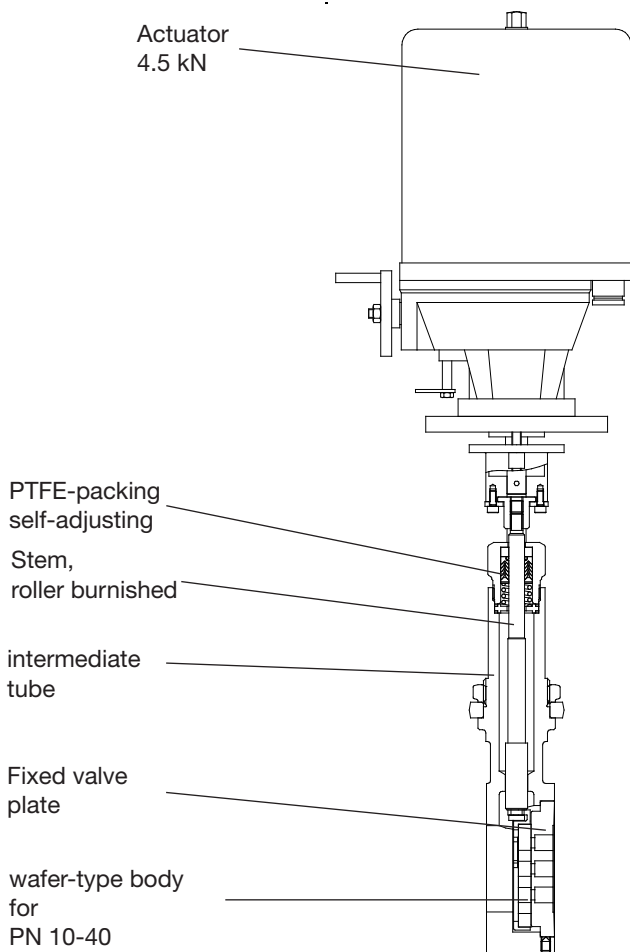


Motor Valve 8030

GS 1 series, DN 15 up to DN 150

Motor valve for control and switching of neutral through to highly aggressive media in process engineering, chemical industries and for plant equipment.

- Space saving wafer type construction
- Lowest possible weight (especially in larger sizes)
- Low operation noise level (quiet operation)
- Control of high differential pressures with small actuators
- Fast response time
- Fail safe option



Technical information

Body material	flangeless, wafer type construction Dimensions acc. DIN EN 558-1 series 20 for flanges acc. DIN EN 1092-1 form B more versions see data-sheet 8030-GS3		
Nominal sizes	DN 15 up to DN 150		
Nominal pressure	PN 40 acc. DIN 2401 also for flanges PN 10 up to PN 25		
Fluid temperature	body 1.0570: -10°C up to +350°C body 1.4571: -60°C up to +350°C (+300°C for SFC)		
Rangeability	30 : 1		
Leakage * (% of Kvs)	Disc pair Carbon-stainless steel < 0,0001	Disc pair SFC < 0,0005	Disc pair STN 2 < 0,001
Packing leakage	tested according to TA-Luft as defined in DIN EN ISO 15848-1 and VDI 2440		

* With DN15 with reduction of less than 25%, different leakage rates possible.
K_{vs}-values see data sheet 8001.

Technical information of the motor actuator

Driving force	0.9 kN; 2 kN; 4.5 kN
Type of duty (according VDE 0530)	S 1 - 100 % ED (0,9kN; 2kN; 4,5kN DC) S 4 - 30 % ED (0.45 kN; 0.9 kN; 2 kN) S 4 - 30 % ED 600c/h (4.5 kN)
Power connections	24 V AC 24 V DC 110/120V AC 230 V AC 400 V 3-phase-AC other on request
Ambient temperature	0°C up to +60°C; - 20°C up to + 60°C with heating resistor element
Mounting position	free choice, but motor not vertical down
Protection class (Din 40050)	IP 65 (0,9 kN; 2 kN; 4.5 kN)

Materials

Body	Carbon steel 1.0619	Stainless steel 1.4581 or 1.4408	
Packing	PTFE (carbon filled), spring 1.4310		
Actuating stem	Stainless steel, roller burnished		
Bellow	Stainless steel 1.4571		
Fixed plate	Stainless steel 1.4571, plated		STN2-disc
Sliding disc	Standard: special carbon material	SFC-disc	STN2-disc
Coupling ring for discs	Stainless steel 1.4581		

Stroking times (sec.):

	0,9 kN	2,0 kN	4,5 kN
Stroking speed mm/min	10	9,2	24
DN 15 - 40	36	28	15
DN 50 - 80	47	38	20
DN 100 - 150	50	40	21

Power consumption (Watt):

24 VAC, 230 VAC	5	6,6	40/28
24 VDC	10	20	30
400 V, 50 Hz	10	10	35
110/120 V AC	5	6,6	28

Options

Limit switches	max. 2	max. 2	max. 2
Potentiometer	1	1	max. 2*
Positioner, analogue	yes	yes	yes

* one potentiometer is required for positioner option

Optional stroking times

Driving force (kN)	0,9				2		4,5	
Stroking speed mm/min.	13,5	8	5,1	2,9	15,2	7,5	5,6	50
Nominal size	Stroking times (sec.)							
DN 15 - 40	28	47	74	129	25	50	67	7,5
DN 50 - 80	37	62	97	171	33	66	88	9,9
DN 100-150	39	66	103	181	35	70	94	10,5

Maximum Differential Pressures

DN	0,9 kN	2,0 kN	4,5 kN	0,9 kN	2,0 kN	4,5 kN
	carbon/SFC-stainless steel			STN2		
15	40	40	40	40	40	40
20	40	40	40	40	40	40
25	40	40	40	32	40	40
32	40	40	40	23	40	40
40	35	40	40	16	27	27
50	23	40	40	9	23	40
65	19	40	40	8	19	38
80	12	29	40	4,5	11	22
100	8	18	25	3	7	13
125	5	12	16	2	4,5	9
150	-	9	16	-	3	8

Dimensions and Weights

DN	A	C~			L	Weight kg			Stroke
		0.9 kN	2.0 kN	4.5 kN		0.9 kN	2.0 kN	4.5 kN	
15	53	450	487	525	33	3,9	4,2	7,2	6
20	62	455	492	530	33	4,0	4,3	7,3	6
25	72	460	497	535	33	4,1	4,4	7,4	6
32	82	465	502	540	33	4,2	4,5	7,5	6
40	92	470	507	545	33	4,3	4,6	7,6	6
50	108	480	517	555	43	5,5	5,8	8,8	8
65	127	490	527	565	46	6,0	6,3	9,3	8
80	142	495	532	570	46	6,7	7,0	10,0	8
100	164	510	547	585	52	7,9	8,2	11,2	8,5
125	194	525	562	600	56	9,7	10,0	13,0	8,5
150	219	-	577	615	56	-	11,9	14,9	8,5

Dimensions in mm

