



High-pressure regulating valve

Size 5

637.101 to 637.204

G 1 1/2

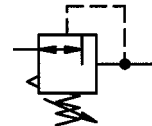
G 2

0.1 to 3 bar

0.2 to 6 bar

0.5 to 10 bar

0.5 to 16 bar



Characteristics

Order No.	637.201	637.202	637.203	637.204
Port	G 2			
Order No.	637.101	637.102	637.103	637.104
Port	G 1 1/2			
Pressure gauge port	2 x G 1/4			
Type of construction	Diaphragm pressure regulator with self-relieving design - Pilot-controlled Special versions on request			
Max. input pressure p_1	25 bar			
Control range p_2	0.1 to 3 bar / 0.2 to 6 bar / 0.5 to 10 bar / 0.5 to 16 bar			
Mounting position	Any / note direction of arrow			
Mounting type	In-line			
Medium temperature	0 - 60 °C			
Ambient temperature	0 - 60 °C			
Weight [g]	4970 / 5250 with pressure gauge			

Important: Filter Art. No. «650 H/M» (Section 1) should be connected upstream!

Materials

Part	Material
Head piece (body)	Al
Diaphragm, compl.	→ NBR-brass-galvanised steel
Valve cone, compl.	→ NBR-brass
Counter-pressure spring	Stainless steel
Spring bonnet, compl.	POM-brass
Diaphragm (pilot)	→ NBR-brass
Valve cone (pilot)	→ NBR-brass
Pressure spring	Galvanised steel

Description

- High-pressure regulating valve specially for high air flow rates
- Double nipples (G 2) required for block mounting with other devices
- Pressure setting can be locked by pushing the knob down
- Flow direction indicated by arrows
- **Entry in direction of arrow**
- Working pressure remains virtually **constant, regardless** of system pressure fluctuations and air consumption
- Separate pressure gauges for input and output pressure included, can be mounted at both ends
- Lockable adjusting knob (**on request**)
- Please use RIEGLER Lock AN 305-77 for sealing.

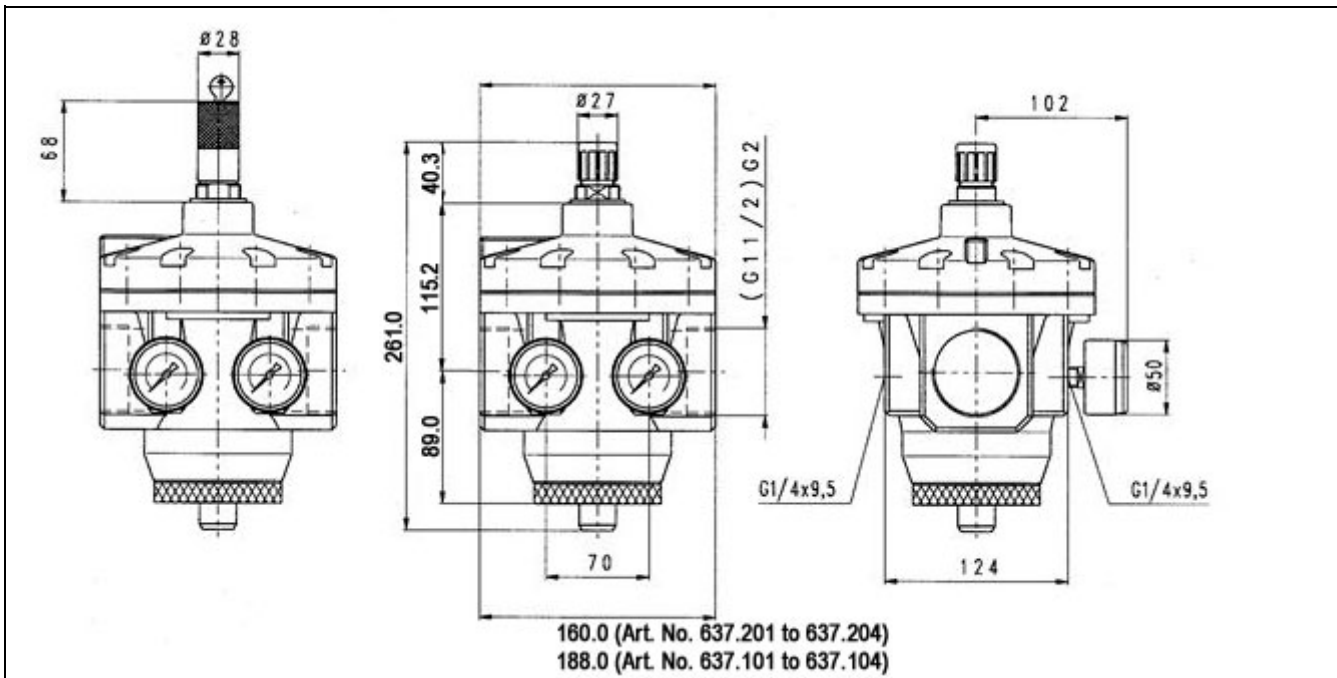
Accessories

Designation	Order No.
Double nipple G 1 1/2	252.07/4
Double nipple G 2	252.07/5

Main spare parts

Part	Part No.
→ Set of wearing parts	22.6203.4
- Diaphragm, compl.	
- Valve cone, compl.	
- Diaphragm (pilot)	
- Valve cone (pilot)	
Bead diaphragm	
∅160, compl.	6203.4.950
Valve cone, compl.	6203.4.960
Pressure pin with lock washer	6203.4.961
Pr. gauge ∅63, G 1/4	
0 to 4 bar	215
0 to 6 bar	216
0 to 10 bar	217
0 to 16 bar	218
0 to 25 bar	219

Dimensions

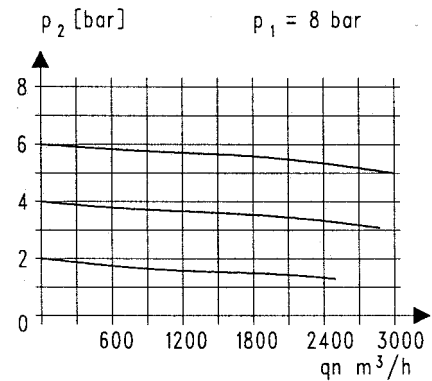


Flow rates

Flow rates at $p_1 = 8 \text{ bar}$

Output pressure $p_2 = [\text{bar}]$			6	
Nominal flow ($\Delta p = 1 \text{ bar}$)	QN m^3/h		3000	
	l/min		50000	

Flow characteristic



Hysteresis

Hysteresis of p_2 as a function of rising (falling)

p_1 at a constant draw-off rate QN 20 l/min

Basic setting (starting point): $p_1: 7.0 \text{ bar}$

$p_2: 2.0 \text{ bar}$

