

**Mechanical  
pressure measurement**

## Capsule pressure gauge Model 612.20, industrial series

WIKA data sheet PM 06.02



### Applications

- Robust design and ingress protection IP 54
- For gaseous, dry and non-aggressive media
- Medical, vacuum, environmental, laboratory technology, for contents measurement and filter monitoring

### Special features

- Zero adjustment in front
- Case from stainless steel
- Special connection location on request
- Low scale ranges from 0 ... 6 mbar



Capsule pressure gauge model 612.20

### Description

#### Design

EN 837-3

#### Nominal size in mm

63, 100, 160

#### Accuracy class

1.6

#### Scale ranges

NS 63: 0 ... 25 mbar to 0 ... 600 mbar

NS 100: 0 ... 10 mbar to 0 ... 600 mbar

NS 160: 0 ... 6 mbar to 0 ... 600 mbar

or all other equivalent vacuum or combined pressure and vacuum ranges

#### Pressure limitation

Steady: Full scale value

Fluctuating: 0.9 x full scale value

#### Permissible temperature

Ambient: -20 ... +60 °C

Medium: +100 °C maximum

+ 80 °C maximum (with NS 100 and 160 back mount)

#### Temperature effect

When the temperature of the measuring system deviates from the reference temperature (+20 °C):

Max. ±0.6 %/10 K of full scale value

#### Ingress protection

IP 54 per EN 60529 / IEC 529

**Standard version**

**Process connection**

Cu-alloy,  
 Lower mount (LM) or lower back mount (LBM) 1)  
 NS 63: G ¼ B (male), 14 mm flats  
 NS 100, 160: G ½ B (male), 22 mm flats

**Pressure element**

Cu-alloy

**Seal**

NBR

**Movement**

Cu-alloy

**Zero adjustment**

In front

**Dial**

Aluminium, white, black lettering

**Pointer**

Aluminium, black

**Case**

Stainless steel

**Window**

Instrument glass

**Bezel ring**

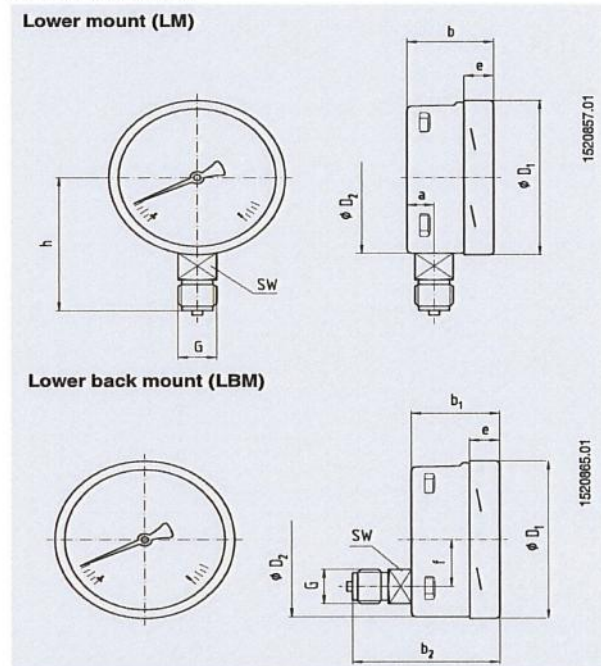
Cam ring (bayonet type), stainless steel

**Options**

- Other process connection
- Overpressure and vacuum safety with scale ranges > 25 mbar: 10 x full scale value  
 scale ranges ≤ 25 mbar: 3 x full scale value
- NS 100 and 160: Panel or surface mounting flange
- NS 100 and 160: Triangular bezel with clamp
- NS 100 and 160: Ingress protection IP 65
- Switch contacts model 831 (data sheet AC 08.01)

**Dimensions in mm**

**Standard version**



NS	Dimensions in mm										Weight in kg	
	a	b	b <sub>1</sub>	b <sub>2</sub>	D <sub>1</sub>	D <sub>2</sub>	e	f	G	h ± 1		
63	9.5	33	42	63	64	62	22	1)	G ¼ B	52	14	0.19
100	15.5	49.5	49.5	83	101	99	17.5	30	G ½ B	87	22	0.60
160	15.5	49.5	49.5	83	161	159	17.5	50	G ½ B	118	22	1.10

Process connection per EN 837-3 / 7.3

1) With NS 63: Centre back mount (CBM)

**Ordering information**

Model / Nominal size / Scale range / Connection size / Connection location / Options

© 2006 WIKA Alexander Wiegand SE & Co. KG, all rights reserved.  
 The specifications given in this document represent the state of engineering at the time of publishing.  
 We reserve the right to make modifications to the specifications and materials.



**WIKAL Alexander Wiegand SE & Co. KG**  
 Alexander-Wiegand-Straße 30  
 63911 Klingenberg/Germany  
 Tel. (+49) 9372/132-0  
 Fax (+49) 9372/132-406  
 E-mail info@wika.de  
 www.wika.de

Art. No.	Ident No.
6840	102522
6841	102523
6842	102524
6843	102525
6844	102526
6801	102536
6802	102537
6803	102538
6804	102539
6805	102540
6811	102541
6812	102542
6813	102543
6814	102544
6815	102545
6816	102546
6817	102547
6820	102554
6821	102555
6822	102556
6823	102557
6824	102558
6825	102559
6826	102560