

**Mechanical
pressure measurement**

**Capsule pressure gauge
Model 611.10, standard version
Model 631.10, stainless steel version**

WIKA data sheet PM 06.01



Applications

- Pressure gauge for use in a protected environment
- Medical, vacuum, environmental, laboratory technology, for contents measurement and filter monitoring
- For gaseous, dry and non-aggressive media
- Model 631.10 also for aggressive media

Special features

- Zero adjustment in front
- Special connection location on request
- Low scale ranges from 0 ... 25 mbar



Capsule pressure gauge, model 611.10

Description

Design
EN 837-3

Nominal size in mm
50, 63

Accuracy class
1.6

Scale ranges
NS 50: 0 ... 60 mbar to 0 ... 600 mbar
NS 63: 0 ... 25 mbar to 0 ... 600 mbar
or all other equivalent vacuum or combined pressure and vacuum ranges

Pressure limitation
Steady: Full scale value
Fluctuating: 0.9 x full scale value

Permissible temperature
Ambient: -20 ... +60 °C
Medium: +100 °C maximum

Temperature effect
When the temperature of the measuring system deviates from the reference temperature (+20 °C):
max. ±0.6 %/10 K of full scale value

Ingress protection
IP 32 per EN 60529 / IEC 529

WIKA data sheet PM 06.01 · 06/2013

Page 1 of 3

Data sheets showing similar products:
Capsule pressure gauge, industrial series for NS 63, 100 and 160; model 612.20; see data sheet PM 06.02



Standard version

Process connection

Model 611.10: Copper alloy
Model 631.10: Stainless steel
Lower mount (LM) or back mount (BM)
(NS 50: Only back mount)
G ¼ B (male), 14 mm flats

Pressure element

Model 611.10: Copper alloy
Model 631.10: Stainless steel

Sealing

NBR

Movement

Copper alloy

Zero adjustment

At the front

Dial

Aluminium, white, black lettering

Pointer

Aluminium, black

Case

Steel, black

Window

Clear non-splintering plastic, domed, snap-fitted in case

Options (NS 63)

- Other process connection
- Sealings (model 910.17, see data sheet AC 09.08)
- Stainless steel case
- Overpressure and vacuum safety with
scale ranges < 40 mbar: 3 x full scale value
scale ranges ≥ 40 mbar: 10 x full scale value
- Slip-on bezel ¹⁾
- Panel or surface mounting flange ¹⁾
- Triangular bezel with clamp ¹⁾

¹⁾ also for NS 50

Approvals

- GOST, metrology/measurement technology, Russia
- GOST-R, import certificate, Russia

Certificates ¹⁾

- 2.2 test report per EN 10204 (e.g. state-of-the-art manufacturing, material proof, indication accuracy)
- 3.1 inspection certificate per EN 10204 (e.g. material proof for wetted metallic parts, indication accuracy)

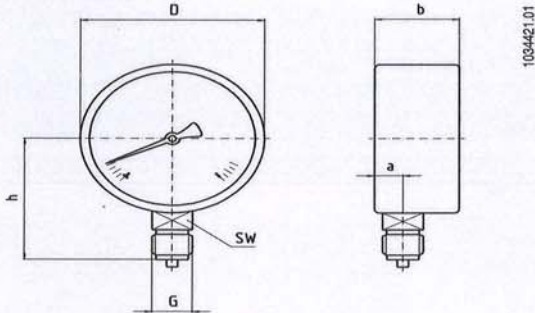
¹⁾ Option

Approvals and certificates, see website

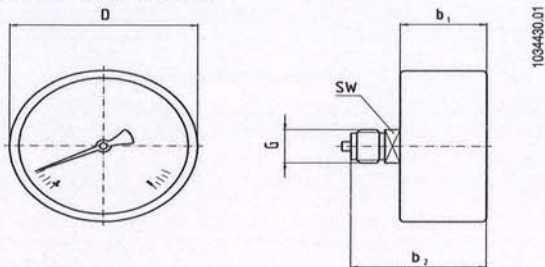
Dimensions in mm

Standard version

Lower mount (LM)



Centre back mount (CBM)



NS	Dimensions in mm		b ₁	b ₂	D	G	h ±1	SW	Weight in kg
	a	b							
50	-	-	28	47	50	G ¼ B	-	14	0.09
63	9.5	40	36.5	54.5	63	G ¼ B	51	14	0.20

Process connection per EN 837-3 / 7.3

Ordering information

Model / Nominal size / Scale range / Connection size / Connection location / Options

© 2003 WIKA Alexander Wiegand SE & Co. KG, all rights reserved.
 The specifications given in this document represent the state of engineering at the time of publishing.
 We reserve the right to make modifications to the specifications and materials.

WIKA data sheet PM 06.01 - 06/2013

Page 3 of 3

06/2013 GB



WIKAL
WIKAL Alexander Wiegand SE & Co. KG
 Alexander-Wiegand-Straße 30
 63911 Klingenberg/Germany
 Tel. (+49) 9372/132-0
 Fax (+49) 9372/132-406
 E-mail info@wika.de
 www.wika.de

Pressure Gauge

Art. No. 5840 to 5844, and 5801 to 5817 and 5821 to 5826
Ident No. 102517 to 102521, and 102527 to 102535, and 102548 to 102553

Art. No.	Ident No.
5840	102517
5841	102518
5842	102519
5843	102520
5844	102521
5801	102527
5802	102528
5803	102529
5812	102530
5813	102531
5814	102532
5815	102533
5816	102534
5817	102535
5821	102548
5822	102549
5823	102550
5824	102551
5825	102552
5826	102553