

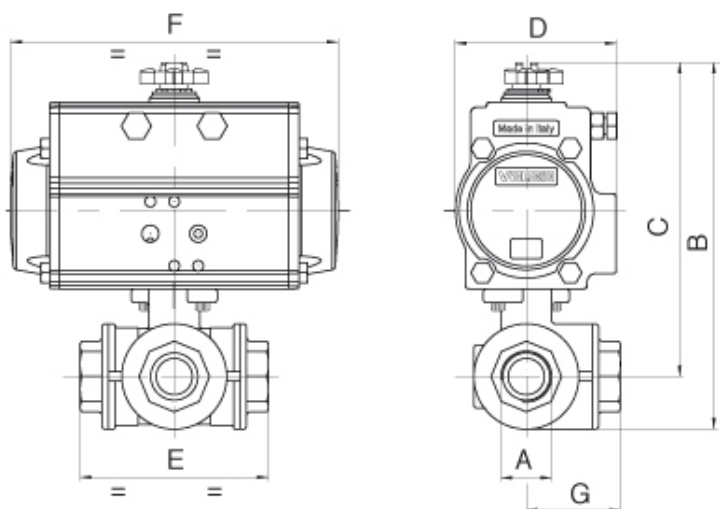


Serie **3 vie**

Articolo **8P008300 (T) - 8P008500 (T) - 8P008400 (L) - 8P008600 (L)**

3 way brass ball valve CW 617N [RB Art. 3500 (T) - 3600 (L)], seals in PTFE + VITON, threaded F/F/F, FULL bore, "T" or "L" port, with actuator. Not suitable for use with solvents.

PRESSIONE MINIMA ALIMENTAZIONE ATTUATORE 6 bar actuator air supply pressure minimum 6 bar



Art. 8P008300 (T) - 8P008400 (L)

VALVOLA CON ATTUATORE DOPPIO EFFETTO VALVE WITH DOUBLE ACTING ACTUATOR

| | | | | | | | | |
|--------|-------|-------|-------|-------|-------|-------|-------|-------|
| PN | 30 | 30 | 30 | 30 | 16 | 10 | 10 | 10 |
| DN - A | 1/4" | 3/8" | 1/2" | 3/4" | 1" | 1"1/4 | 1"1/2 | 2" |
| B | 113 | 113 | 118 | 167 | 179 | 197 | 230 | 272 |
| C | 96 | 96 | 98 | 143 | 149 | 161 | 187 | 216 |
| D | 45 | 45 | 45 | 71 | 71 | 71 | 81 | 95 |
| E | 67 | 67 | 77 | 87 | 105 | 123 | 139 | 166 |
| F | 110 | 110 | 110 | 141 | 141 | 141 | 164 | 210 |
| G | 34 | 34 | 39 | 44 | 53 | 62 | 70 | 83 |
| ACT. | DA 32 | DA 32 | DA 32 | DA 52 | DA 52 | DA 52 | DA 63 | DA 75 |
| RI | 4022 | 4022 | 4022 | 4023 | 4023 | 4023 | 4024 | 4026 |

Art. 8P008500 (T) - 8P008600 (L)

VALVOLA CON ATTUATORE SEMPLICE EFFETTO VALVE WITH SPRING RETURN ACTUATOR

| | | | | | | | | |
|--------|-------|-------|-------|-------|-------|-------|-------|--------|
| PN | 30 | 30 | 30 | 30 | 16 | 10 | 10 | 10 |
| DN - A | 1/4" | 3/8" | 1/2" | 3/4" | 1" | 1"1/4 | 1"1/2 | 2" |
| B | 149 | 149 | 154 | 179 | 190 | 209 | 262 | 299 |
| C | 132 | 132 | 134 | 155 | 160 | 173 | 219 | 243 |
| D | 71 | 71 | 71 | 81 | 81 | 81 | 106 | 123 |
| E | 67 | 67 | 77 | 87 | 105 | 123 | 139 | 166 |
| F | 141 | 141 | 141 | 164 | 164 | 164 | 241 | 275 |
| G | 34 | 34 | 39 | 44 | 53 | 62 | 70 | 83 |
| ACT. | SR 52 | SR 52 | SR 52 | SR 63 | SR 63 | SR 63 | SR 85 | SR 100 |
| RI | 3798 | 3798 | 3798 | 4025 | 4025 | 4025 | 4026 | 4026 |

IN FASE D'ORDINE DEFINIRE LA POSIZIONE DELLA SFERA - PLEASE SPECIFY THE FLOW PATH WHILE ORDERING.

