

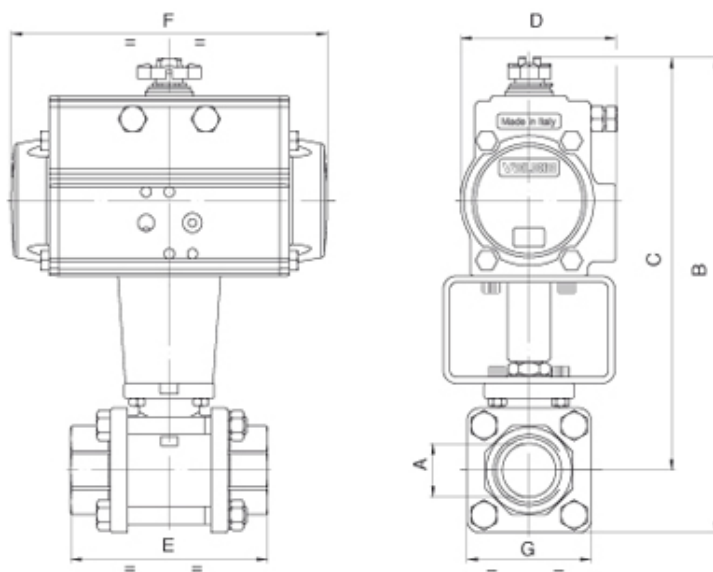


Serie **2 vie**

Articolo **8P001900 F/F - 8P002500 F/F -
8P002000 SW - 8P002600 SW - 8P002100
BW - 8P002007 BW**

2 way, three piece ball valve [Valpres Artt. 713000 F/F - 714000 SW - 715000 BW], carbon steel ASTM A105, with ball and stem in stainless steel AISI 304, with actuator.

PRESSIONE MINIMA ALIMENTAZIONE ATTUATORE 6 bar actuator air supply pressure minimum 6 bar



Art. 8P001900 F/F - 8P002000 SW - 8P002100 BW

VALVOLA CON ATTUATORE DOPPIO EFFETTO VALVE WITH DOUBLE ACTING ACTUATOR

PN	- 64	64	64	40	40	25	25	25	16	16	16
DN - A	1/4"	3/8"	1/2"	3/4"	1"	1 1/4"	1 1/2"	2"	2 1/2"	3"	4"
B	128	128	135	212	222	230	267	298	348	373	436
C	111	111	116	188	193	197	229	253	281	292	341
D	45	45	45	71	71	71	81	95	106	106	123
E	57	57	65	76	92	106	116	136	153	180	217
F	110	110	110	141	141	141	164	210	241	241	275
G	33	33	38	47	58	67	76	90	134	161	190
ACT.	DA 32	DA 32	DA 32	DA 52	DA 52	DA 52	DA 63	DA 75	DA 85	DA 85	DA 100
RI	3015	3015	3789	3781	3030	3030	3031	3034	3003	3003	3004

Art. 8P002500 F/F - 8P002600 SW - 8P002700 BW

PN	- 64	64	64	40	40	25	25	25	16	16	16
DN - A	1/4"	3/8"	1/2"	3/4"	1"	1 1/4"	1 1/2"	2"	2 1/2"	3"	4"
B	164	164	171	224	234	242	299	326	415	452	482
C	148	148	152	200	205	209	261	281	348	371	387
D	71	71	71	81	81	81	106	123	137	148	148
E	57	57	65	76	92	106	116	136	153	180	217
F	141	141	141	164	164	164	241	275	333	372	372
G	33	33	38	47	58	67	76	90	134	161	190
ACT.	SR 52	SR 52	SR 52	SR 63	SR 63	SR 63	SR 85	SR 100	SR 115	SR 125	SR 125
RI	3021	3021	3790	3783	3033	3033	3034	3034	3010	3010	3005

