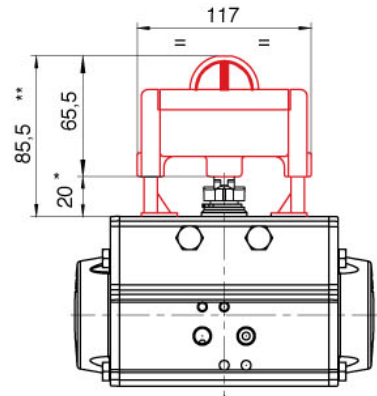
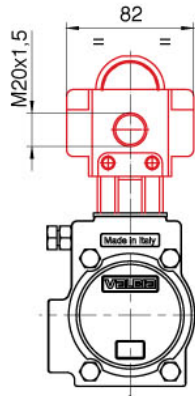


IP65 LIMIT SWITCH BOX



* 30 mod. 115-125-140-160-180-200-230-270

* 50 mod. 330

** 95,5 mod. 115-125-140-160-180-200-230-270

** 115,5 mod. 330

MAIN CHARACTERISTICS

Body material	Auto extinguish reinforced tecnopolymer V0
Cover material	Poly-carbonate (UV resistant and auto extinguish)
Shaft material	Reinforced techno-polymer
Screws	Stainless steel
Protection	IP 65
Working temperature	from -15°C to +80°C
Adjusting cam	Independents
Cable entry	M20X1,5 (1/2"NPT O PG 13,5 optional)

CODE	STANDARD VERSIONS	ACTUATOR MOD.
03900000034	2 Electromechanical SPDT limit switches max 5A 250 V AC/3A 24 V DC	52÷270
03900000037		32
03900280020		330
03900000035	2 Inductive Namur limit switches P+F NJ2-V3-N (2 wire not amplified) Ex II 2 G/D EEx ia IIC T6 (zone 1.2.21 e 22) ATEX	52÷270
03900000039		32
03900280021		330
03900000036	2 Inductive Namur limit switches PNP NO P+F NBB2-V3-E2 (3 wire amplified) 10-30V DC max 100m A	52÷270
03900000040		32
03900280022		330