



Constant-pressure regulator

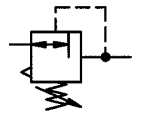
Size 4

737.801 to 737.905

G 1¼ (red.)

G 1½

0.5 to 3 bar
0.5 to 6 bar
0.5 to 10 bar
0.5 to 16 bar
0.5 to 25 bar



Characteristics

Order No.	737.901	737.902	737.903	737.904	737.905
Port	G 1½				
Order No.	737.801	737.802	737.803	737.804	737.805
Port	G 1¼ (reduced)				
Pressure gauge port	G 1/4				
Type of construction	Diaphragm pressure regulator with self-relieving design				
	Special versions on request e.g. - Reverse flow port closed				
Max. input pressure p ₁	40 bar				
Control range p ₂	0.5 to 3 bar / 0.5 to 6 bar / 0.5 to 10 bar / 0.5 to 16 bar / 0.5 to 25 bar				
Mounting position	Any / note direction of arrow				
Mounting type	Bracket				
Medium temperature	-10 to 60°C				
Ambient temperature	-10 to 90°C				
Weight [g]	5050 / 5200 with pressure gauge				

Description

- Standard design
- Conical double nipples (G 1 1/2) required for block mounting with other devices
- Pressure setting by means of adjusting screw with plastic knob, setting can be locked with lock nut
- Flow direction indicated by arrows
- **Entry in direction of arrow**
- Working pressure remains virtually **onstant, regardless** of system pressure fluctuations and air consumption
- Pressure gauge Ø63 included, can be mounted at both ends
- Wall mounting with mounting bracket on cover
- Max. output pressure **25 bar**

Materials

Part	Material
Head piece (body)	Brass
Spring bonnet/adjusting screw	Brass
Diaphragm →	NBR-brass
Pressure spring	Galvanised steel
Valve cone →	NBR-brass
Counter-pressure spring	Stainless steel
O-ring 52 x 3 →	NBR

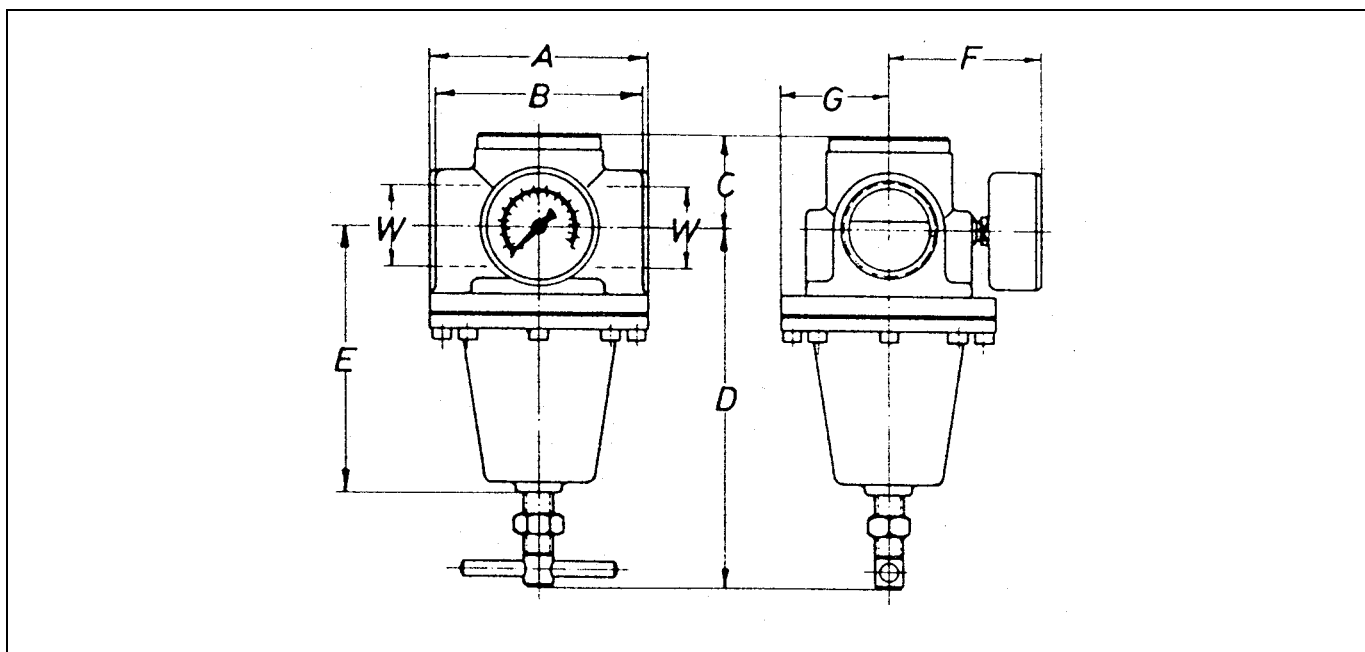
Accessories

Designation	Order No.
Mounting bracket with 2 screws	H 88
Double nipple G 1½	252.07/4
Reducing nipple G 1 ½ male to G 1 ¼ female	251.12

Main spare parts

Part	Part No.
→ Set of wearing parts - Diaphragm, compl. - Valve cone, compl. - O-ring 52 x 3	22.793.4
Pr. gauge Ø63, G 1/4 0 to 4 bar	215-KD
0 to 6 bar	216-KD
0 to 10 bar	217-KD
0 to 16 bar	218-KD
0 to 25 bar	219

Dimensions



Dimensions [mm]

Art. No.	Dimensions								Pr. gauge	
	A	B	C	D	E	F	G	Rotary switch \varnothing	\varnothing	
737.801 to 737.803	114.0	126.0	48.0	189.0	138.0	80.0	58.0	80	G 1/4	63
737.901 to 737.903	114.0	114.0	48.0	189.0	138.0	80.0	58.0		G 1/4	63
737.804 and 737.805	114.0	126.0	48.0	184.0	138.0	80.0	58.0	80	G 1/4	63
737.904 and 737.905	114.0	114.0	48.0	184.0	138.6	80.0	58.0		G 1/4	63

© Riegler 2-15

Flow rates

Flow rates at $p_1 > p_2 + 2$ bar / G 1 1/2 port

Art. No.		737.801	737.802	737.803	737.804	737.805
		737.901	737.902	737.903	737.904	737.905
Output pressure $p_2 = 6$ [bar]	QN m ³ /h	960	840	730	660	510
Nominal flow ($\Delta p < 1$ bar)	QN l/min	16000	14000	12160	11000	8500