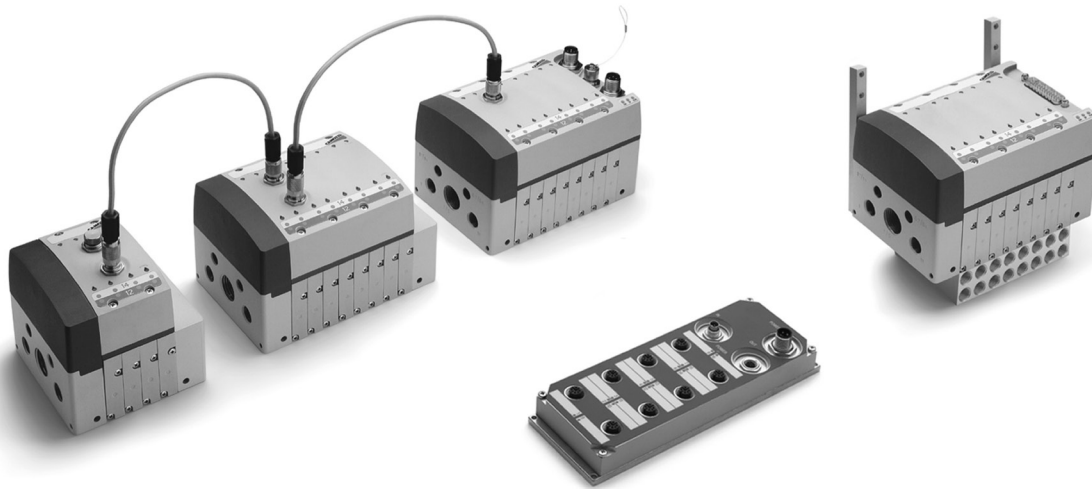


Series Y valve islands, Individual, Multipole and Fieldbus

Valve Island with integrated Pneumatics and Electronics. Available versions: Individual, Multipole, Fieldbus (Profibus-DP, DeviceNet, CANopen). Valve functions: 2x2/2; 2x3/2; 5/2; 5/3 CC



Series Y solenoid valves are based on particular solutions regarding both the pneumatic, as well as the electronic part.

Sub-bases and valve bodies are integrated in a sole "module". Different kinds of cartridges and spools are inserted in the module to configure the desired valve function. The valve island can be expanded and modified and its maintenance is easy and safe. Several solutions are possible for the electric connection through the use of modules for digital electric inputs.

Manuals, instruction sheets and configuration files are available on the site <http://catalogue.camozzi.com> or by means of the QR code indicated on the label of the product.

- » Pneumatic modularity: 2, 4, 6 and 8 valve positions
- » Valve size: 12,5 mm
- » Flow rate: 800 NI/min

GENERAL AND ELECTRICAL DATA

Enclosed in the package there is a label on which it is possible to write each individual coil number.

PNEUMATIC SECTION

| | |
|---------------------------|--|
| Valve construction | Spool with seals |
| Valve functions | 5/2 monostable and bistable 5/3 CC 2 x 2/2 NC 2 x 2/2 NO 1 x 2/2 NC + 1 x 2/2 NO 2 x 3/2 NC 2 x 3/2 NO 1 x 3/2 NC + 1 x 3/2 NO |
| Materials | Aluminium spool brass cartridge seals in NBR end covers and covers in technopolymer |
| Connections | Outlets 2 and 4: G1/8 Inlets 1 and 11: G1/4 Pilot ports: 12/14 and respective exhaust 82/84 G1/8 Exhausts 3/5: G1/2 |
| Temperature | 0 + 50°C |
| Air specifications | Filtered compressed air, non lubricated, class 3.4.3 according to ISO 8573.1 standard. If lubrication is necessary, please use only oils with maximum viscosity of 32 Cst and the version with external servo-pilot supply. The servo-pilot supply air quality class must be 3.4.3 according to ISO 8573.1 standard. |
| Dimensions/size | 12.5 mm |
| Working pressure | -0.9 ÷ 10 bar (with external servo pilot supply) |
| Pilot pressure | 3 ÷ 7 bar |
| Flow rate | 800 Nl/min |

INLETS SECTION

| | |
|--|--|
| Voltage | 24 V ±10% |
| Max current | 350 mA |
| Operating temperature | 0°C + 50°C |
| Relative humidity | 30-90% +25°C 30-50% +50°C |
| Conform with standards | EN 61131-2 EN 61000-6-2 EN 61000-6-4 |
| Protection class | IP65 |
| Max. number of connected inlets | 48 |
| Max. number of connected Inlet Modules | 3 |
| Max. distance between init. mod. and last input or expansion mod. | 50 m |
| Max. cable length between sensor and input module | 30 m |

ELECTRICAL SECTION

| | |
|--|---|
| Voltage | 24V ±10% |
| Max. absorption | 1300mA continuous 1600 mA latch |
| Operating temperature | 0°C + 50°C |
| Continuous current | ED 100% |
| Protection class | IP50 Individual version IP65 Multipole version PNP IP65 Fieldbus versions |
| Baud rate | Profibus-Dp 12 Mbit/s EN 50170 DeviceNet 500 Kbit/s EN 50235 CAN open 500 Kbit/s EN 50235 |
| Maximum number of nodes | Profibus-Dp 32/127 DeviceNet 64 CAN open 127 |
| Maximum number of expansions per node | 15 |
| Max. length of internal Fieldbus | 50 m |
| Relative humidity | 30-90% +25°C 30-50% +50°C |
| Conform with standards | EN 61326-1 EN 61010-1 |
| Max. number of solenoids connected/activated at the same time | 32 |

HOW TO COMPOSE THE VALVE ISLAND (EXAMPLE)

- one or more pneumatic modules with either 2, 4, 6 or 8 valve positions incorporating the sub-base with two separated channels for supply and exhaust, and the seat for the valves. It is possible to join the different modules together with pins and fixing screws, thus increasing the number of valve positions;
- two terminal plates (right and left) on which it is possible to connect pressure inlets and exhausts;
- seals among the various elements;
- cartridges and spools which reproduce the different valve functions (further information on the following pages)
- one or more covers which integrate electronics and pilots distributing signals to valves (further information on the following pages)

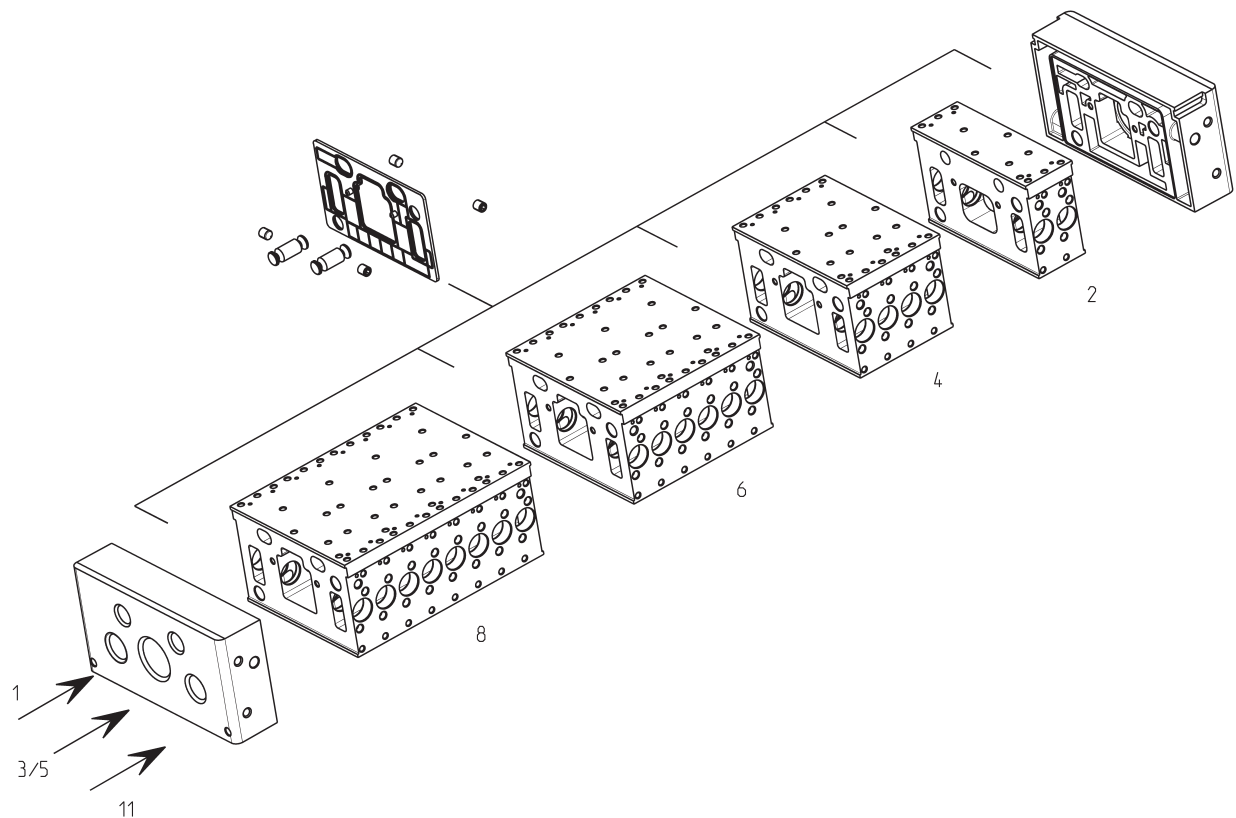


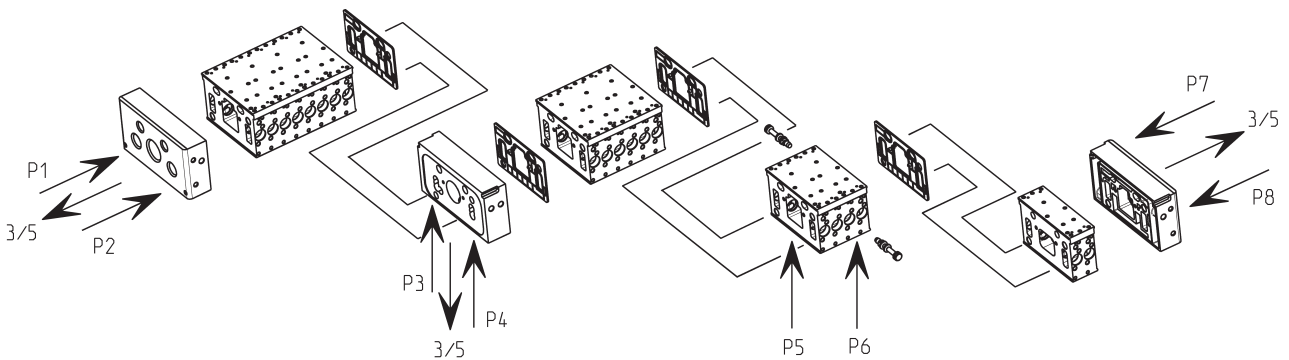
Plate for supplementary supply and exhaust

The two independent supplies allow the same valve to have different pressure values on outlets 2 and 4.

In this way a higher pressure can be used for the working operations and a lower pressure for the repositioning of the actuators, reducing the costs for generating compressed air.

The modularity of 2, 4, 6 or 8 valve positions allows, through the specific seals, to subdivide the island in pressure/exhaust zones without losing valve positions. Functions W or X can be used to supply the intermediate pressure zones of an island.

To avoid any possible problem during exhaust, the exhaust itself has been increased and it passes through on both sides.



Air specifications - filtering elements

To guarantee a proper air quality and to not compromise the functioning of the valves, we advise to adopt filtering elements according to class 3 of table DIN ISO 8573-1.

Filter models:
 MC104-F10
 MC238-F10
 MC202-F10
 N108-F10
 N104-F10



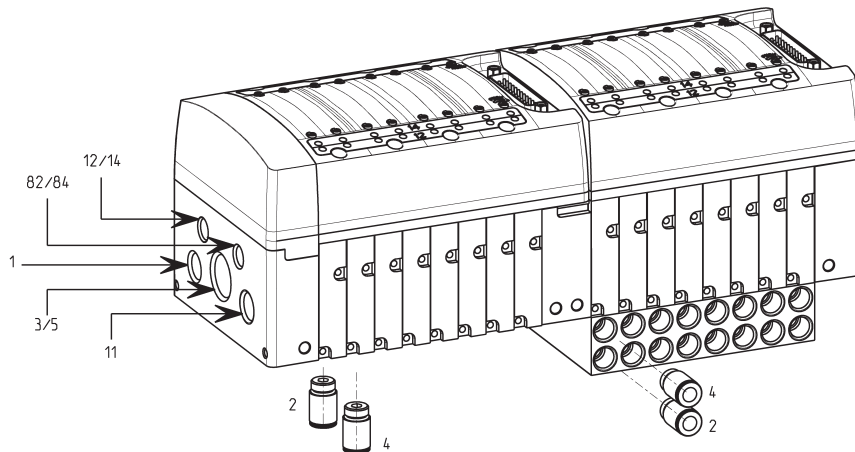
AIR QUALITY CLASS ACCORDING TO STANDARD DIN ISO 8573-1

| Class | Solid bodies | Max. dimension of the particles | Water contents | dew-point | Oil quantity max. concentration mg/m ³ |
|-------|--------------|---------------------------------|----------------|-----------|---|
| 1 | | 0,1 μ | | -70°C | 0,01 |
| 2 | | 1 μ | | -40°C | 0,1 |
| 3 | | 5 μ | | -20°C | 1 |
| 4 | | 15 μ | | +3°C | 5 |
| 5 | | 40 μ | | +7°C | 25 |

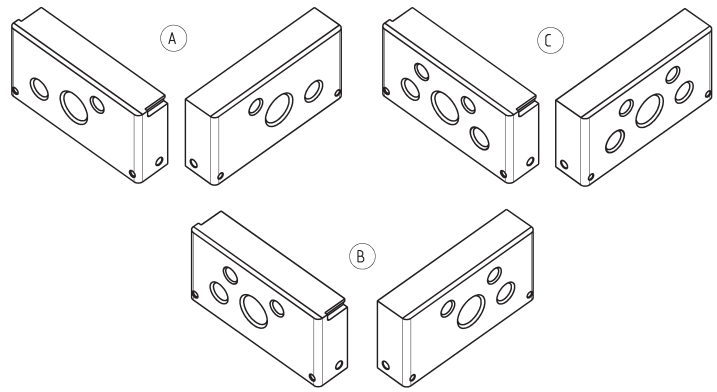
Connection by means of terminal plates

The connection to the compressed air source by means of terminal plates enables different types of connection. The fitting Mod. 6512 * (for dimensions see section 4/1.05) can be connected to inlets 2 and 4.

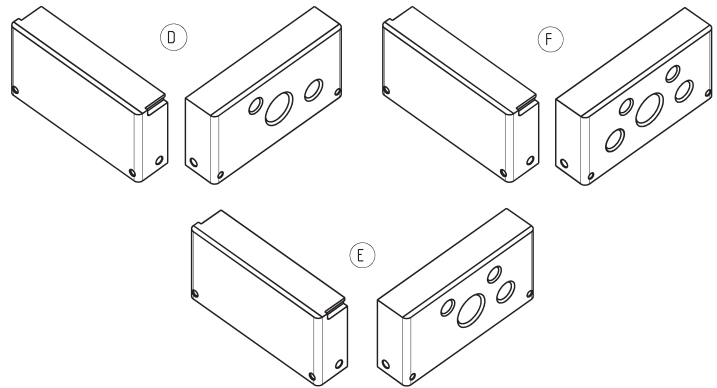
* It is possible to connect the following fittings, supplied with O-ring:
 6512-4-1/8-M
 6512-6-1/8-M
 6512-8-1/8-M



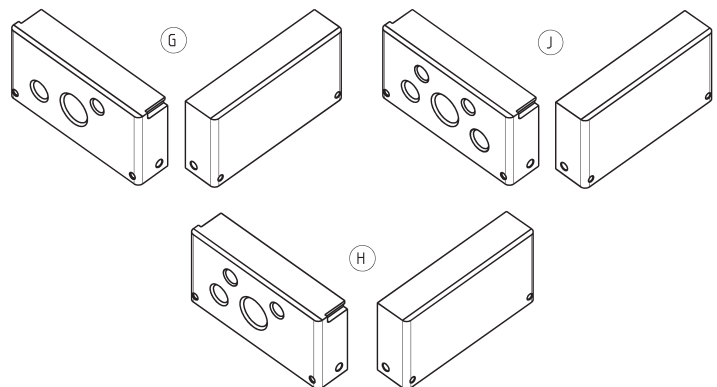
| Supply (1-11) | Exhaust (3/5) | Servo-pilot supply (12/14) | Servo-pilot exhaust (82/84) | Inlets (2-4) |
|---------------|---------------|----------------------------|-----------------------------|--------------|
| G1/4 | G1/2 | G1/8 | G1/8 | G1/8 |

TERMINAL PLATES - pneumatic connections from left and right


| Terminal Plates | | | | | |
|-----------------|--------------------|-------|-----------------------|-------|-----------|
| Code | Common connections | | Separated connections | | |
| A | 1 - 11 | 12/14 | 82/84 | 3/5 | |
| B | 1 - 11 | | 12/14 | 82/84 | 3/5 |
| C | - | | 1 - 11 | 12/14 | 82/84 3/5 |

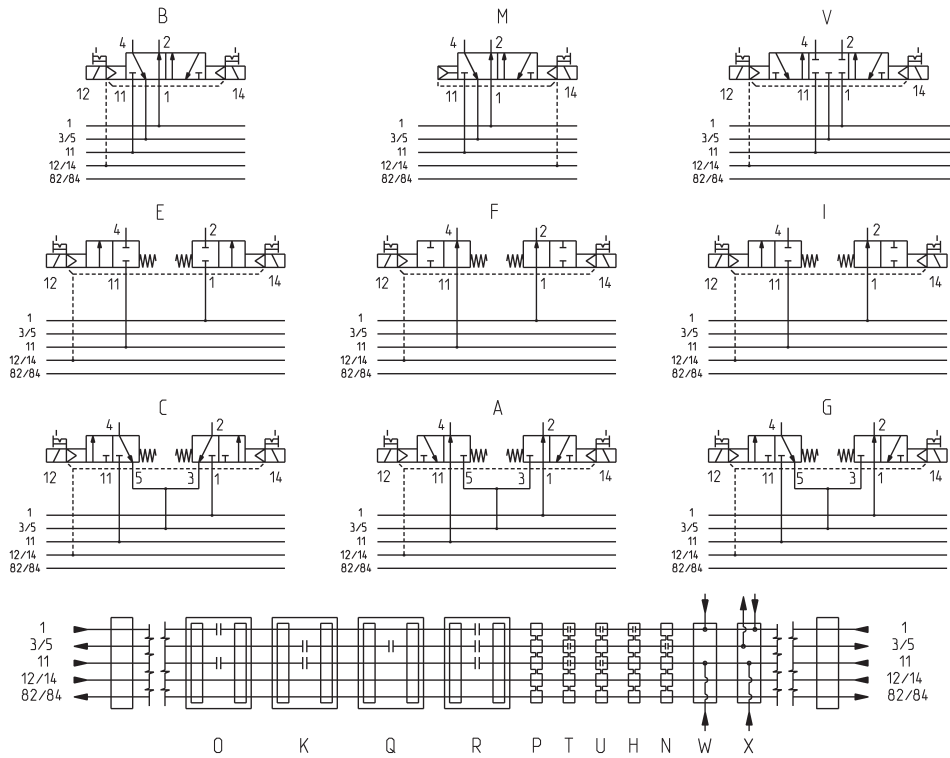
TERMINAL PLATES - pneumatic connections from the right


| Terminal Plates | | | | | |
|-----------------|--------------------|-------|-----------------------|-------|-----------|
| Code | Common connections | | Separated connections | | |
| D | 1 - 11 | 12/14 | 82/84 | 3/5 | |
| E | 1 - 11 | | 12/14 | 82/84 | 3/5 |
| F | - | | 1 - 11 | 12/14 | 82/84 3/5 |

TERMINAL PLATES - pneumatic connections from the left


| Terminal Plates | | | | | |
|-----------------|--------------------|-------|-----------------------|-------|-----------|
| Code | Common connections | | Separated connections | | |
| G | 1 - 11 | 12/14 | 82/84 | 3/5 | |
| H | 1 - 11 | | 12/14 | 82/84 | 3/5 |
| J | - | | 1 - 11 | 12/14 | 82/84 3/5 |

Available functions



| Code | Function | Actuation/return | Working pressure (bar) | Pilot pressure (bar) | Symbol |
|-----------|---|---------------------------|------------------------|----------------------|--------|
| M | 5/2 Monostable | solenoid/pneumatic spring | -0,9 ÷ 10 | 3 ÷ 7 | M |
| B | 5/2 Bistable | solenoid/solenoid | -0,9 ÷ 10 | 3 ÷ 7 | B |
| V | 5/3 Centres Closed | solenoid/solenoid | -0,9 ÷ 10 | 3 ÷ 7 | V |
| I | 2 x 2/2 (1 NO + 1 NC) | solenoid/solenoid | -0,9 ÷ 10 | 3 ÷ 7 | I |
| E | 2 x 2/2 (NC) | solenoid/solenoid | -0,9 ÷ 10 | 3 ÷ 7 | E |
| F | 2 x 2/2 (NO) | solenoid/solenoid | -0,9 ÷ 10 | 3 ÷ 7 | F |
| G | 2 x 3/2 (1 NO + 1 NC) | solenoid/solenoid | -0,9 ÷ 10 | 3 ÷ 7 | G |
| C | 2 x 3/2 (NC) | solenoid/solenoid | -0,9 ÷ 10 | 3 ÷ 7 | C |
| A | 2 x 3/2 (NO) | solenoid/solenoid | -0,9 ÷ 10 | 3 ÷ 7 | A |
| L | Free position | - | - | - | L |
| W | Additional supply from 2 and 4 | - | - | - | W |
| T | Diaphragm seal (module's separation) | - | - | - | T |
| P | Through seal (module's separation) | - | - | - | P |
| T/ | Diaphragm seal (separation of both modules and covers) | - | - | - | T |
| P/ | Through seal (separation of both modules and covers) | - | - | - | P |
| U | Diaphragm seal 3/5 open | - | - | - | U |
| H | Diaphragm seal 3/5 - 11 open | - | - | - | H |
| N | Diaphragm seal 1 - 11 open | - | - | - | N |
| U/ | Diaphragm seal 3/5 open (separation of both modules and covers) | - | - | - | U |
| K | Expansion module, 2 positions with 3/5 - 11 closed | - | - | - | K |
| R | Expansion module, 2 positions with 3/5 - 1 - 11 closed | - | - | - | R |
| O | Expansion module, 2 positions with 1 - 11 closed | - | - | - | O |
| Q | Expansion module, 2 positions with 3 - 5 closed | - | - | - | Q |
| X | Module for additional supply | - | - | - | X |

Cartridges and spools for the creation of valve functions

The different valve functions are obtained by inserting the cartridges and spools in the seats of the pneumatic module. These seats have been designed at right angles with respect to the terminal plates.

The shape of cartridges and spools depends on the valve function required.

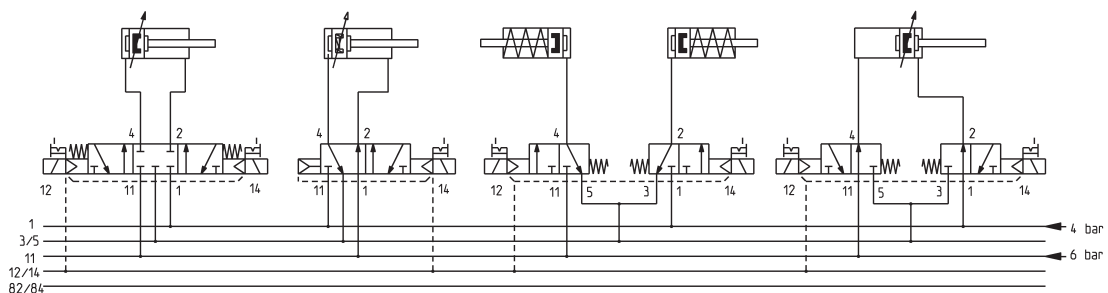
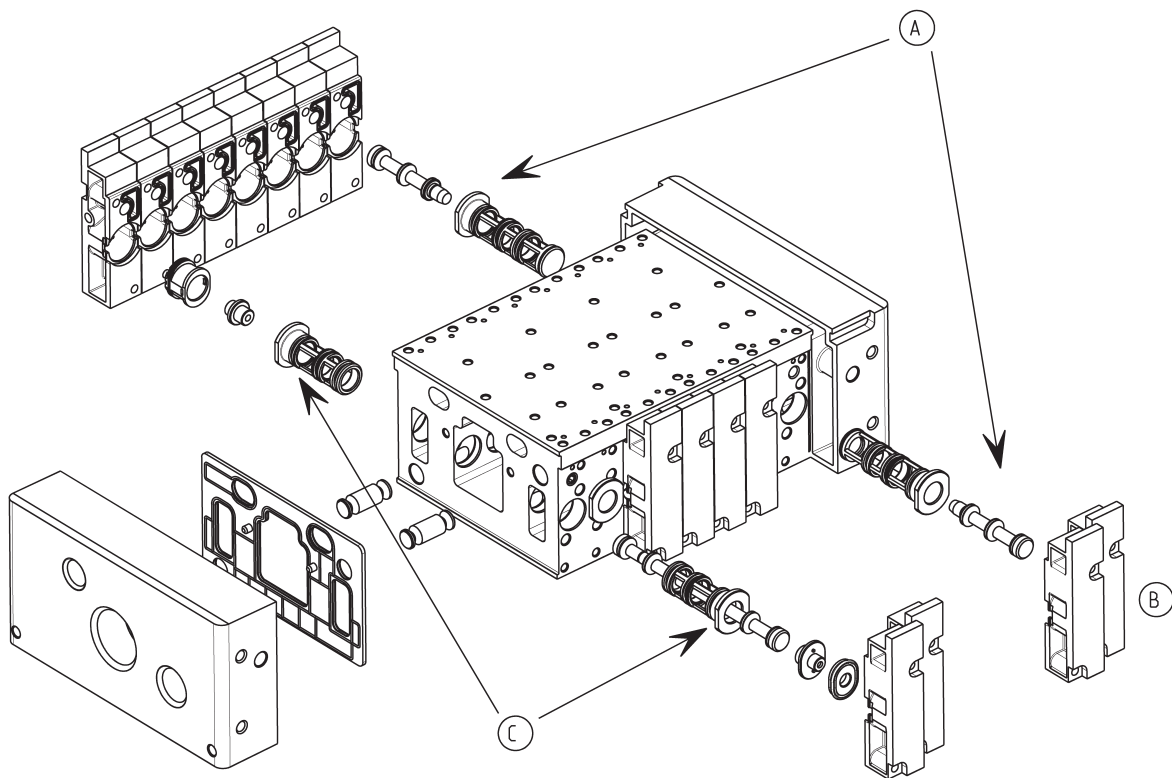
Example:

(A) = Cartridge and spool for a 3/2-way function

(B) = End cover

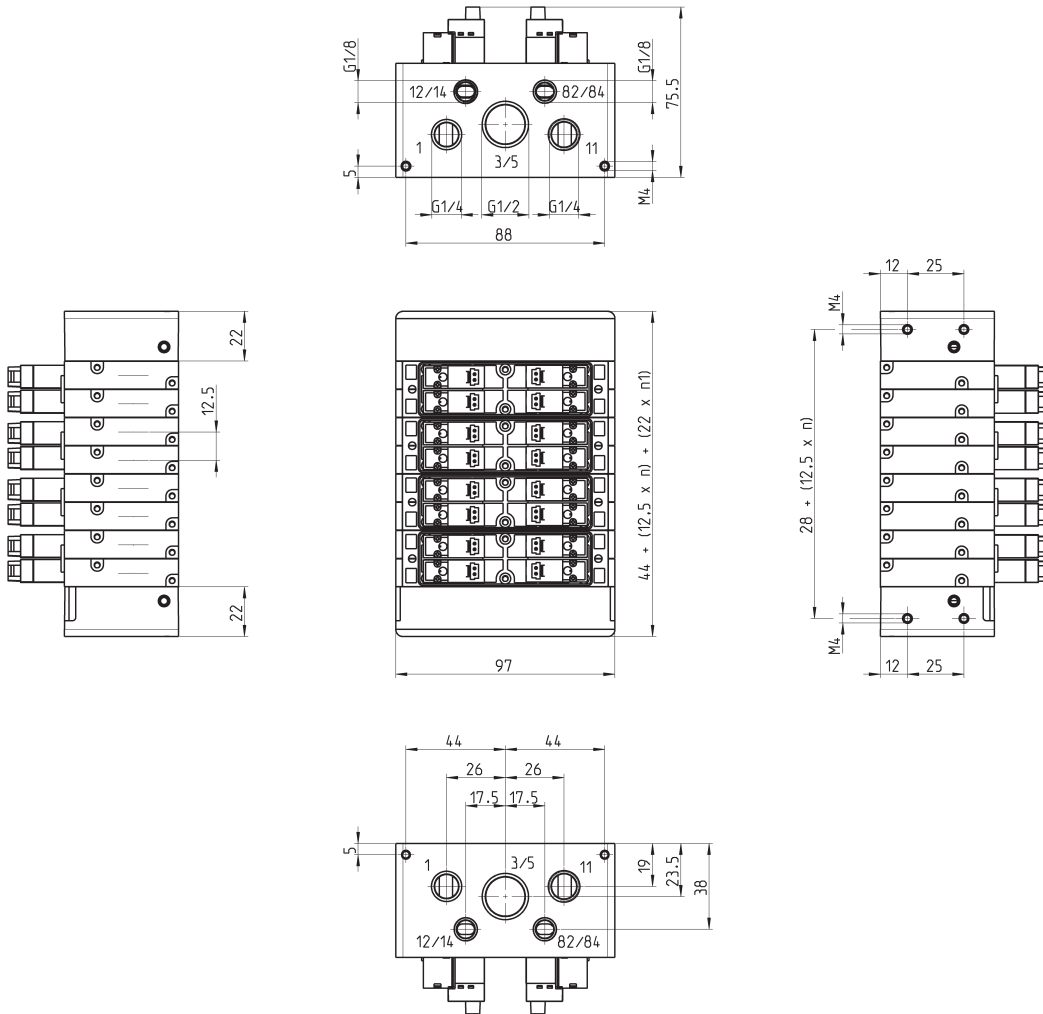
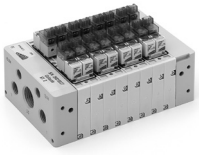
(C) = Cartridge and spool for a 5/2-way function

The modification or maintenance of a valve position is obtained removing the end cover "B" and replacing both the cartridge and the spool. During modification/maintenance, the tubing for the pneumatic connection can stay connected to the island, thus simplifying and optimising the whole operation.



Individual version - dimensions

n = number of valves
 n1 = number of supplementary power supply modules (cod. X)



Covers

The Multipole and Fieldbus versions use covers for the pilot valves, which guarantee the IP65 protection class as well as the mechanical protection of internal parts.

The covers combine:

- manual override in the monostable and bistable functions.
- A simple pressure is enough to obtain a monostable function, whereas the bistable function is obtained coupling a rotation.
- LEDs for the voltage signalling on the coil
 - diagnostic LEDs on Fieldbus versions
 - ports for the electrical connectors
 - integrated electronic boards
 - connection interface with the pilot valves
 - outlet protection against overvoltage, reversed polarity and short circuit
 - connections realized on printed circuit boards

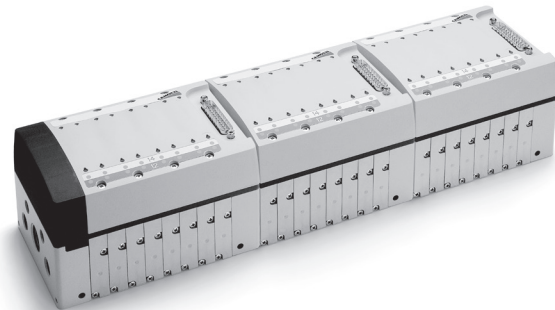


Covers - Multipole version

The Multipole cover is available in three sizes and allows the connection to valve islands with 4, 6 or 8 valve positions. Every position can be freely equipped with either monostable or bistable solenoid.

It is possible to join two or more valve islands placing a plate for intermediate supply, type "X", under every Sub-D plug. Pneumatic modules can be composed of 2, 4, 6 or 8 valve positions and separated by various seals.

A module for additional supply type "X" or a function "W" must be always inserted between two seals separating channels 1 and 11.

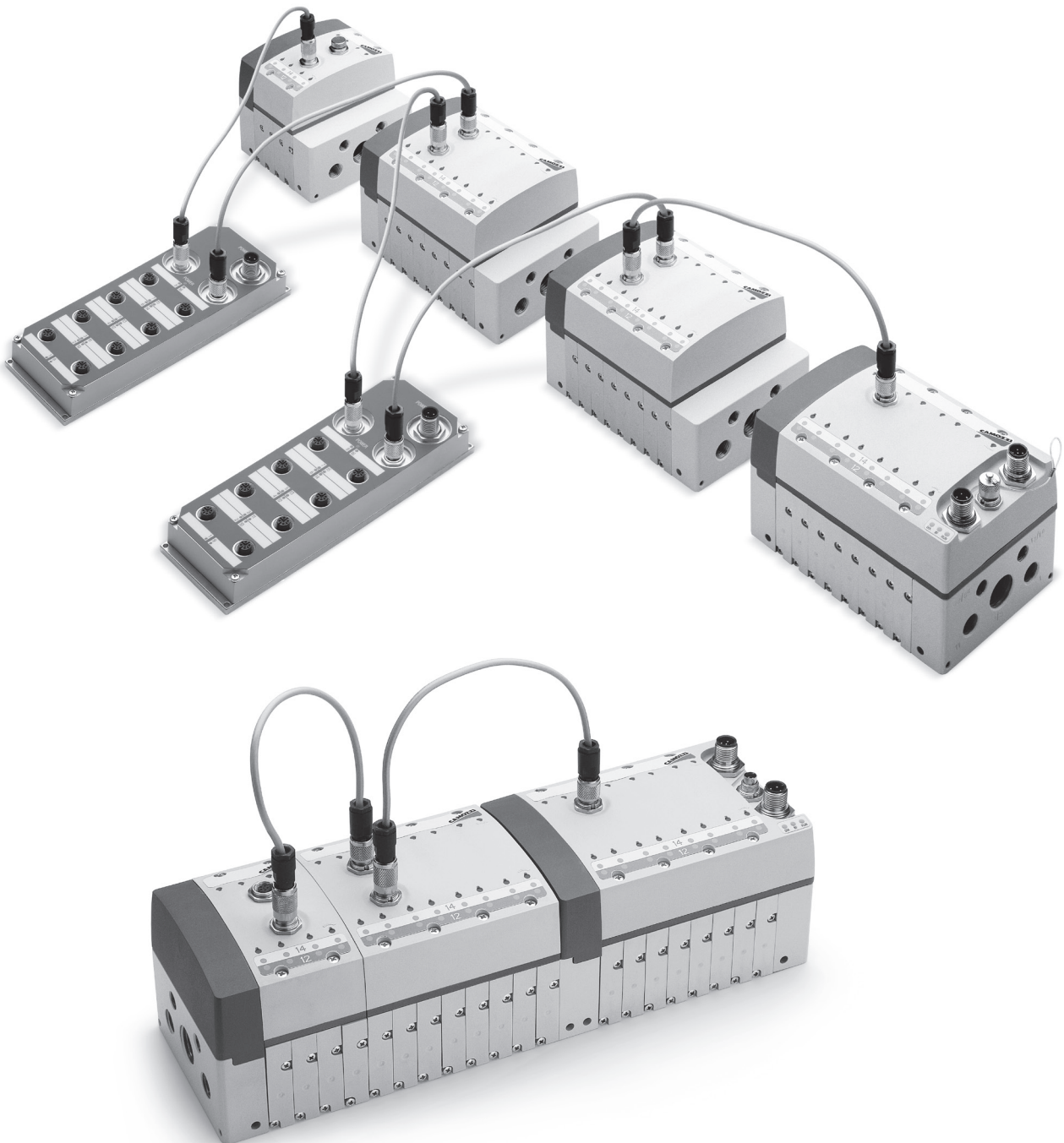


Covers - Fieldbus version

This version allows the direct connection to Profibus-Dp, DeviceNet, CANOpen. The main feature of this version is a starting module called "Initial module" to which the subfieldbus is connected for the management of the expansion modules. The Initial module can arrange up to 32 solenoids (outputs) and 48 inlets. To optimize the electronic part, a proper function allows the remoting of unused outlets on the expansion modules. It is thus possible to pilot 32 solenoids on 32 valve positions without losing any output signal.

Advantages:

- cost reduction thanks to a reduced number of initial modules that can be replaced by expansion modules;
- simplified code as the type of subbase is the same for bistable or monostable solenoid valves;
- saving of electrical signals that are not consumed by free positions and/or diaphragm seals;
- reduced dimensions, simplified connections and optimization of installation costs thanks to the covers modular structure which allows several islands to be joined together.



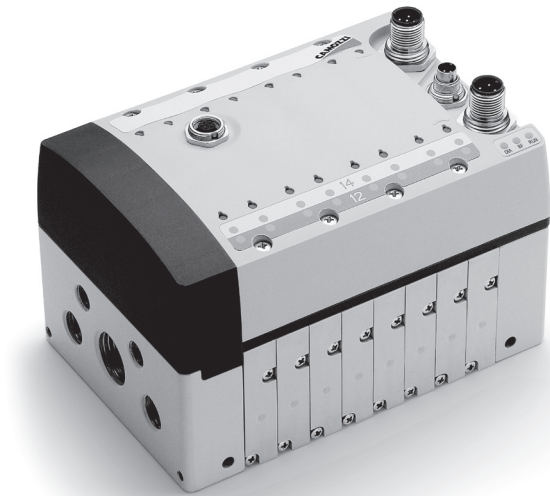
Fieldbus Initial Module - characteristics

The initial module has always 8 positions.

It is only the initial module to which the Fieldbus and electrical supply (24V DC) is connected.

The coils addressing can be sequential or customized by a specific configuration software that can be downloaded from our website <http://catalogue.camozzi.com/Downloads>, as well as the configuration file.

Pneumatic modules, available with 2, 4, 6, or 8 valve positions, can be separated by proper seals and allow the creation of different pressure/exhaust zones.



2

CONTROL

Fieldbus Expansion Module - characteristics

Versions available:

2 valve positions

4 valve positions

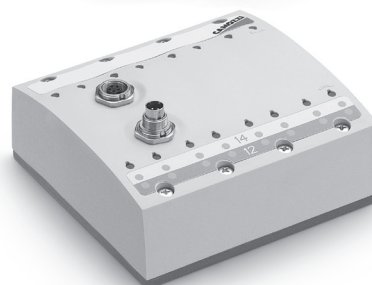
8 valve positions

The expansion modules:

- communicate among themselves and with the initial module through the Cam.I.Net subfieldbus.
- can be easily added to enlarge the valve island, thus avoiding the use and costs of free positions;
- can be positioned up to 50 metres from initial module and subdivided into up to 15 groups.

The particular construction of the islands allows the in-line mounting of all the Expansion modules.

Pneumatic modules, available with 2, 4, 6, or 8 valve positions, can be separated by proper seals and allow the creation of different pressure/exhaust zones.



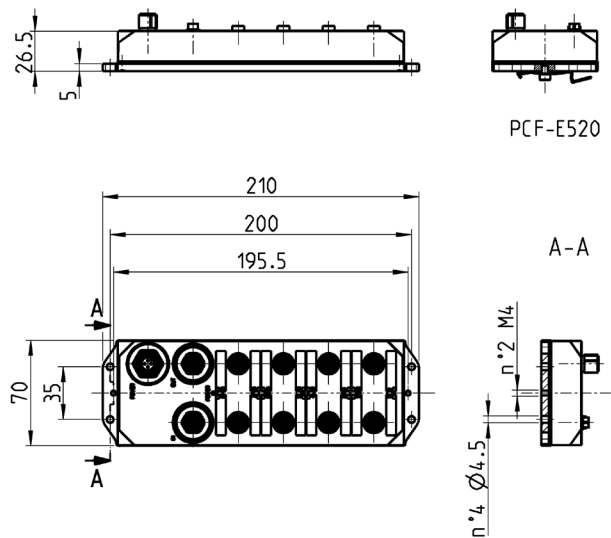
Electrical digital inputs module ME-1600-DL* - Characteristics

It allows the connection of 16 electrical input signals via 8 M12 DUO 5 poles connections. It is thus possible to connect 2 inputs for each connection.
 The input module can be positioned at any point of the Cam.I.Net. sub-fieldbus.
 3 input modules at most can be connected to the initial module, for a total of 48 inputs.

* not for the DeviceNet version

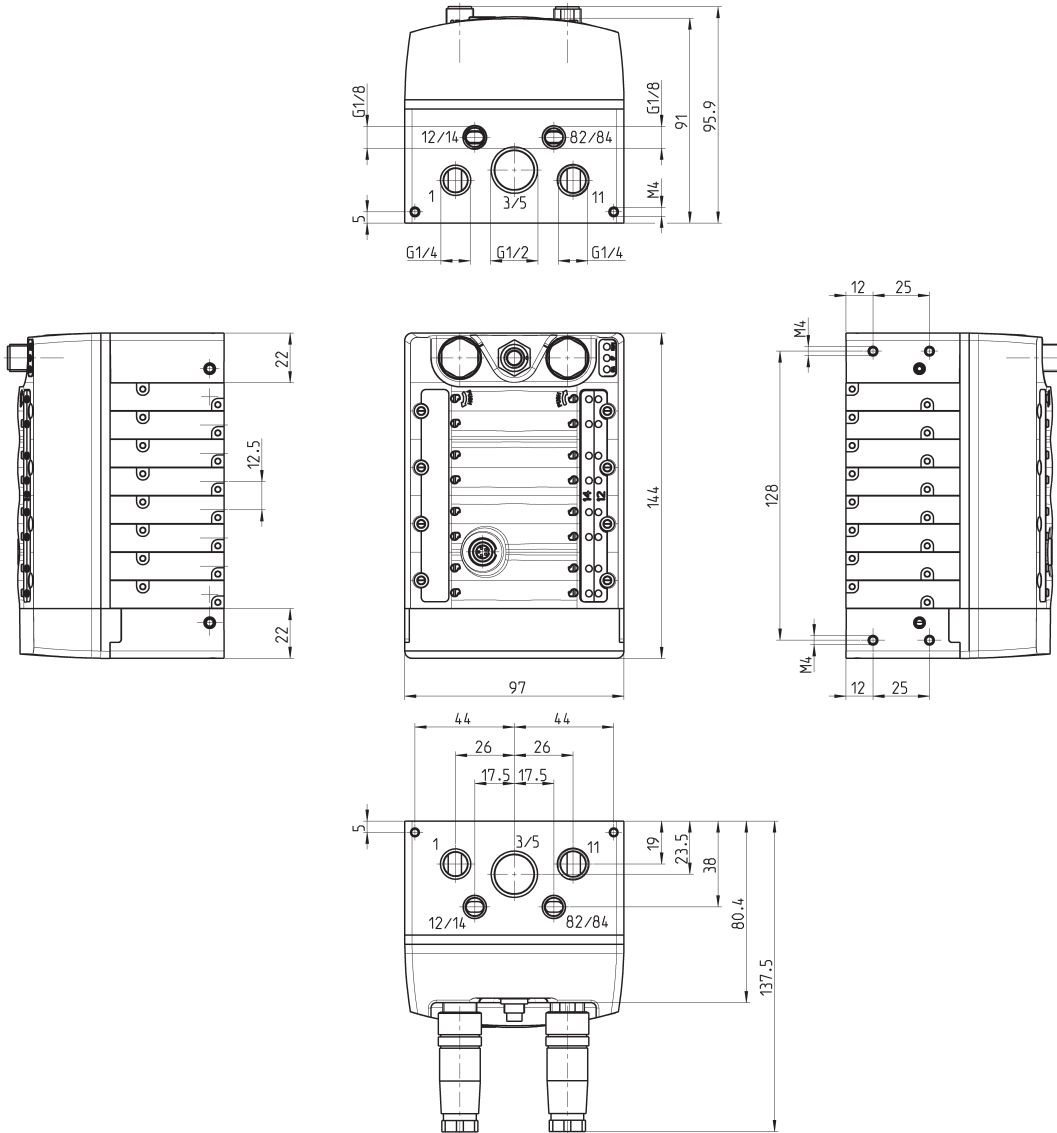

Digital Inputs Module ME-1600-DL* - dimensions

* not for the DeviceNet version

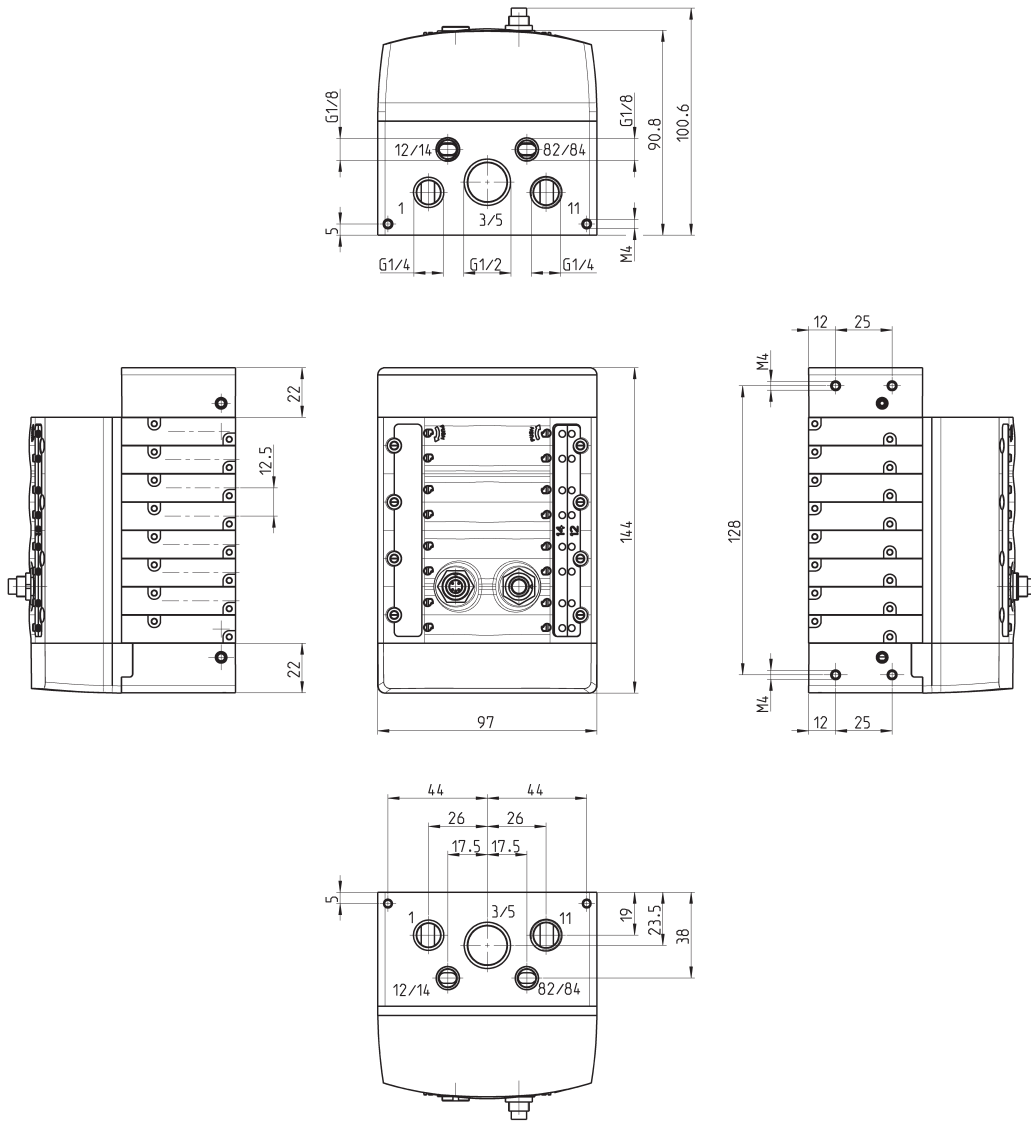
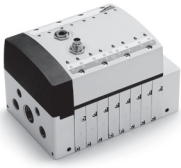


Fieldbus Initial Module - dimensions

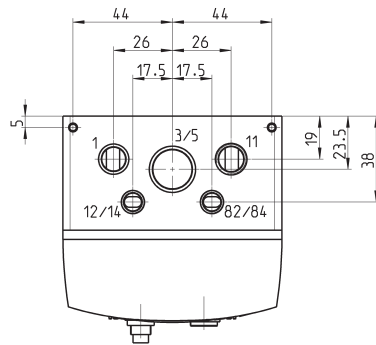
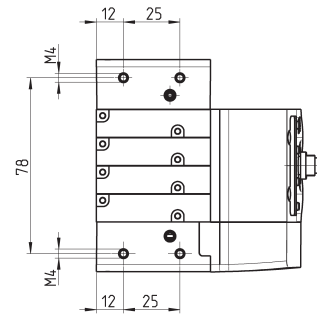
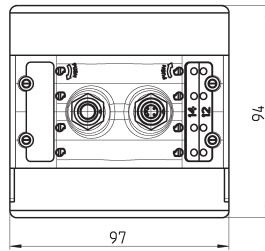
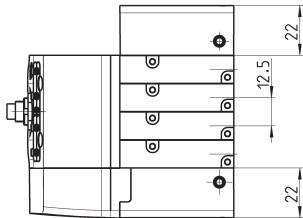
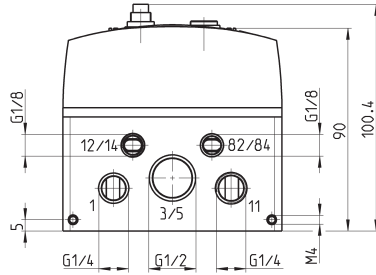
Dimensions don't change according to the different Fieldbus versions (Profibus-DP, CANopen, DeviceNet).



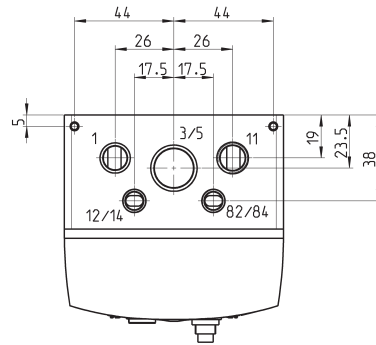
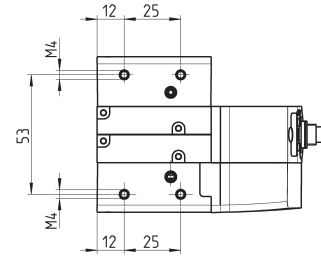
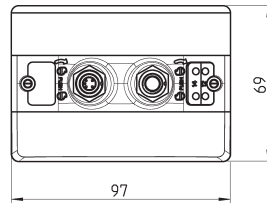
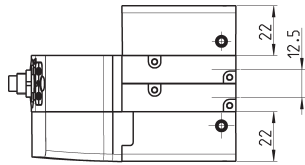
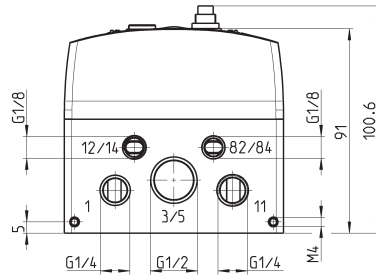
Fieldbus Expansion Module with 8 valve positions - dimensions



Fieldbus Expansion Module with 4 valve positions - dimensions



Fieldbus Expansion Module with 2 valve positions - dimensions



Coding example 1

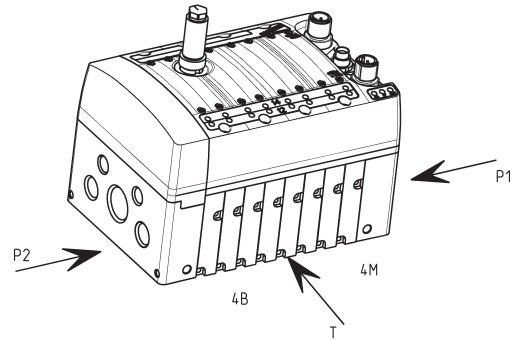
Valve island with Profibus-DP connection made of:

- 4x solenoid valves type M
- 1x diaphragm seal Mod. T
- 4x solenoid valves type B
- Terminals with 1 and 11 in common on both sides and 12 /14 separated.

Code:

YP1P-4MT4B-B

For the code composition see the coding table on page 2/3.10.19


Coding example 2

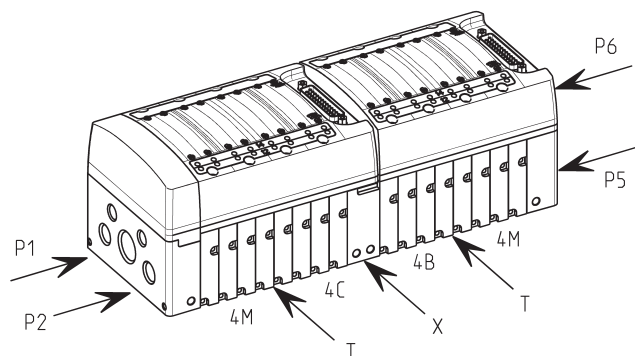
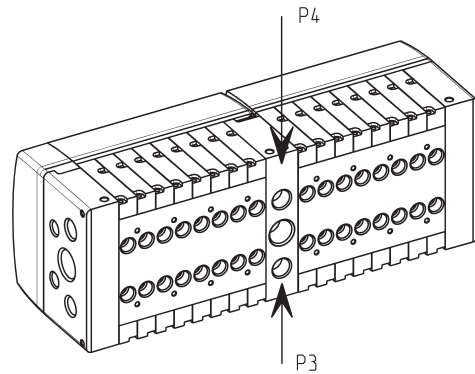
Valve island with Multipole connection made of:

- 4x solenoid valves type M
- 1x diaphragm seal Mod. T for the separation of pressure zones
- 4x solenoid valves type B
- 1x through-out seal Mod. P
- 1x intermediate additional supply module Mod. X
- 1x through-out seal Mod. P
- Terminals with individual connection
- 4x solenoid valves type C
- 1x diaphragm seal Mod. T for the separation of pressure zones
- 4x solenoid valves type M

Code:

YP1M-4MT4BPXP4CT4M-C

For the code composition see the coding table on page 2/3.10.19

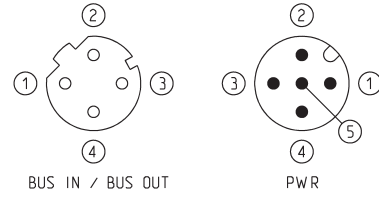
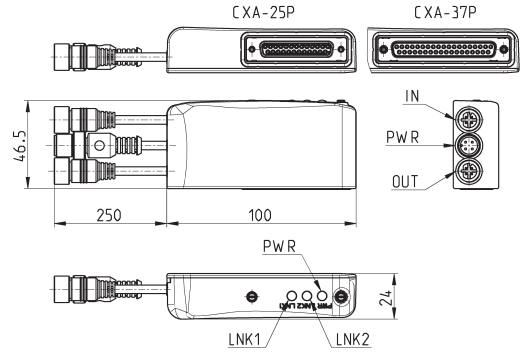


Sub-D adaptor module 25 pin Mod. CXA-25P



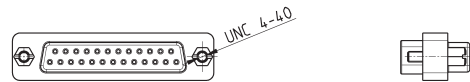
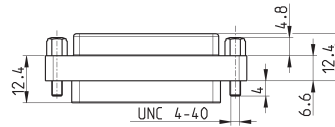
It is an Expansion module of the subnet and can be connected to all valve islands with Sub-D 25 pin connection. It can manage up to a maximum of 24 Output. It has its own M12 A 4 pin male connection for the supply of the valves connected, distinguishing both logic supply and power supply and two M12 D 5 pin female connections for the Bus-IN and Bus-OUT of the subnet. The subnet can have a maximum length of maximum 100 metres. The power of a single Output is 3 W to 24 V DC. Thanks to the PWM technique it is possible to set a power reduction to only maintain operation.

Led 1 = Yellow LNK1
 Led 2 = Yellow LNK2
 Led 3 = Green PWR,
 supply present and OK



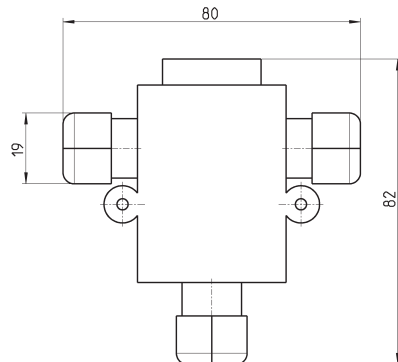
| Mod. | Interface | Digital Outs | Bus-IN connection | Bus-OUT connection | PWR connection | Supply | Power for every Output |
|----------------|--------------|--------------|-------------------|--------------------|-----------------|---------|------------------------|
| CXA-25P | Sub-D 25 pin | 24 | M12D 5 pin female | M12D 5 pin female | M12A 4 pin male | 24 V DC | 3 W |

25M-25F Sub-D adaptor

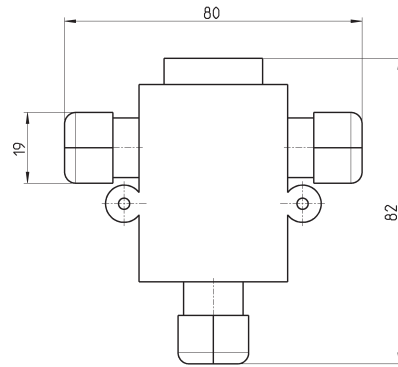


| Mod. | description | type of connector | connection | cable length (m) |
|----------------|-----------------|-------------------|----------------------------|------------------|
| G2X-G2W | moulded adaptor | in line | Sub-D 25 pin female - Male | - |

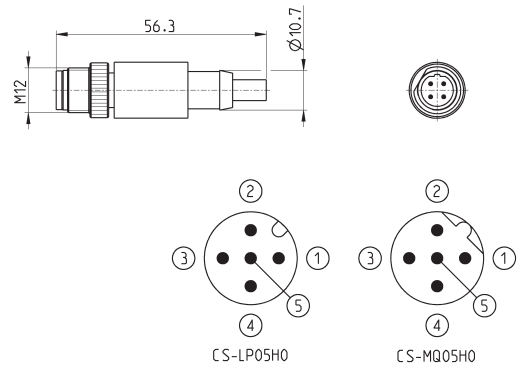
Profibus-DP data line tee



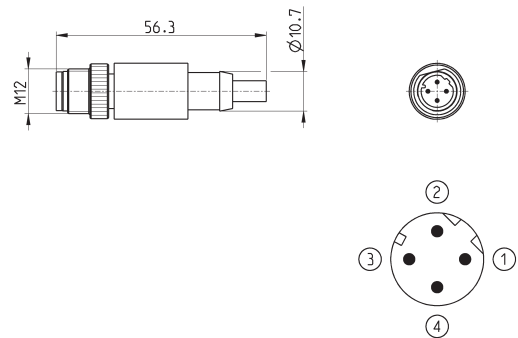
| | |
|------|------------------|
| Mod. | CS-AA03EC |
|------|------------------|

CANopen / DeviceNet data line tee

 Mod.
CS-AA05EC
M12 male terminating resistor

For PROFIBUS, CANopen, DeviceNet



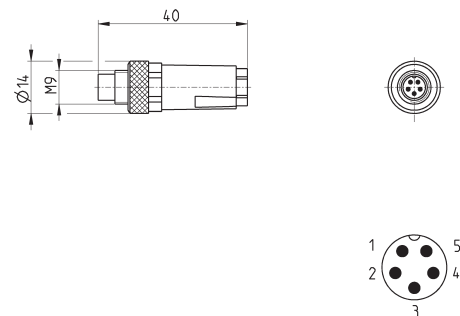
| Mod. | description | type of connector | connection | Protocol |
|------------------|------------------------------|-------------------|------------------|---------------------|
| CS-MQ05H0 | moulded terminating resistor | straight | M12 B 4 pin male | PROFIBUS |
| CS-LP05H0 | moulded terminating resistor | straight | M12 A 5 pin male | CANOpen / DeviceNet |

Series CX subnet terminating resistor


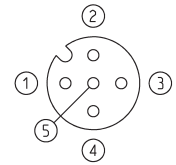
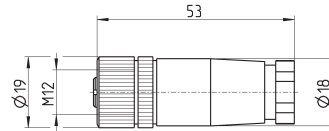
| Mod. | description | type of connector | connection | Protocol |
|------------------|------------------------------|-------------------|-------------|----------|
| CS-SU04H0 | moulded terminating resistor | straight | M12 D 4 pin | subnet |

Terminal resistance Cam.I.Net

Connector with sub-serial terminal resistance

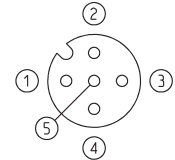
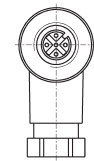
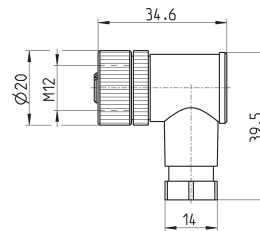

 Mod.
CS-FP05H0

Straight connector for power supply



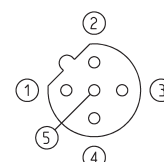
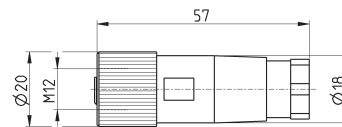
| Mod. | description | type of connector | connection | cable length (m) |
|------------------|-------------|-------------------|--------------------|------------------|
| CS-LF04HB | for wiring | straight | M12 A 4 pin female | - |

Angular connector for power supply

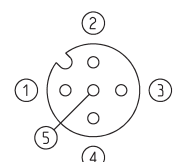


| Mod. | description | type of connector | connection | cable length (m) |
|------------------|-------------|-------------------|--------------------|------------------|
| CS-LR04HB | for wiring | 90° | M12 A 4 pin female | - |

Straight female M12 connectors for Bus-IN



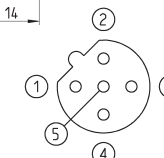
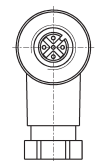
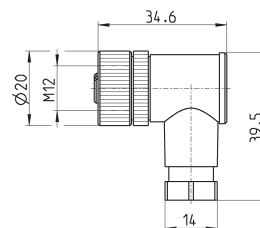
CS-MF05HC



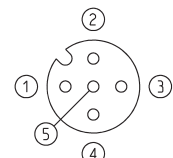
CS-LF05HC

| Mod. | description | type of connector | connection | Protocol |
|------------------|-------------|-------------------|--------------------|---------------------|
| CS-LF05HC | for wiring | straight | M12 A 5 pin female | CANopen / DeviceNet |
| CS-MF05HC | for wiring | straight | M12 B 5 pin female | PROFIBUS |

Angular 90° female M12 connectors for Bus-IN



CS-MR05HC

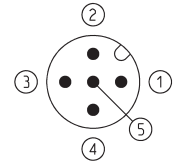
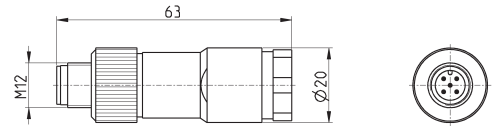


CS-LR05HC

| Mod. | description | type of connector | connection | Protocol |
|------------------|-------------|-------------------|--------------------|---------------------|
| CS-LR05HC | for wiring | 90° | M12 A 5 pin female | CANopen / DeviceNet |
| CS-MR05HC | for wiring | 90° | M12 B 5 pin female | PROFIBUS |

5 pin male straight M12 DUO connector

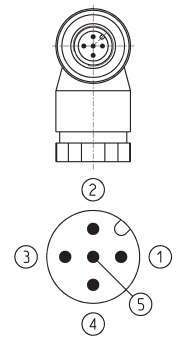
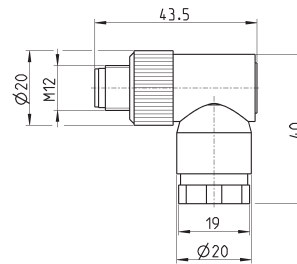
For the connection of the digital input modules.



| Mod. | description | type of connector | connection | cable length (m) |
|-----------|-------------|-------------------|------------------|------------------|
| CS-LD05HF | for wiring | straight | M12 A 5 pin male | - |

5 pin male angular M12 DUO connector

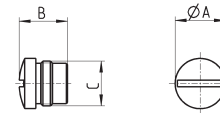
For the connection of the digital input modules.



| Mod. | description | type of connector | connection | cable length (m) |
|-----------|-------------|-------------------|------------------|------------------|
| CS-LH05HF | for wiring | 90° | M12 A 5 pin male | - |

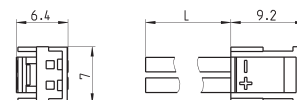
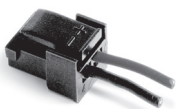
M8 and M12 connector cover caps

For digital and analog input/output modules and subnet



| Mod. | A | B | C [Connection] |
|---------|------|----|------------------|
| CS-LFTP | 13.5 | 13 | M12 |

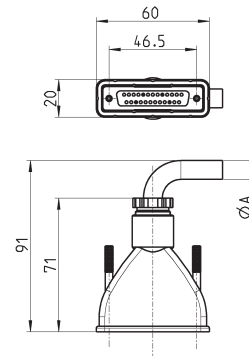
Connector Mod. 121-8.. for Individual version



| Mod. | description | colour | L = cable length (mm) | cable holding |
|---------|---------------|--------|-----------------------|---------------|
| 121-803 | crimped cable | black | 300 | crimping |
| 121-806 | crimped cable | black | 600 | crimping |
| 121-810 | crimped cable | black | 1000 | crimping |
| 121-830 | crimped cable | black | 3000 | crimping |

Straight Sub-D 25 pin female connector with axial cable

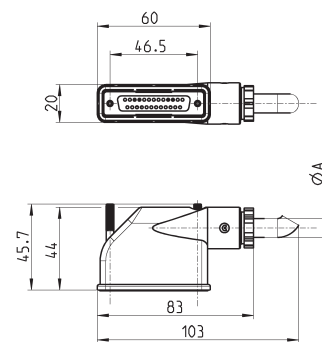
Protection class IP65



| Mod. | ∅A | PIN | cable length (m) |
|--------|-----|-----|------------------|
| G3X-3 | 7.7 | 16 | 3 |
| G3X-5 | 7.7 | 16 | 5 |
| G3X-10 | 7.7 | 16 | 10 |
| G3X-15 | 7.7 | 16 | 15 |
| G3X-20 | 7.7 | 16 | 20 |
| G3X-25 | 7.7 | 16 | 25 |
| G4X-3 | 9 | 25 | 3 |
| G4X-5 | 9 | 25 | 5 |
| G4X-10 | 9 | 25 | 10 |
| G4X-15 | 9 | 25 | 15 |
| G4X-20 | 9 | 25 | 20 |
| G4X-25 | 9 | 25 | 25 |

Right angle Sub-D 25 pin female connector with axial cable

Protection class IP65

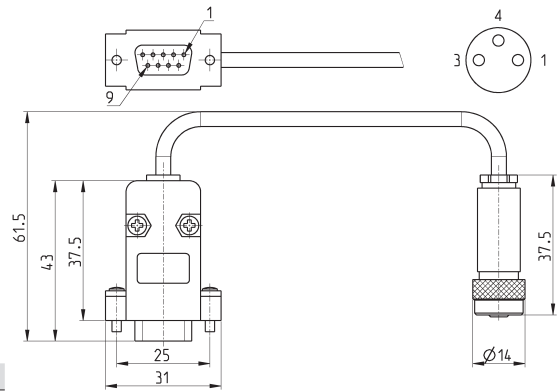


| Mod. | ∅A | PIN | cable length (m) |
|---------|-----|-----|------------------|
| G3X1-3 | 7.7 | 16 | 3 |
| G3X1-5 | 7.7 | 16 | 5 |
| G3X1-10 | 7.7 | 16 | 10 |
| G3X1-15 | 7.7 | 16 | 15 |
| G3X1-20 | 7.7 | 16 | 20 |
| G3X1-25 | 7.7 | 16 | 25 |
| G4X1-3 | 10 | 25 | 3 |
| G4X1-5 | 10 | 25 | 5 |
| G4X1-10 | 10 | 25 | 10 |
| G4X1-15 | 10 | 25 | 15 |
| G4X1-20 | 10 | 25 | 20 |
| G4X1-25 | 10 | 25 | 25 |

Programming cable

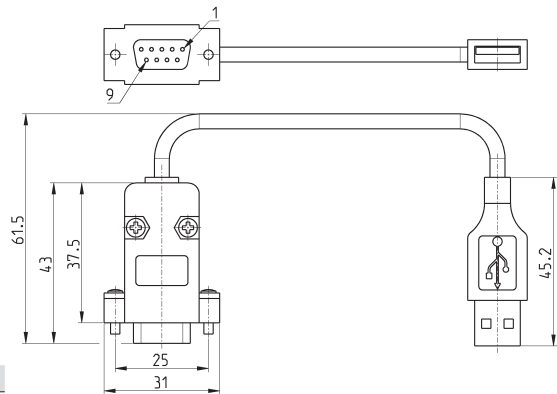


Manuals, configurator and configuration files are available on our website <http://catalogue.camozzi.com> in the section Downloads.



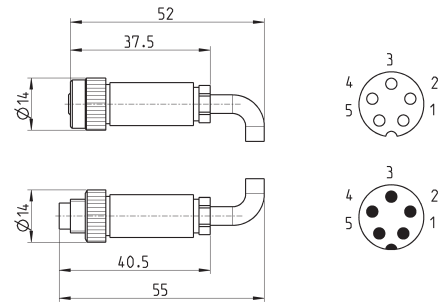
| Mod. | cable length (mt) |
|----------------|-------------------|
| CS-FZ03AD-C500 | 5 |

USB SERIAL converter for programming cable



| Mod. | cable length (m) |
|------------|------------------|
| G8X3-G8W-1 | 1 |

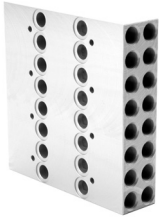
Expansion cable



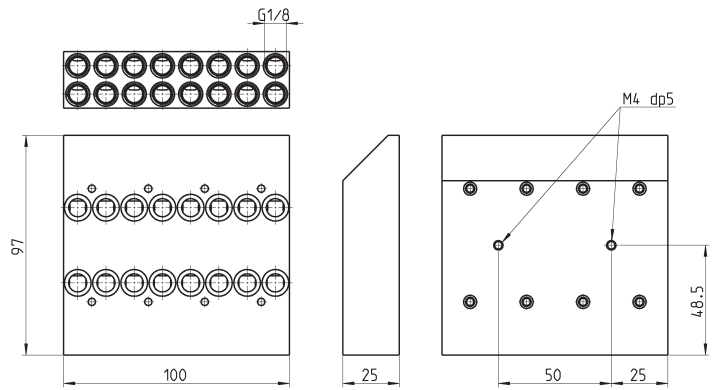
| Mod. | cable length (mt) |
|----------------|-------------------|
| CS-FW05HE-D025 | 0,25 |
| CS-FW05HE-D100 | 1 |
| CS-FW05HE-D250 | 2,5 |
| CS-FW05HE-D500 | 5 |
| CS-FW05HE-DA00 | 10 |

Interface with 8 valve positions

Outlets 2 and 4 are located in the lower part of the module and can be oriented on end-covers side using this interface sub-base.



Supplied with:
1x interface 8 pos.
8x screws M3x25 UNI 5931
16x interface seals



Mod.

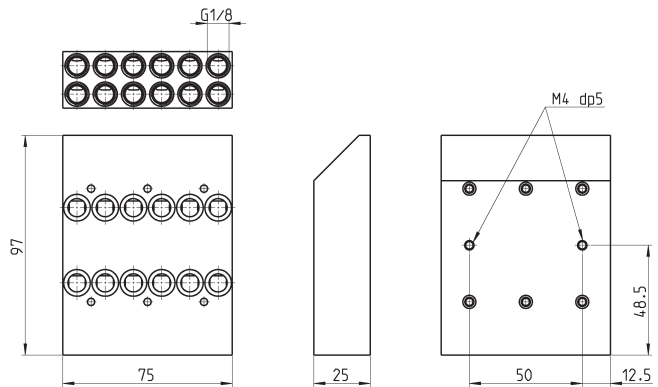
YA1K-N8

Interface with 6 valve positions

Outlets 2 and 4 are located in the lower part of the module and can be oriented on end-covers side using this interface sub-base.



Supplied with:
1x interface 6 pos.
6x screws M3x25 UNI 5931
12x interface seals



Mod.

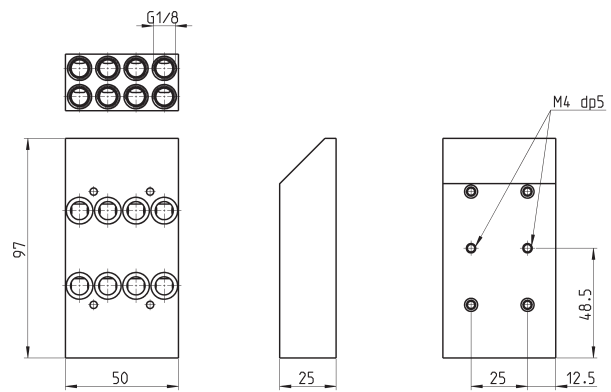
YA1K-N6

Interface with 4 valve positions

Outlets 2 and 4 are located in the lower part of the module and can be oriented on end-covers side using this interface sub-base.



Supplied with:
1x interface 4 pos.
4x screws M3x25 UNI 5931
8x interface seals



Mod.

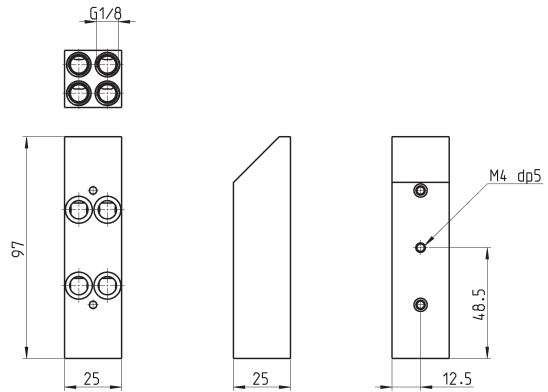
YA1K-N4

Interface with 2 valve positions

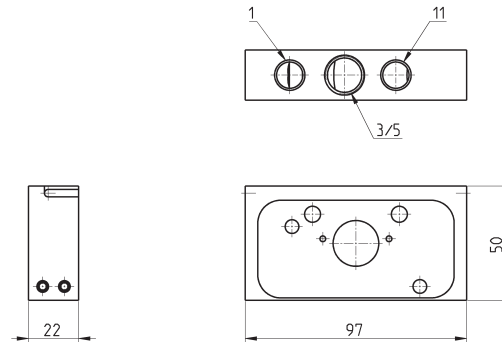
Outlets 2 and 4 are located in the lower part of the module and can be oriented on end-covers side using this interface sub-base.



Supplied with:
 1x interface 2 pos.
 2x screws M3x25 UNI 5931
 4x interface seals



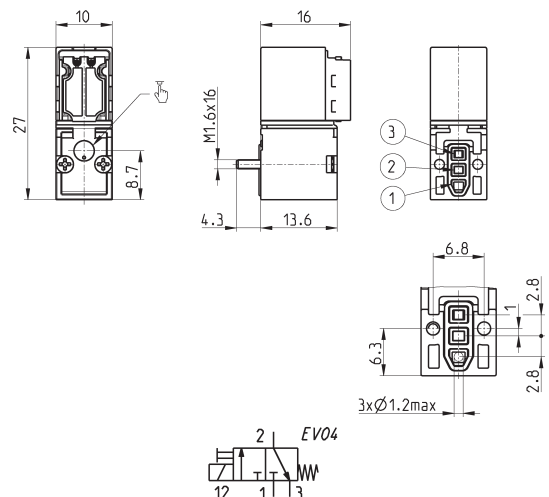
Mod.
YA1K-N2

Intermediate plate for supplementary supplies and exhausts cod. X


| | | | |
|-------------------|------|------|------|
| Mod. | 1 | 3/5 | 11 |
| YA1K-N1X/1 | G1/4 | G3/8 | G1/4 |

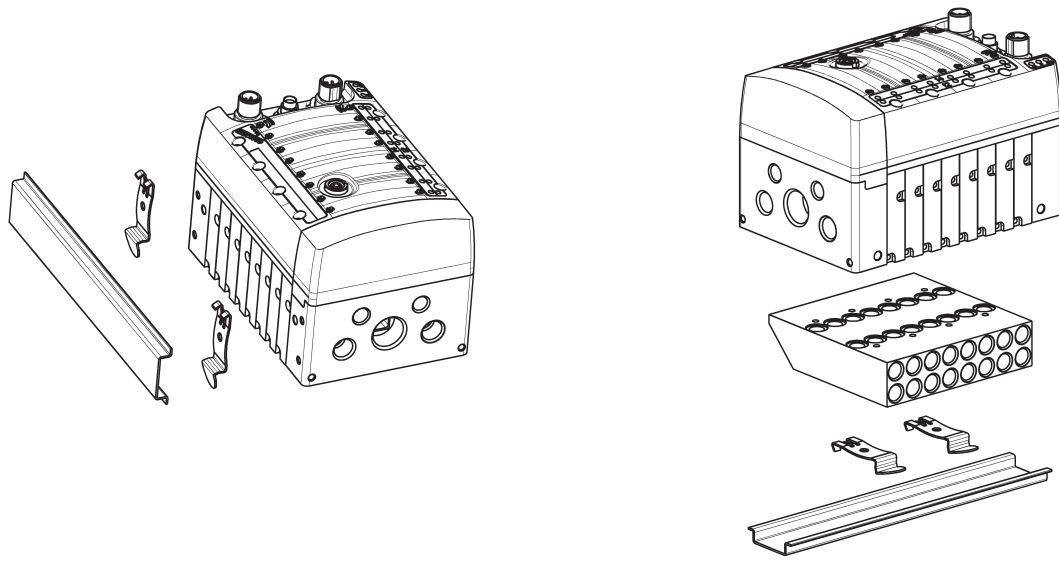
Solenoid valve Mod. KN000-303-KY3N - spare part for Series Y

Supplied with:
 1x interface seal
 2x screws M1.6x16 UNI 10227



Mod.
KN000-303-KY3N

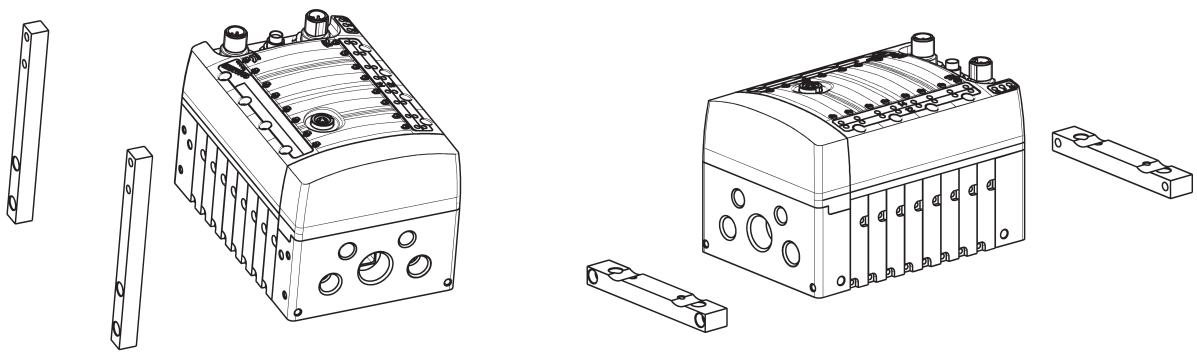
Mounting solutions on DIN EN 50022 rail



2

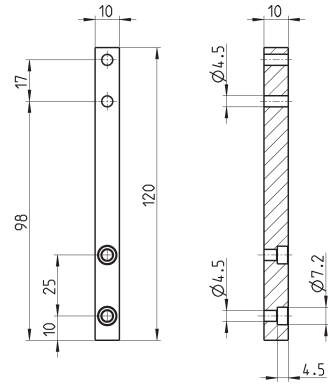
CONTROL

Wall mounting solutions



Vertical foot

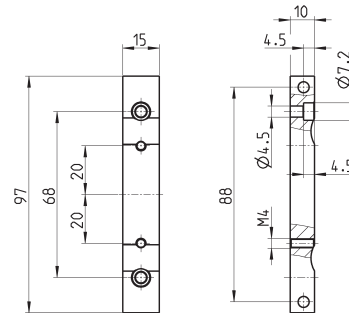
Supplied with:
2x vertical feet
2x screws M4x10 UNI 5931



Mod.

YA1K-B2
Horizontal foot

Supplied with:
2x horizontal feet
2x screws M4x14 UNI 5931

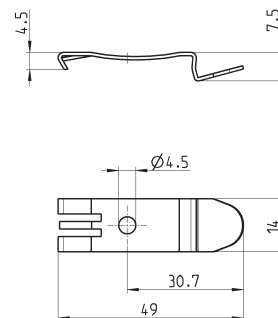


Mod.

YA1K-B1
Mounting brackets for DIN rail

DIN EN 50022 (7,5mm x 35mm - width 1)

Supplied with:
2x plates
2x screws M4x6 UNI 5931



DIMENSIONS

Mod.

PCF-E520