



Stainless steel strainer

60-1 ES to 60-8 ES

PN 40
DN 8 to DN 50

Ordering data

Strainer			Accessories		Spare parts	
Order No. – Ident No.	DN	Thread ISO 228	Strainer inserts Mesh size 0.6 mm	Sealing rings (PTFE) for cover	Cover	
	[mm]	G	Order No. – Ident No.	Part No.		
60-1 ES -- 105674	8	1/4	62 ES - 105682	2824.4.9	6015.1.95	
60-2 ES -- 105675	10	3/8	62 ES - 105682	2824.4.9	6015.1.95	
60-3 ES -- 105676	15	1/2	62 ES - 105682	2824.4.9	6015.1.95	
60-4 ES -- 105677	20	3/4	63 ES - 105683	3330.4.0	6045.1.05	
60-5 ES -- 105678	25	1	64 ES - 105684	4339.4.0	6055.1.05	
60-6 ES -- 105679	32	1 1/4	65 ES - 105685	4542.4.0	6065.1.05	
60-7 ES -- 105680	40	1 1/2	66 ES - 105686	5450.4.0	6075.1.05	
60-8 ES -- 105681	50	2	67 ES - 105687	6360.4.0	6085.1.05	

Materials

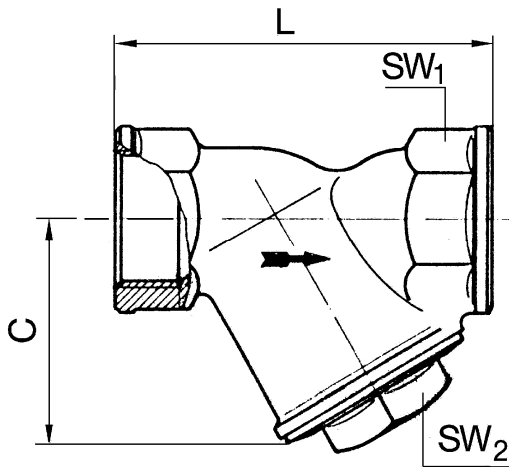
Housing	1.4408
Head piece	1.4408
Strainer	1.4401
Seal	PTFE

Description

- Stainless steel strainer with insert made of non-rusting chromium-nickel steel
- Double-walled strainer design
 - Outer cover: perforated plate
 - Insert : wire mesh
- **Strainer mesh size 0.60 mm**

Applications

- Pipeline fittings PN 40 up to 180 °C
- For liquids, gases and vapours; water; mineral, heating and hydraulic oils; fuels. All aggressive media in a liquid or gaseous state to which the materials used are resistant



Dimensions [mm]

Art. No.	Port G DIN EN ISO-228	DN	C	L	a/f 1	a/f 2
60-1 ES	1/4	8	47	65	26	19
60-2 ES	3/8	10	47	65	26	19
60-3 ES	1/2	15	47	65	26	19
60-4 ES	3/4	20	60	80	33	21
60-5 ES	1	25	71	90	41	27
60-6 ES	1 1/4	32	77	105	49	28
60-7 ES	1 1/2	40	87	120	56	32
60-8 ES	2	50	103	140	69	41

Dimensions [mm] of strainer inserts

Art. No.	Height	Ø
62 ES	34.0	19
63 ES	44.0	24
64 ES	53.0	31
65 ES	58.0	36
66 ES	67.0	44
67 ES	78.0	52