

Segmented disc orifice 5010

DN 25 up to DN 150

continuous adjustable orifice for adjusting a defined flow precisely

- continuously adjustable when installed
- manual adjustment with protection
- defined characteristic curve
- with travel stops in the end positions
- space saving wafer type construction
- low weight
- quiet operation
- high Kvs-values



technical operation

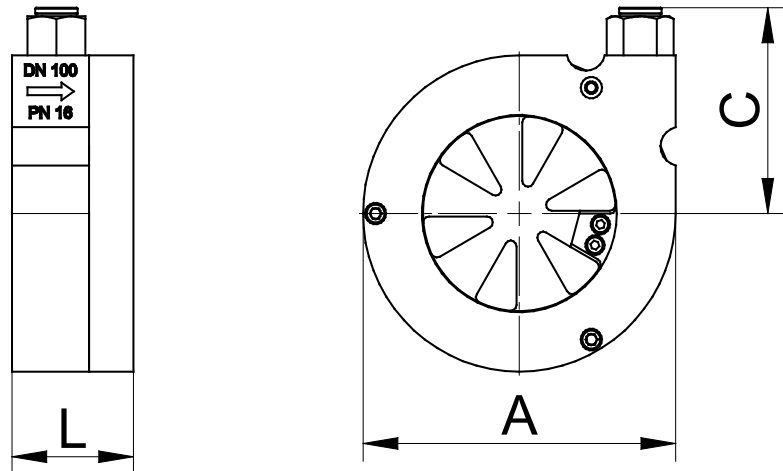
Body design	flangeless, wafer-type construction for flanges acc. DIN EN 1092-1, form B (other versions on request)
Nominal size	DN 25 to DN 150
Nominal pressure	PN 16 acc. DIN 2401 (also for flanges PN 10)
Fluid temperature	carbon-steel body: -10°C to +220°C bronze body: -30°C to +170°C
Seals	NBR -30°C to +100°C
	EPDM -30°C to +140°C
	FKM -15°C to +180°C
	PTFE -30°C to +220°C

materials

body	carbon steel 1.0570
seals	NBR
adjustment screw	stainless steel 1.4571
compression spring	stainless steel 1.4310
moving valve disc	construction steel 1.0503
fixed valve plate	case hardening steel 1.7131
toothed segment	construction steel 1.0503
reducing part	construction steel 1.0503

installation dimensions

build up
DN25 - DN150:



DN	A	C	L	Weight (kg)	KVS [m ³ /h]
25	85	67	35,5	1,5	6,8
32	100	74	36	2	15
40	110	80	36	2,4	24
50	107	80	43	2,7	38
65	127	76	46	4	52
80	142	85	62	6,4	87
100	162	106	63	8,3	138
125	192	121	69	13,3	275
150	218	114	75	17	410

dimensions in mm