

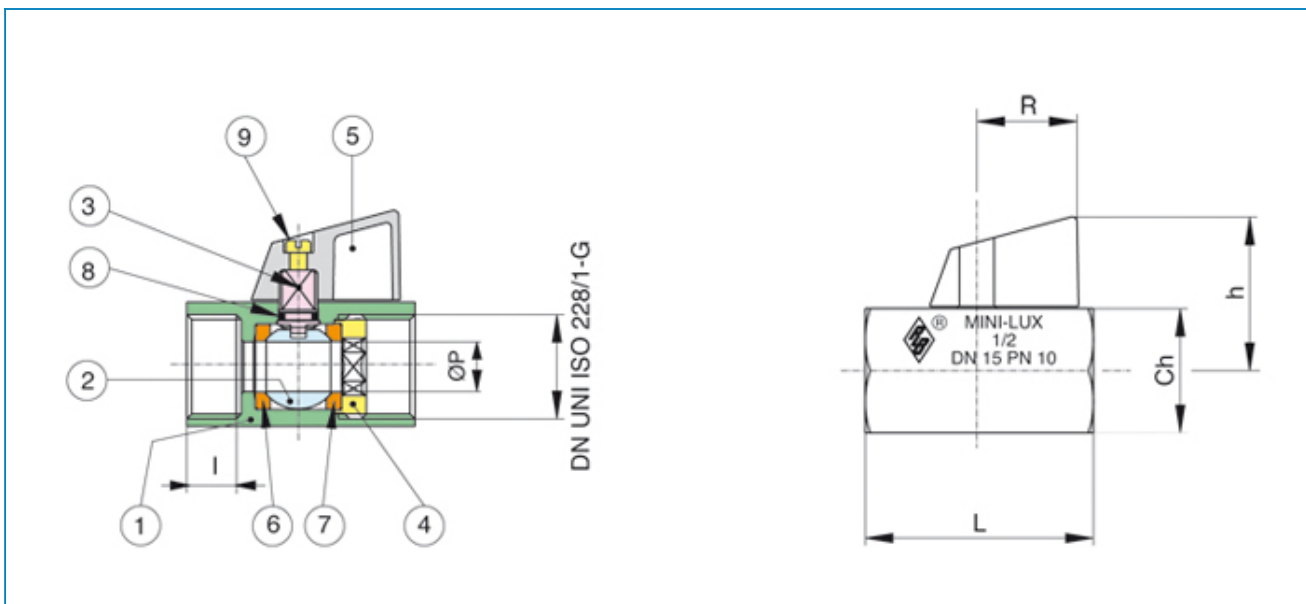


Serie **MINI**

Articolo **3730**

MINI-LUX

Ball valve, F/F threaded, chrome plated, with handle.



| POS. | PART NAME | MATERIALE-MATERIALS MATERIAUX-WERKSTOFF- MATERIAL | N°P |
|------|-----------|---|-----|
| 1 | BODY | OTTONE CW617N UNI EN 12165 | 1 |
| 2 | BALL | OTTONE CW614N UNI EN 12164 | 1 |
| 3 | STEM | OTTONE CW614N UNI EN 12164 | 1 |
| 4 | WASHER | OTTONE CW614N UNI EN 12164 | 1 |
| 5 | HANDLE | ABS | 1 |
| 6 | BALL SEAT | P.T.F.E | 1 |
| 7 | BALL SEAT | P.T.F.E | 1 |
| 8 | O-RING | NBR | 1 |
| 9 | SCREW | ACCIAIO DD11 | 1 |

| MISURA SIZE | DN | BOX | MASTER BOX | CODICE CODE | ØP | I | L | h | Ch | R | Kv | PN | Kg |
|-------------|----|-----|------------|-------------|----|----|----|----|----|------|-----|----|------|
| 1/8" | 6 | 30 | 180 | 3730010000 | 8 | 8 | 41 | 29 | 21 | 20,5 | 4,3 | 10 | 0,11 |
| 1/4" | 8 | 30 | 180 | 3730020000 | 8 | 10 | 41 | 29 | 21 | 20,5 | 4,3 | 10 | 0,10 |
| 3/8" | 10 | 30 | 180 | 3730030000 | 8 | 10 | 41 | 29 | 21 | 20,5 | 2,7 | 10 | 0,08 |
| 1/2" | 15 | 20 | 120 | 3730040000 | 10 | 11 | 46 | 31 | 25 | 20,5 | 5,4 | 10 | 0,13 |

Limiti di temperatura: -20°C +90°C - Temperature range: -20°C +90°C.