

Safety Valves, angle type, bronze, type tested TÜV-SV.749. F

Standard safety valve
 with soft valve seal for fluids, open bonnet,
 with diaphragm for protection of the spring, with lifting device
 In- and outlet: female thread type G (BSPP) acc. to ISO 228/1

Part No. 06370.X.0000

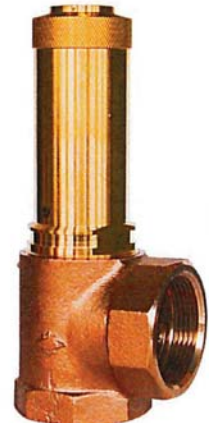
with NBR valve seal

Part No. 06370.X.0700

with FPM valve seal

Available options - on request only:

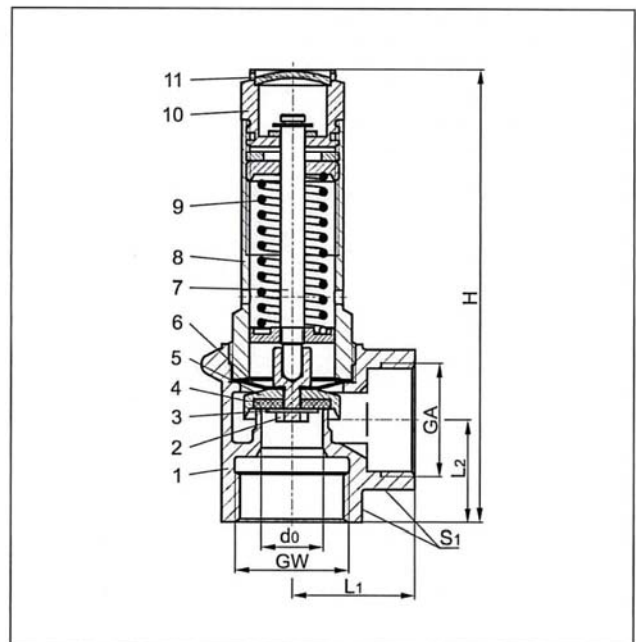
- stainless steel spring - material 1.4571
- external parts nickel plated



Applications:

Provided as safety device for protection against excessive pressure in pressure vessels.
 Approved for non-adhesive fluids, which are not vaporized during blow off.
 Working temperature: -10°C / +14°F (263K) up to +110°C / +230°F (383K)

Materials	DIN EN	ASTM
1 Body	CC491K	B 62 UNS C83600
2 Disc nut	CW614N	B 283 UNS C38500
3 Plate	CW507L	B 30 UNS C26800
4 Valve seal	NBR or FPM	
5 Disc	CW614N	B 283 UNS C38500
6 Diaphragm	NBR	
7 Stem	CW614N	B 283 UNS C38500
8 Bonnet	CW614N	B 283 UNS C38500
9 Spring	1.1200	A 576 Grade 1045
10 Lifting device	CW614N	B 283 UNS C38500
11 Closing cap	CW507L	B 30 UNS C26800



Essential: Valves are delivered at a set pressure, therefore when ordering please confirm set pressure, medium and temperature.

Standard marking acc. to Pressure Equipment Directive 97/23/EG (PED).



Type 06370	Technical data						
Nominal size	GW	1/2	3/4	1	1-1/4	1-1/2	2
Orifice	d ₀	12	15	18	20	24	28
Dimension code	.X.	0400	0600	1000	1200	1400	2000
Set pressure range	bar	1.0-16	1.0-16	1.0-16	1.0-16	1.0-16	1.0-16
Outlet	GA	1/2	3/4	1	1-1/4	1-1/2	2
Height	H	92	111	132	152	175	200
Length	L ₁	25	30	36	40	48	56
Length	L ₂	20	25	30	35	40	48
Wrench size across flats	S ₁	27	32	41	50	58	70
Weight	ca. kg	0.24	0.40	0.70	1.07	1.65	2.65
Coeff. of discharge	α _w	0.20	0.25	0.31	0.39	0.42	0.38

Dimensions in mm.

Department eDocumentation

Phone. +49 7125 9497-41, -42, -53, -260, -330

Fax. +49 7125 9497-99

e-mail: eDocumentation@riegler.de

edition 01/2013 Subject technical changes.

RIEGLER & Co. KG

www.riegler.net

Discharge capacities

Calculation of mass flow acc. to AD2000-Merkblatt A2

Medium:

Water in kg/h at 20°C**The capacity indicated below is for a fully opened valve.** d_0 - orifice A_0 - flow area

Set pressure in bar (ü)	GW	1/2	3/4	1	1-1/4	1-1/2	2
	d_0 (mm)	12.0	15.0	18.0	20.0	24.0	28.0
	A_0 (mm ²)	113.1	176.7	254.5	314.2	452.4	615.8
	Medium	Water					
1.0		1207	2357	4213	6543	10146	12496
2.0		1706	3333	5958	9254	14349	17671
3.0		2090	4082	7297	11334	17574	21643
4.0		2413	4713	8426	13087	20293	24991
5.0		2698	5270	9420	14632	22688	27941
6.0		2956	5773	10320	16028	24853	30608
7.0		3193	6235	11146	17312	26845	33060
8.0		3413	6666	11916	18508	28698	35343
9.0		3620	7070	12639	19630	30439	37487
10.0		3816	7453	13322	20692	32085	39515
12.0		4180	8164	14594	22667	35148	43286
14.0		4515	8818	15763	24483	37964	46754
16.0		4827	9427	16852	26174	40585	49983