

GENERAL SPECIFICATIONS

The VALBIA electric actuators are suitable for the automation of ball and butterfly valves for the industrial and construction sector. The usage of electronic components of last generation, together with precise mechanic, fruit of careful research and development, enables high performance and long-term reliability of the product.

The range has been manufactured with following characteristics:

- The housing of the actuators provides a V0 self-extinguish Class techno-polymer material.
- The kinematics is made by two steel and techno-polymer gear wheels, sustained by hardened steel pinions, mounted on self-lubricating bushes (excluding mod. VB015), and inserted in a strong structure of die-cast aluminium.
- The connection part of the actuators with the valves, is made by a die-casted and painted aluminium plate cataphoresis, with a dual drilling interface as per the ISO5211 – DIN 3337 Standard.
- The electronic circuit adjusts automatically the motor speed depending on the mechanical charge variations in order to drive the cycle always in the same time.
- All actuators are provided with an electronic system for torque limiter.
- The whole actuator range is standard provided of Heater actives with the powered actuator.
- Whole range of actuators (except for VB015 and for 12V power supply) are modulable: standard setting is 4-20 mA or 0-10 V. Reverse option 20-4 mA or 10-0 V is programmable (except for 12 V power supply).
- All electric actuators (except for VB015) can be equipped with linear potentiometer ratind 5K Ω .
- All electric actuators (except for VB015 and for 12V power supply), can be equipped with battery for emergency control.

MODEL		VB015	VB030	VB060	VB110	VB190	VB270	VB350
MAX WORKING TORQUE (Nm)		15	30	60	110	190	270	350
VOLTAGE (V)	LOW VOLTAGE	12V AC/DC	12V DC	12V DC	12V DC	12V DC	12V DC	12V DC
		24V AC/DC	24V AC/DC	24V AC/DC	24V AC/DC	24V AC/DC	24V AC/DC	24V AC/DC
	MULTIVOLTAGE	100-240V AC	100-240V AC	100-240V AC	100-240V AC	100-240V AC	100-240V AC	100-240V AC
WORKING TIME (sec)		10	8	9	27	27	50	50
TORQUE LIMITER		STD	STD	STD	STD	STD	STD	STD
DUTY RATING		12VAC/24VAC 50% 12VDC/24VDC 75% 100-240VAC	75%	75%	75%	75%	75%	75%
PROTECTION		IP65	IP67	IP67	IP67	IP67	IP67	IP67
ROTATION		90°	90°	90°	90°	90°	90°	90°
UPON REQUEST		180°	180° or 270°	180° or 270°	180° or 270°	180° or 270°	180° or 270°	180° or 270°
MANUAL INTERVENTION		STD	STD	STD	STD	STD	STD	STD
POSITION INDICATOR		STD	STD	STD	STD	STD	STD	STD
WORKING TEMPERATURE		-20°C + 55°C	-20°C + 55°C	-20°C + 55°C	-20°C + 55°C	-20°C + 55°C	-20°C + 55°C	-20°C + 55°C
HEATER		STD	STD	STD	STD	STD	STD	STD
ADDITIONAL FREE LIMIT SWITCHES		n°2 STD	n°2 STD	n°2 STD	n°2 STD	n°2 STD	n°2 STD	n°2 STD
DRILLING ISO 5211		★F03 - F05	★F03 - F05	F05 - F07	F07 - F10	F07 - F10	F07 - F10	F07 - F10
SQUARE (mm)		11	11	14	17	17	22	22
SQUARE UPON REQUEST		9	9-14	11-17	14-22	14-22	17	17
SAFETY BLOCK		NOT AVAILABLE	UPON REQUEST	UPON REQUEST	UPON REQUEST	UPON REQUEST	UPON REQUEST	UPON REQUEST
POSITIONER STD (4-20mA or 0-10 VDC) REVERSE (20-4mA or 10-0 VDC)		NOT AVAILABLE	UPON REQUEST	UPON REQUEST	UPON REQUEST	UPON REQUEST	UPON REQUEST	UPON REQUEST
LINEAR POTENTIOMETER (5K Ω 1W)		NOT AVAILABLE	UPON REQUEST	UPON REQUEST	UPON REQUEST	UPON REQUEST	UPON REQUEST	UPON REQUEST
ELECTRICAL CONNECTIONS		PG11	PG11	PG11	PG11	PG11	PG11	PG11
WEIGHT (Kg)		1.40	2.30	3.30	4.90	4.90	6.00	6.00

GENERAL SPECIFICATIONS

The VALBIA electric actuators are suitable for the automation of ball and butterfly valves for the industrial and construction sector. The usage of electronic components of last generation, together with precise mechanic, fruit of careful research and development, enables high performance and long-term reliability of the product.

The range has been manufactured with following characteristics:

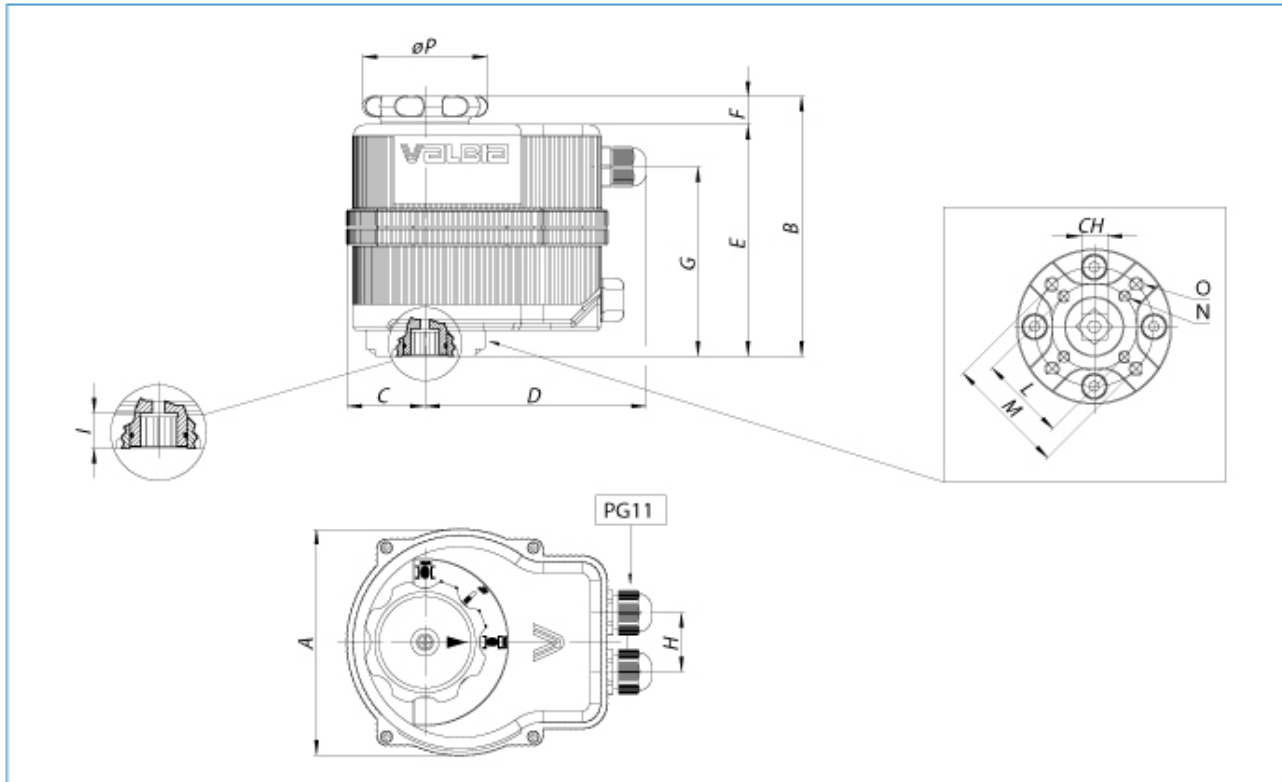
- The housing of the actuators provides a V0 self-extinguish Class techno-polymer material.
- The kinematics is made by two steel and techno-polymer gear wheels, sustained by hardened steel pinions, mounted on self-lubricating bushes (excluding mod. VB015), and inserted in a strong structure of die-cast aluminium.
- The connection part of the actuators with the valves, is made by a die-casted and painted aluminium plate cataphoresis, with a dual drilling interface as per the ISO5211 – DIN 3337 Standard.
- The electronic circuit adjusts automatically the motor speed depending on the mechanical charge variations in order to drive the cycle always in the same time.
- All actuators are provided with an electronic system for torque limiter.
- A heating resistance is activated, by powered actuator, once the temperature inside the housing drops below 25°C (except for VB015) and the motor is not running.
- Whole range of actuators (except for VB015 and for 12V power supply) are modulable: standard setting is 4-20 mA or 0-10 V. Reverse option 20-4 mA or 10-0 V is programmable (except for 12 V power supply).
- All electric actuators (except for VB015) can be equipped with linear potentiometer ratind 5KΩ.
- All electric actuators (except for VB015 and for 12V power supply), can be equipped with battery for emergency control.

MODEL		VB015	
MAX WORKING TORQUE (Nm)		15	
VOLTAGE (V)	LOW VOLTAGE	12V AC/DC	
		24V AC/DC	
	MULTIVOLTAGE	100-240V AC	
WORKING TIME (sec)		10	
TORQUE LIMITER		STD	
DUTY RATING	12VAC/24VAC	50%	
	12VDC/24VDC 100-240VAC	75%	
PROTECTION		IP65	
ROTATION		90°	
UPON REQUEST		180°	
MANUAL INTERVENTION		STD	
POSITION INDICATOR		STD	
WORKING TEMPERATURE		-20°C + 55°C	
HEATER		STD	
ADDITIONAL FREE LIMIT SWITCHES		n°2 STD	
DRILLING ISO 5211		*F03 - F05	
SQUARE (mm)		11	
SQUARE UPON REQUEST		9	
SAFETY BLOCK		NOT AVAILABLE	
POSITIONER STD (4-20mA or 0-10 VDC) REVERSE (20-4mA or 10-0 VDC)		NOT AVAILABLE	
LINEAR POTENTIOMETER (5K Ω 1W)		NOT AVAILABLE	
ELECTRICAL CONNECTIONS		PG11	
WEIGHT (Kg)		1.40	

* F04 or F07 upon request

ELECTRIC ACTUATOR CONSUME DATA

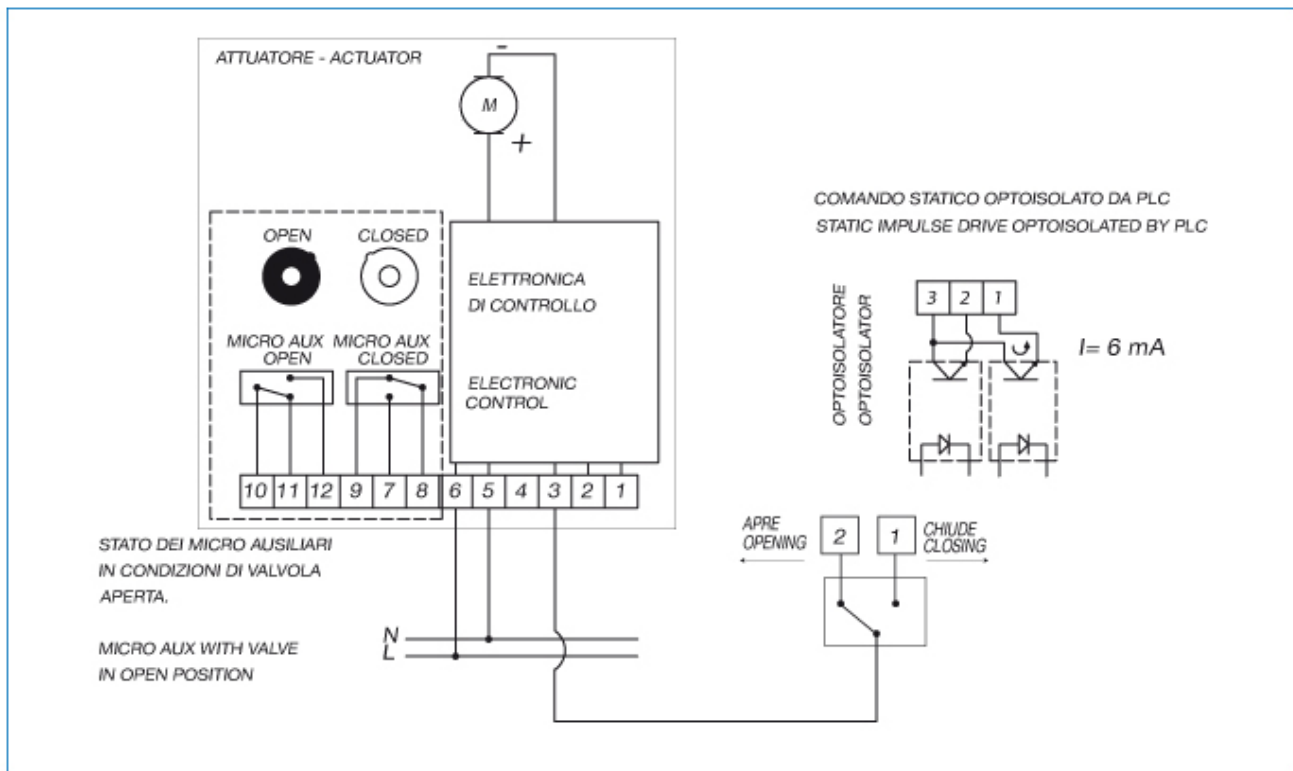
MODEL		VB015	
VERSION H	NOMINAL VOLTAGE	100-240V AC	
	ABSORBED CURRENT	0,3-0,19A	
	ABSORBED POWER	30-46VA	
VERSION L	NOMINAL VOLTAGE	12V AC/DC	24V AC/DC
	ABSORBED CURRENT	1,2A	0,6A
	ABSORBED POWER	15VA	
FREQUENCY		50/60 HZ	



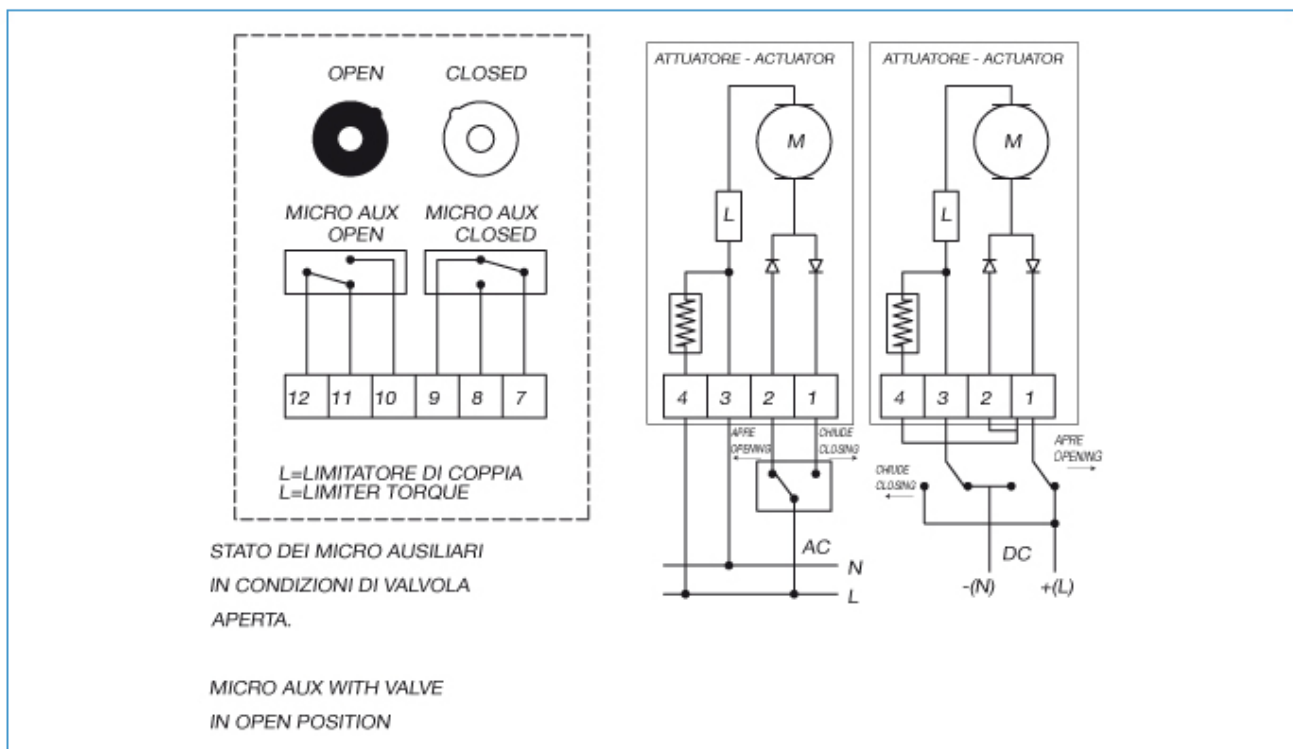
MOD.	FORATURA ISO 5211	CH	A	B	C	D	E	F	G	H	I	L	M	N	O	ØP
VB015	F03-F05*	11	123	141,5	42,5	120,5	126	15,5	103	32	14	36	50	M5X12	M6X14	68

* Upon request F04 or F07

ELECTRIC WIRING VB015 100-240V 50/60Hz



ELECTRIC WIRING VB015 12V-24V AC/DC



GENERAL SPECIFICATIONS

The VALBIA electric actuators are suitable for the automation of ball and butterfly valves for the industrial and construction sector. The usage of electronic components of last generation, together with precise mechanic, fruit of careful research and development, enables high performance and long-term reliability of the product.

The range has been manufactured with following characteristics:

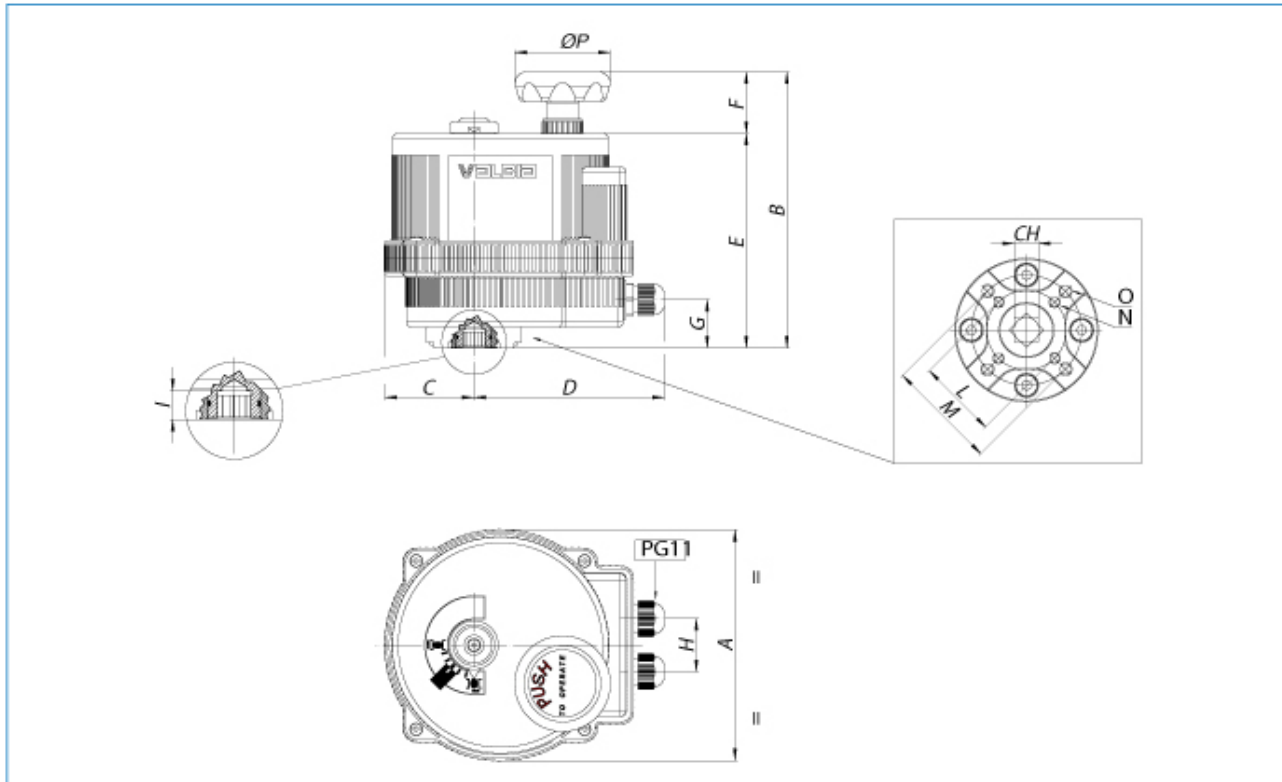
- The housing of the actuators provides a V0 self-extinguish Class techno-polymer material.
- The kinematics is made by two steel and techno-polymer gear wheels, sustained by hardened steel pinions, mounted on self-lubricating bushes (excluding mod. VB015), and inserted in a strong structure of die-cast aluminium.
- The connection part of the actuators with the valves, is made by a die-casted and painted aluminium plate cathaphoresis, with a dual drilling interface as per the ISO5211 – DIN 3337 Standard.
- The electronic circuit adjusts automatically the motor speed depending on the mechanical charge variations in order to drive the cycle always in the same time.
- All actuators are provided with an electronic system for torque limiter.
- A heating resistance is activated, by powered actuator, once the temperature inside the housing drops below 25°C (except for VB015) and the motor is not running.
- Whole range of actuators (except for VB015 and for 12V power supply) are modulable: standard setting is 4-20 mA or 0-10 V. Reverse option 20-4 mA or 10-0 V is programmable (except for 12 V power supply).
- All electric actuators (except for VB015) can be equipped with linear potentiometer rating 5K Ω .
- All electric actuators (except for VB015 and for 12V power supply), can be equipped with battery for emergency control.

MODEL		VB030	
MAX WORKING TORQUE (Nm)		30	
VOLTAGE (V)	LOW VOLTAGE	12V DC	
		24V AC/DC	
	MULTIVOLTAGE	100-240V AC	
WORKING TIME (sec)		8	
TORQUE LIMITER		STD	
DUTY RATING		50%	12V AC/DC
		75%	24V AC/DC - 100-240 V AC
PROTECTION		IP67	
ROTATION		90°	
UPON REQUEST		180° OR 270°	
MANUAL INTERVENTION		STD	
POSITION INDICATOR		STD	
WORKING TEMPERATURE		-20°C + 55°C	
HEATER		STD	
ADDITIONAL FREE LIMIT SWITCHES		n°2 STD	
DRILLING ISO 5211		*F03 - F05	
SQUARE (mm)		11	
SQUARE UPON REQUEST		9-14	
SAFETY BLOCK		UPON REQUEST NOT AVAILABLE FOR MOD 12V	
POSITIONER STD (4-20mA or 0-10 VDC) REVERSE (20-4mA or 10-0 VDC)		UPON REQUEST	
LINEAR POTENTIOMETER (5K Ω 1W)		UPON REQUEST	
ELECTRICAL CONNECTIONS		PG11	
WEIGHT (Kg)		2.30	

* A richiesta F04 o F07

ELECTRIC ACTUATOR CONSUME DATA

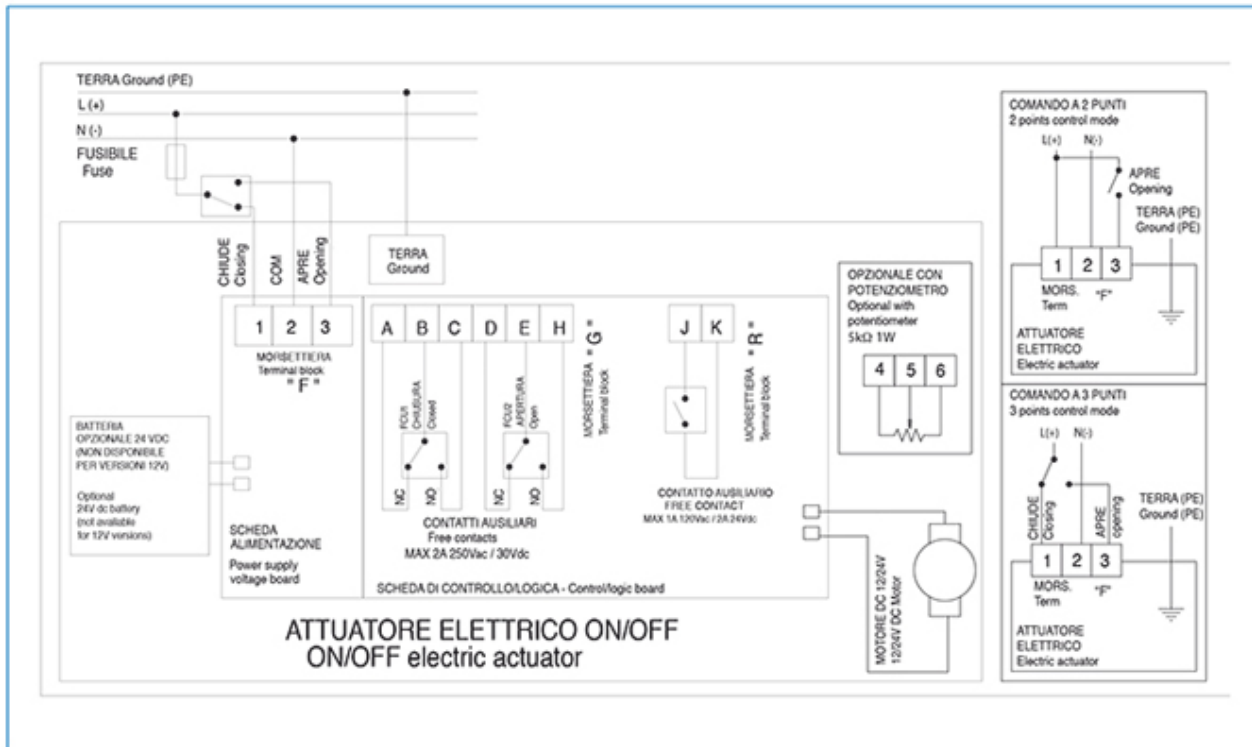
MODEL		VB030	
VERSION H	NOMINAL VOLTAGE	100-240V AC	
	ABSORBED CURRENT	0,3-0,2A	
	ABSORBED POWER	30-48VA	
VERSION L	NOMINAL VOLTAGE	12V DC	24V AC/DC
	ABSORBED CURRENT	2,0A	1,0A
	ABSORBED POWER	24VA	
FREQUENCY		50/60 HZ	



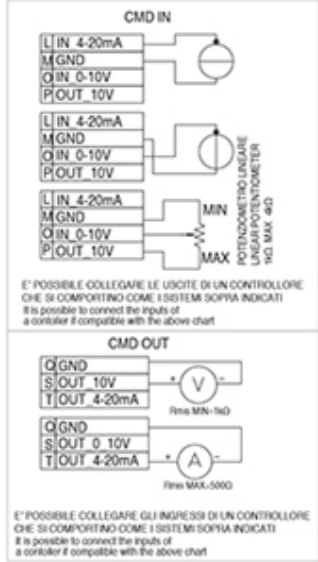
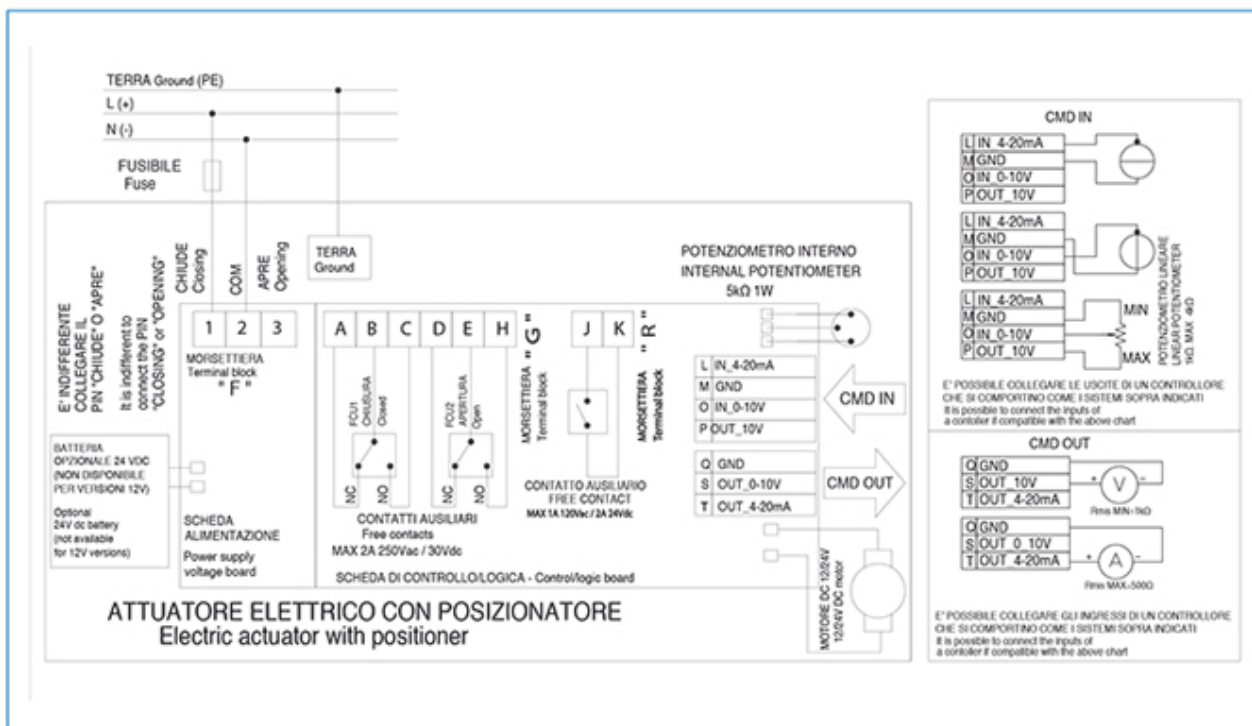
MOD.	FORATURA ISO 5211	CH	A	B	C	D	E	F	G	H	I	L	M	N	O	ØP
VB030	F03-F05*	11	157	188	60,5	129,5	146	42	33	36	12	36	50	M5X12	M6X14	65

* Upon request F04 or F07

**SCHEMA ELETTRICO DAL VB030 AL VB350 12V AC/DC 50/60 Hz, 24V AC/DC 50/60 Hz, 100-240V AC 50/60 Hz
ELECTRIC WIRING FROM VB030 TO VB350 12V AC/DC 50/60 Hz, 24V AC/DC 50/60 Hz, 100-240V AC 50/60 Hz**



**SCHEMA ELETTRICO CON POSIZIONATORE DAL VB030 AL VB350 12V AC/DC 50/60 Hz, 24V AC/DC 50/60 Hz, 100-240V AC 50/60 Hz
ELECTRIC WIRING WITH POSITIONER FROM VB030 TO VB350 12V AC/DC 50/60 Hz, 24V AC/DC 50/60 Hz, 100-240V AC 50/60 Hz**



GENERAL SPECIFICATIONS

The VALBIA electric actuators are suitable for the automation of ball and butterfly valves for the industrial and construction sector. The usage of electronic components of last generation, together with precise mechanic, fruit of careful research and development, enables high performance and long-term reliability of the product.

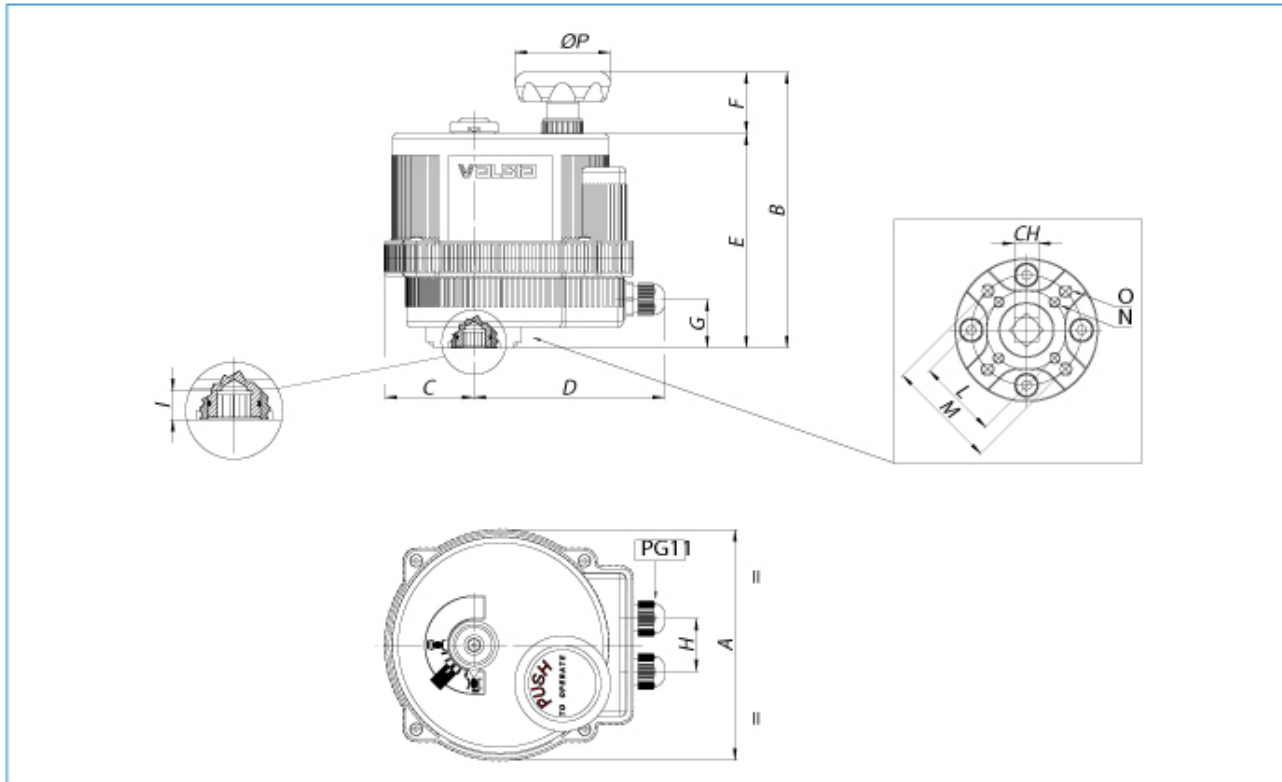
The range has been manufactured with following characteristics:

- The housing of the actuators provides a V0 self-extinguish Class techno-polymer material.
- The kinematics is made by two steel and techno-polymer gear wheels, sustained by hardened steel pinions, mounted on self-lubricating bushes (excluding mod. VB015), and inserted in a strong structure of die-cast aluminium.
- The connection part of the actuators with the valves, is made by a die-casted and painted aluminium plate cataphoresis, with a dual drilling interface as per the ISO5211 – DIN 3337 Standard.
- The electronic circuit adjusts automatically the motor speed depending on the mechanical charge variations in order to drive the cycle always in the same time.
- All actuators are provided with an electronic system for torque limiter.
- A heating resistance is activated, by powered actuator, once the temperature inside the housing drops below 25°C (except for VB015) and the motor is not running.
- Whole range of actuators (except for VB015 and for 12V power supply) are modulable: standard setting is 4-20 mA or 0-10 V. Reverse option 20-4 mA or 10-0 V is programmable (except for 12 V power supply).
- All electric actuators (except for VB015) can be equipped with linear potentiometer rated 5K Ω .
- All electric actuators (except for VB015 and for 12V power supply), can be equipped with battery for emergency control.

MODEL		VB060
MAX WORKING TORQUE (Nm)		60
VOLTAGE (V)	LOW VOLTAGE	12V DC
		24V AC/DC
	MULTIVOLTAGE	100-240V AC
WORKING TIME (sec)		9
TORQUE LIMITER		STD
DUTY RATING		75%
PROTECTION		IP67
ROTATION		90°
UPON REQUEST		180° or 270°
MANUAL INTERVENTION		STD
POSITION INDICATOR		STD
WORKING TEMPERATURE		-20°C + 55°C
HEATER		STD
ADDITIONAL FREE LIMIT SWITCHES		n°2 STD
DRILLING ISO 5211		F05 - F07
SQUARE (mm)		14
SQUARE UPON REQUEST		11-17
SAFETY BLOCK		UPON REQUEST - NOT AVAILABLE FOR MOD 12V
POSITIONER STD (4-20mA or 0-10 VDC) REVERSE (20-4mA or 10-0 VDC)		UPON REQUEST
LINEAR POTENTIOMETER (5K Ω 1W)		UPON REQUEST
ELECTRICAL CONNECTIONS		PG11
WEIGHT (Kg)		3.30

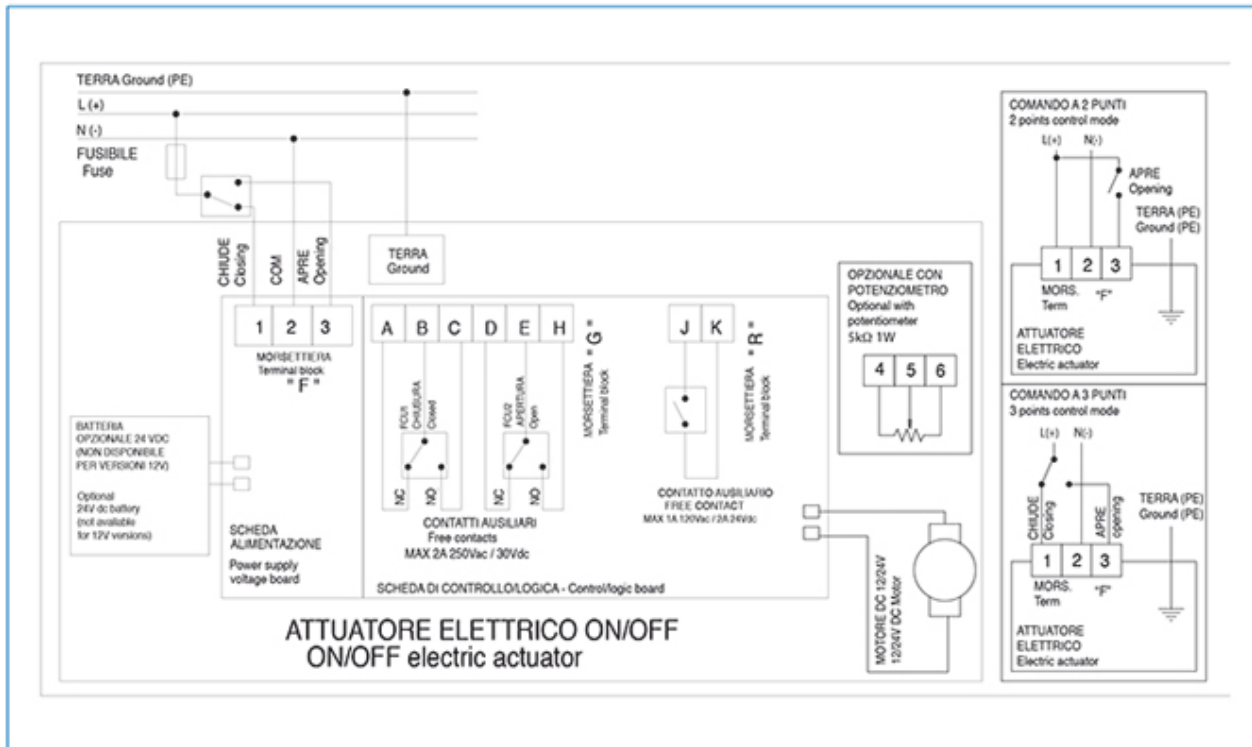
ELECTRIC ACTUATOR CONSUME DATA

MODEL		VB060	
VERSION H	NOMINAL VOLTAGE	100-240V AC	
	ABSORBED CURRENT	0,6-0,3A	
	ABSORBED POWER	60-72 VA	
VERSION L	NOMINAL VOLTAGE	12V DC	24V AC/DC
	ABSORBED CURRENT	3,6A	1,8A
	ABSORBED POWER	44VA	
FREQUENCY		50/60 HZ	

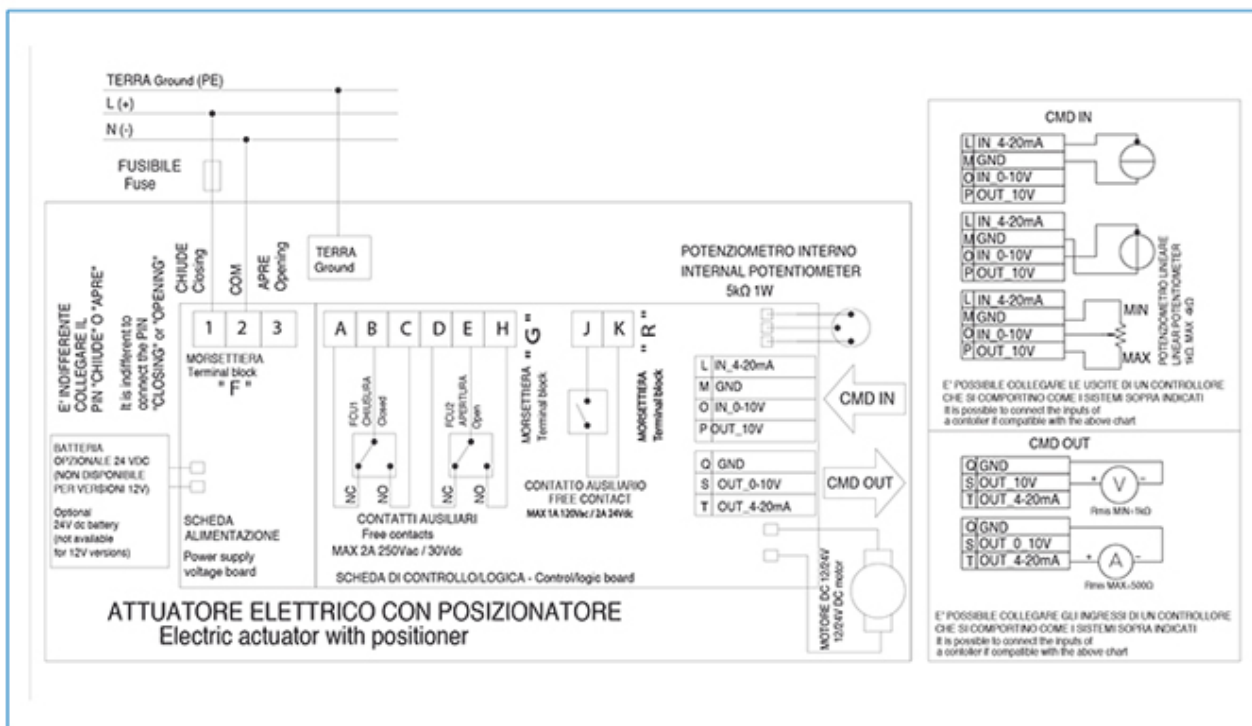


MOD.	FORATURA ISO 5211	CH	A	B	C	D	E	F	G	H	I	L	M	N	O	ØP
VB060	F05-F07	14	185	215	67,5	146,5	173	42	51	36	16	50	70	M6X15	M8X17	65

**SCHEMA ELETTRICO DAL VB030 AL VB350 12V AC/DC 50/60 Hz, 24V AC/DC 50/60 Hz, 100-240V AC 50/60 Hz
ELECTRIC WIRING FROM VB030 TO VB350 12V AC/DC 50/60 Hz, 24V AC/DC 50/60 Hz, 100-240V AC 50/60 Hz**



**SCHEMA ELETTRICO CON POSIZIONATORE DAL VB030 AL VB350 12V AC/DC 50/60 Hz, 24V AC/DC 50/60 Hz, 100-240V AC 50/60 Hz
ELECTRIC WIRING WITH POSITIONER FROM VB030 TO VB350 12V AC/DC 50/60 Hz, 24V AC/DC 50/60 Hz, 100-240V AC 50/60 Hz**



GENERAL SPECIFICATIONS

The VALBIA electric actuators are suitable for the automation of ball and butterfly valves for the industrial and construction sector. The usage of electronic components of last generation, together with precise mechanic, fruit of careful research and development, enables high performance and long-term reliability of the product.

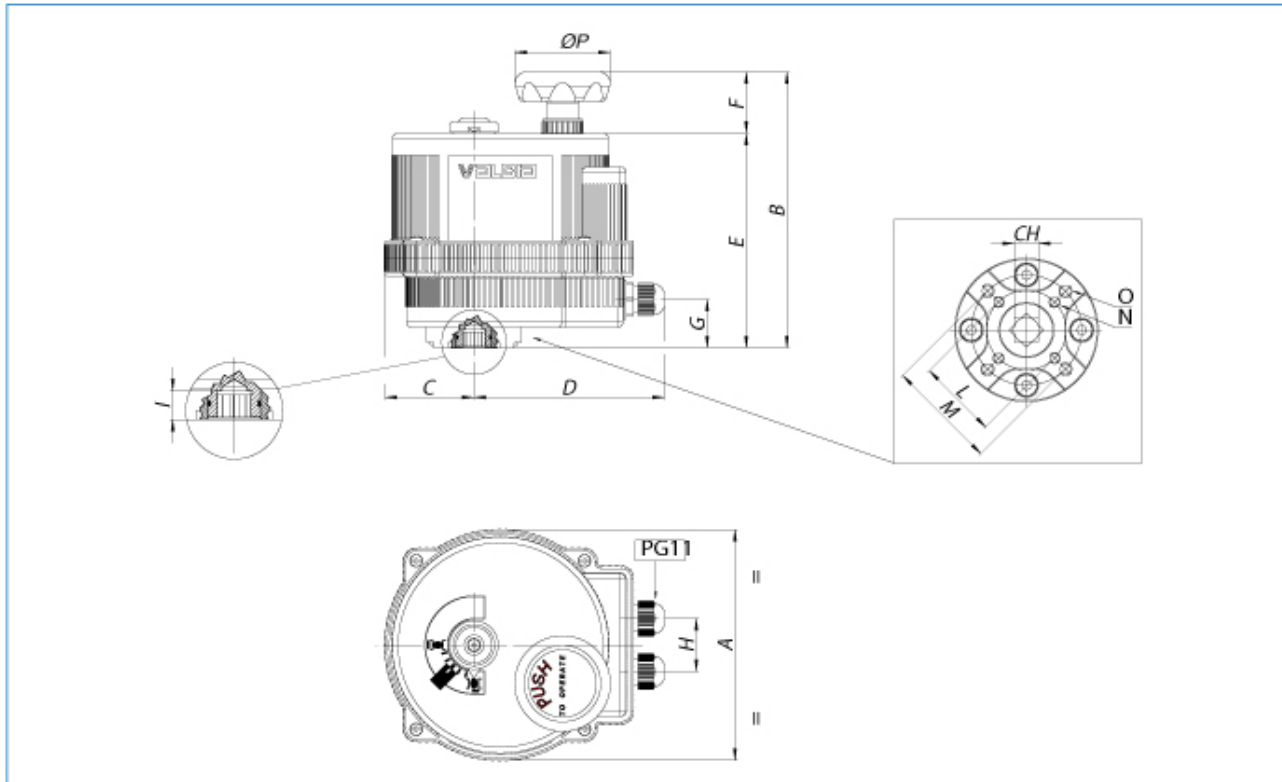
The range has been manufactured with following characteristics:

- The housing of the actuators provides a V0 self-extinguish Class techno-polymer material.
- The kinematics is made by two steel and techno-polymer gear wheels, sustained by hardened steel pinions, mounted on self-lubricating bushes (excluding mod. VB015), and inserted in a strong structure of die-cast aluminium.
- The connection part of the actuators with the valves, is made by a die-casted and painted aluminium plate cataphoresis, with a dual drilling interface as per the ISO5211 – DIN 3337 Standard.
- The electronic circuit adjusts automatically the motor speed depending on the mechanical charge variations in order to drive the cycle always in the same time.
- All actuators are provided with an electronic system for torque limiter.
- A heating resistance is activated, by powered actuator, once the temperature inside the housing drops below 25°C (except for VB015) and the motor is not running.
- Whole range of actuators (except for VB015 and for 12V power supply) are modulable: standard setting is 4-20 mA or 0-10 V. Reverse option 20-4 mA or 10-0 V is programmable (except for 12 V power supply).
- All electric actuators (except for VB015) can be equipped with linear potentiometer ratind 5K Ω .
- All electric actuators (except for VB015 and for 12V power supply), can be equipped with battery for emergency control.

MODEL		VB110
MAX WORKING TORQUE (Nm)		110
VOLTAGE (V)	LOW VOLTAGE	12V DC
		24V AC/DC
	MULTIVOLTAGE	100-240V AC
WORKING TIME (sec)		27
TORQUE LIMITER		STD
DUTY RATING		75%
PROTECTION		IP67
ROTATION		90°
UPON REQUEST		180° or 270°
MANUAL INTERVENTION		STD
POSITION INDICATOR		STD
WORKING TEMPERATURE		-20°C + 55°C
HEATER		n°2 STD
ADDITIONAL FREE LIMIT SWITCHES		F07 - F10
DRILLING ISO 5211		17
SQUARE (mm)		14-22
SQUARE UPON REQUEST		UPON REQUEST
SAFETY BLOCK		NOT AVAILABLE FOR MOD 12V
POSITIONER STD (4-20mA or 0-10 VDC) REVERSE (20-4mA or 10-0 VDC)		UPON REQUEST
LINEAR POTENTIOMETER (5K Ω 1W)		NOT AVAILABLE FOR MOD 12V
ELECTRICAL CONNECTIONS		UPON REQUEST
WEIGHT (Kg)		PG11
PESO (Kg)		4.90

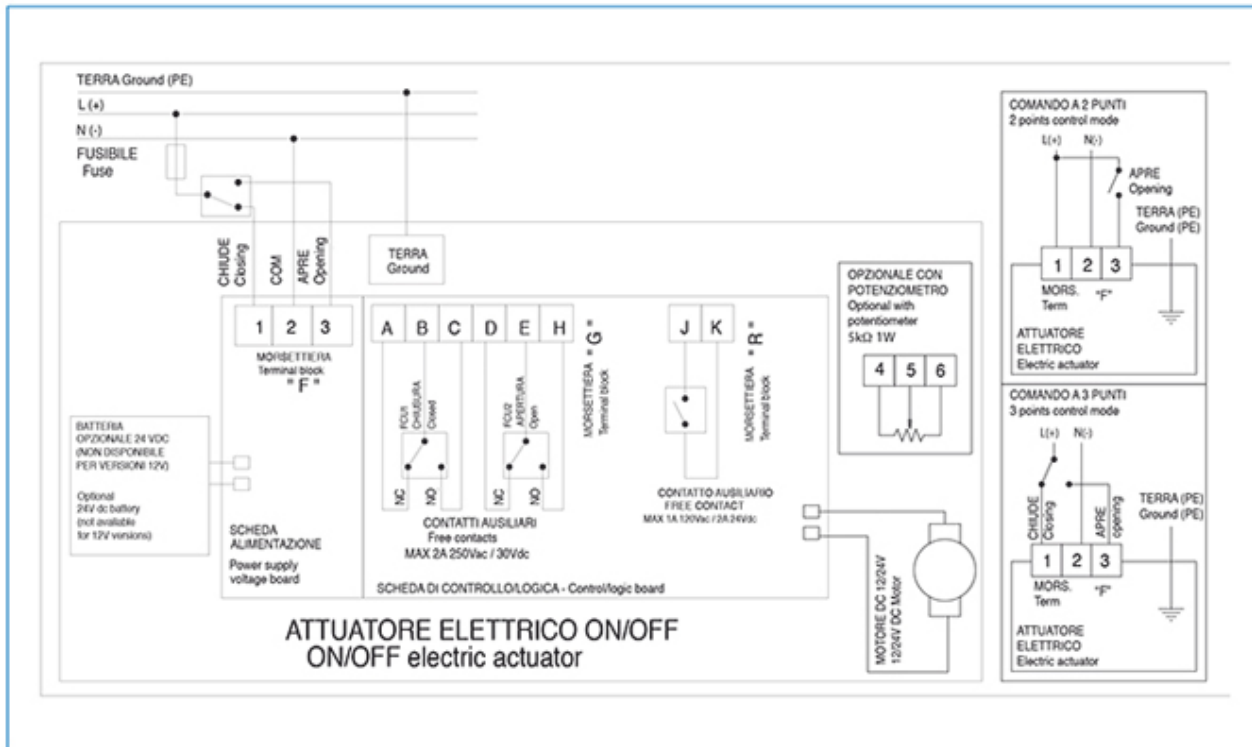
ELECTRIC ACTUATOR CONSUME DATA

MODEL		VB110	
VERSION H	NOMINAL VOLTAGE	100-240V AC	
	ABSORBED CURRENT	0,6-0,3A	
	ABSORBED POWER	60-72 VA	
VERSION L	NOMINAL VOLTAGE	12V DC	24V AC/DC
	ABSORBED CURRENT	2,0A	1,0A
	ABSORBED POWER	24VA	
FREQUENCY		50/60 HZ	

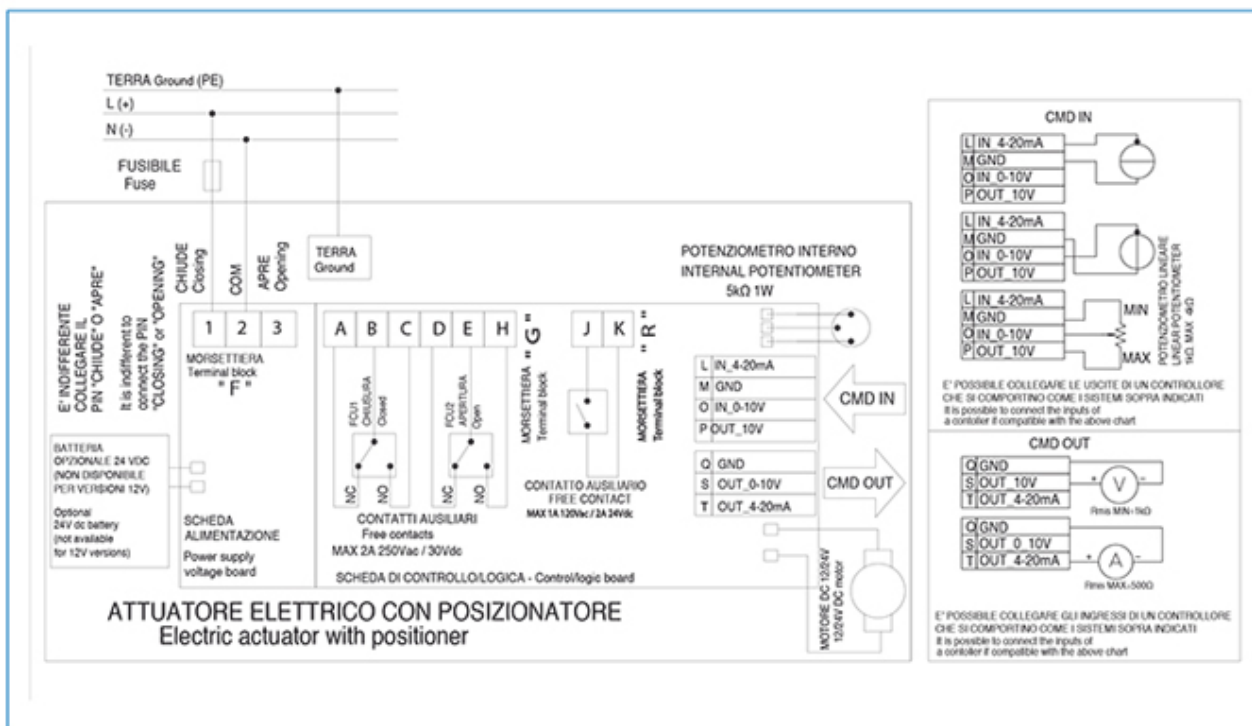


MOD.	FORATURA ISO 5211	CH	A	B	C	D	E	F	G	H	I	L	M	N	O	ØP
VB060	F05-F07	14	185	215	67,5	146,5	173	42	51	36	16	50	70	M6X15	M8X17	65

**SCHEMA ELETTRICO DAL VB030 AL VB350 12V AC/DC 50/60 Hz, 24V AC/DC 50/60 Hz, 100-240V AC 50/60 Hz
ELECTRIC WIRING FROM VB030 TO VB350 12V AC/DC 50/60 Hz, 24V AC/DC 50/60 Hz, 100-240V AC 50/60 Hz**



**SCHEMA ELETTRICO CON POSIZIONATORE DAL VB030 AL VB350 12V AC/DC 50/60 Hz, 24V AC/DC 50/60 Hz, 100-240V AC 50/60 Hz
ELECTRIC WIRING WITH POSITIONER FROM VB030 TO VB350 12V AC/DC 50/60 Hz, 24V AC/DC 50/60 Hz, 100-240V AC 50/60 Hz**



GENERAL SPECIFICATIONS

The VALBIA electric actuators are suitable for the automation of ball and butterfly valves for the industrial and construction sector. The usage of electronic components of last generation, together with precise mechanic, fruit of careful research and development, enables high performance and long-term reliability of the product.

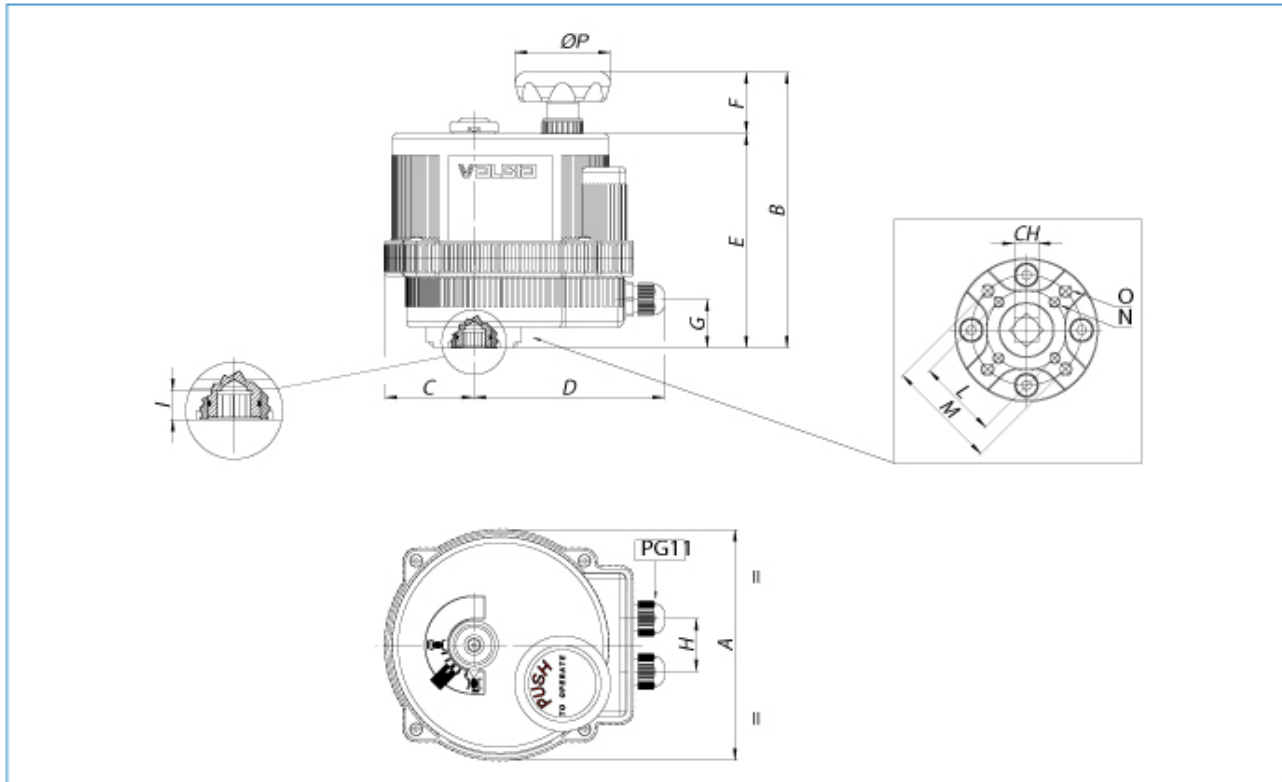
The range has been manufactured with following characteristics:

- The housing of the actuators provides a V0 self-extinguish Class techno-polymer material.
- The kinematics is made by two steel and techno-polymer gear wheels, sustained by hardened steel pinions, mounted on self-lubricating bushes (excluding mod. VB015), and inserted in a strong structure of die-cast aluminium.
- The connection part of the actuators with the valves, is made by a die-casted and painted aluminium plate cataphoresis, with a dual drilling interface as per the ISO5211 – DIN 3337 Standard.
- The electronic circuit adjusts automatically the motor speed depending on the mechanical charge variations in order to drive the cycle always in the same time.
- All actuators are provided with an electronic system for torque limiter.
- A heating resistance is activated, by powered actuator, once the temperature inside the housing drops below 25°C (except for VB015) and the motor is not running.
- Whole range of actuators (except for VB015 and for 12V power supply) are modulable: standard setting is 4-20 mA or 0-10 V. Reverse option 20-4 mA or 10-0 V is programmable (except for 12 V power supply).
- All electric actuators (except for VB015) can be equipped with linear potentiometer ratind 5KΩ.
- All electric actuators (except for VB015 and for 12V power supply), can be equipped with battery for emergency control.

MODEL		VB190
MAX WORKING TORQUE (Nm)		190
VOLTAGE (V)	LOW VOLTAGE	12V DC
		24V AC/DC
	MULTIVOLTAGE	100-240V AC
WORKING TIME (sec)		27
TORQUE LIMITER		STD
DUTY RATING		75%
		IP67
PROTECTION		90°
ROTATION		180° or 270°
UPON REQUEST		STD
MANUAL INTERVENTION		STD
POSITION INDICATOR		-20°C + 55°C
WORKING TEMPERATURE		STD
HEATER		n°2 STD
ADDITIONAL FREE LIMIT SWITCHES		F07 - F10
DRILLING ISO 5211		17
SQUARE (mm)		14-22
SQUARE UPON REQUEST		UPON REQUEST
SAFETY BLOCK		NOT AVAILABLE FOR MOD 12V
POSITIONER STD (4-20mA or 0-10 VDC) REVERSE (20-4mA or 10-0 VDC)		UPON REQUEST
LINEAR POTENTIOMETER (5K Ω 1W)		NOT AVAILABLE FOR MOD 12V
ELECTRICAL CONNECTIONS		UPON REQUEST
WEIGHT (Kg)		PG11
PESO (Kg)		4.90

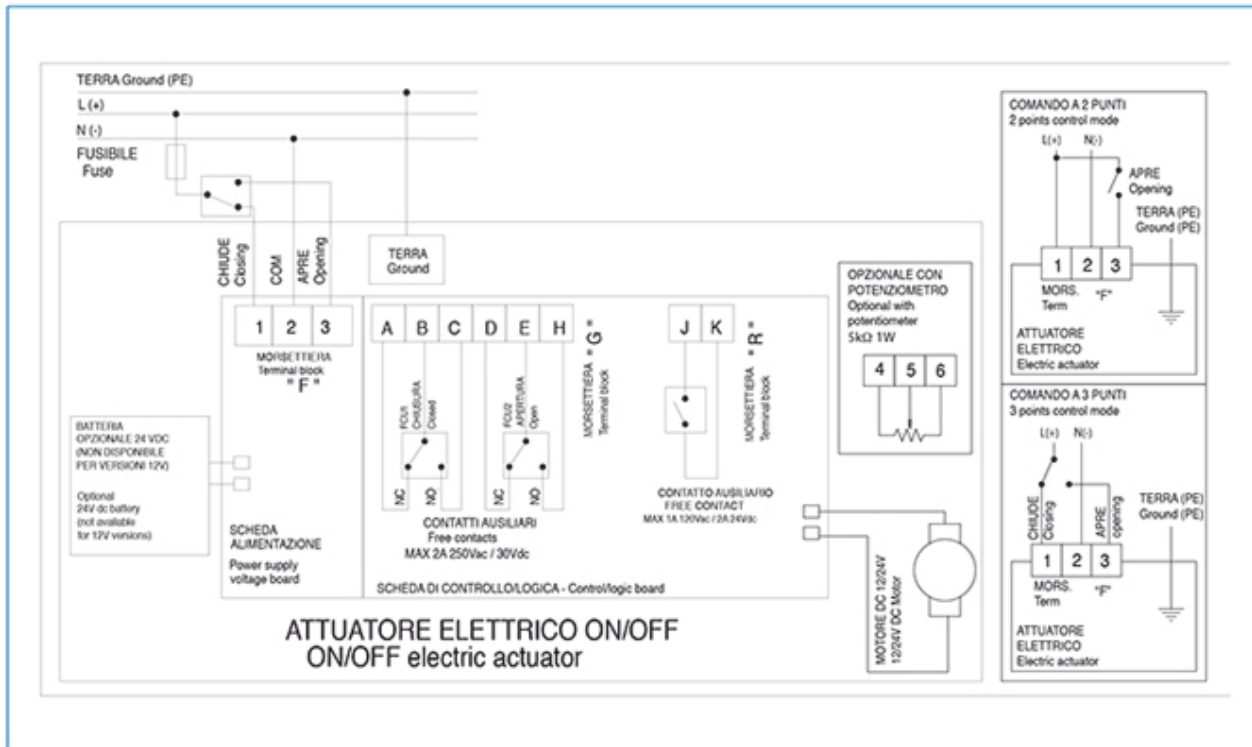
ELECTRIC ACTUATOR CONSUME DATA

MODEL		VB190	
VERSION H	NOMINAL VOLTAGE	100-240V AC	
	ABSORBED CURRENT	0,6-0,3A	
	ABSORBED POWER	60-72 VA	
VERSION L	NOMINAL VOLTAGE	12V DC	24V AC/DC
	ABSORBED CURRENT	3,6A	1,8A
	ABSORBED POWER	44VA	
FREQUENCY		50/60 HZ	

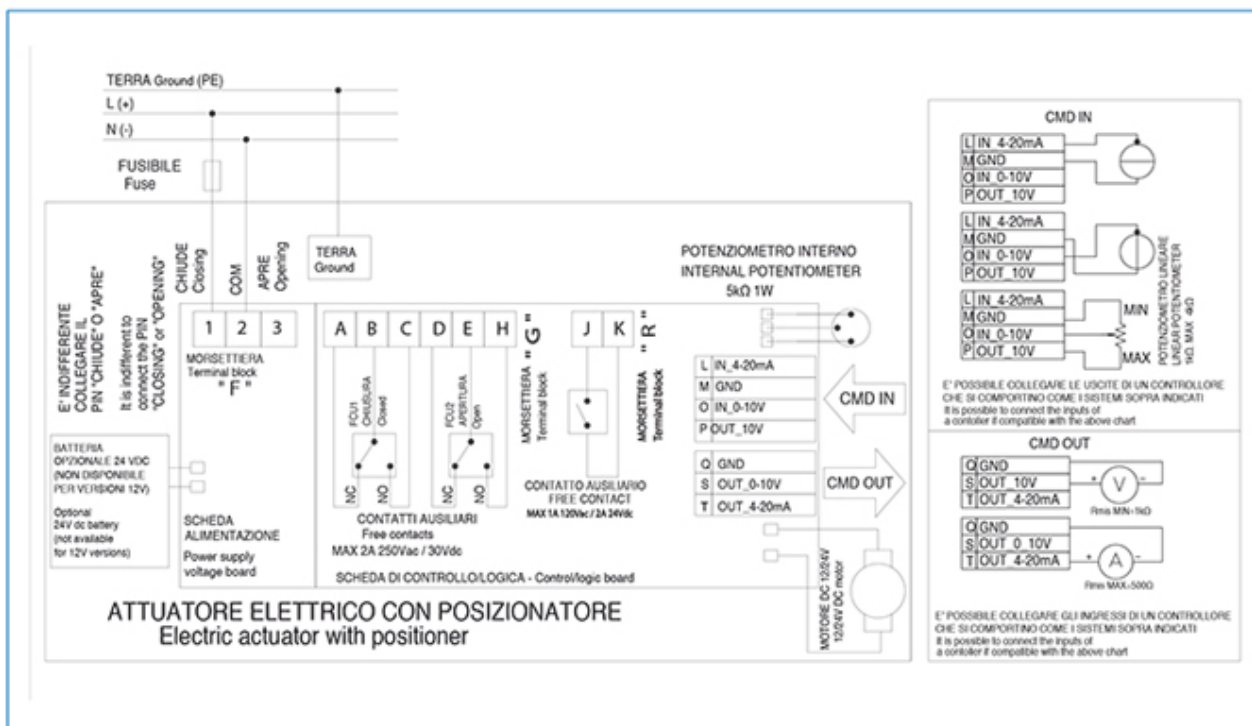


MOD.	FORATURA ISO 5211	CH	A	B	C	D	E	F	G	H	I	L	M	N	O	ØP
VB190	F07-F10	17	211	232,1	84	153	178	54,1	54	40	19	70	102	M8x20	M10x20	110

**SCHEMA ELETTRICO DAL VB030 AL VB350 12V AC/DC 50/60 Hz, 24V AC/DC 50/60 Hz, 100-240V AC 50/60 Hz
ELECTRIC WIRING FROM VB030 TO VB350 12V AC/DC 50/60 Hz, 24V AC/DC 50/60 Hz, 100-240V AC 50/60 Hz**



**SCHEMA ELETTRICO CON POSIZIONATORE DAL VB030 AL VB350 12V AC/DC 50/60 Hz, 24V AC/DC 50/60 Hz, 100-240V AC 50/60 Hz
ELECTRIC WIRING WITH POSITIONER FROM VB030 TO VB350 12V AC/DC 50/60 Hz, 24V AC/DC 50/60 Hz, 100-240V AC 50/60 Hz**



GENERAL SPECIFICATIONS

The VALBIA electric actuators are suitable for the automation of ball and butterfly valves for the industrial and construction sector. The usage of electronic components of last generation, together with precise mechanic, fruit of careful research and development, enables high performance and long-term reliability of the product.

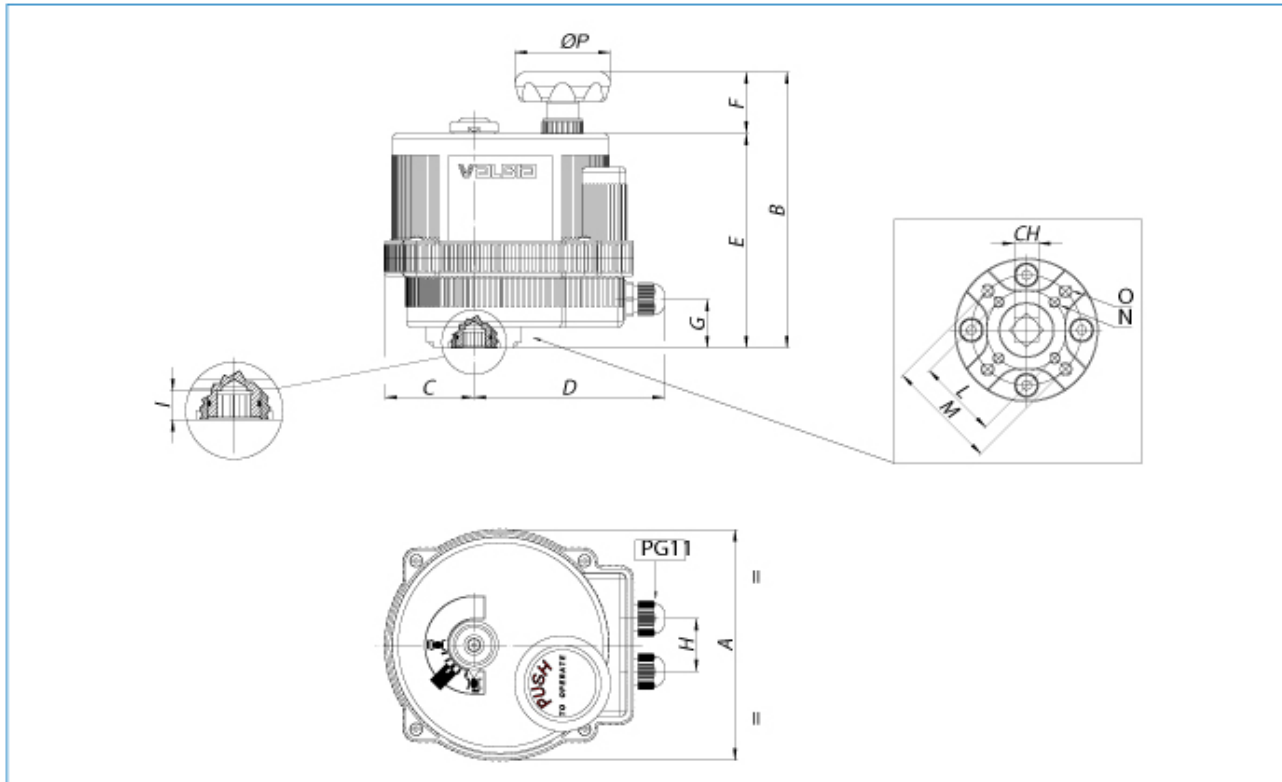
The range has been manufactured with following characteristics:

- The housing of the actuators provides a V0 self-extinguish Class techno-polymer material.
- The kinematics is made by two steel and techno-polymer gear wheels, sustained by hardened steel pinions, mounted on self-lubricating bushes (excluding mod. VB015), and inserted in a strong structure of die-cast aluminium.
- The connection part of the actuators with the valves, is made by a die-casted and painted aluminium plate cataphoresis, with a dual drilling interface as per the ISO5211 – DIN 3337 Standard.
- The electronic circuit adjusts automatically the motor speed depending on the mechanical charge variations in order to drive the cycle always in the same time.
- All actuators are provided with an electronic system for torque limiter.
- A heating resistance is activated, by powered actuator, once the temperature inside the housing drops below 25°C (except for VB015) and the motor is not running.
- Whole range of actuators (except for VB015 and for 12V power supply) are modulable: standard setting is 4-20 mA or 0-10 V. Reverse option 20-4 mA or 10-0 V is programmable (except for 12 V power supply).
- All electric actuators (except for VB015) can be equipped with linear potentiometer ratind 5KΩ.
- All electric actuators (except for VB015 and for 12V power supply), can be equipped with battery for emergency control.

MODEL		VB270
MAX WORKING TORQUE (Nm)		270
VOLTAGE (V)	LOW VOLTAGE	12V DC
		24V AC/DC
	MULTIVOLTAGE	100-240V AC
WORKING TIME (sec)		50
TORQUE LIMITER		STD
DUTY RATING		75%
		IP67
PROTECTION		90°
ROTATION		180° or 270°
UPON REQUEST		STD
MANUAL INTERVENTION		STD
POSITION INDICATOR		-20°C + 55°C
WORKING TEMPERATURE		STD
HEATER		n°2 STD
ADDITIONAL FREE LIMIT SWITCHES		F07 - F10
DRILLING ISO 5211		22
SQUARE (mm)		17
SQUARE UPON REQUEST		UPON REQUEST
SAFETY BLOCK		NOT AVAILABLE FOR MOD 12V
POSITIONER STD (4-20mA or 0-10 VDC) REVERSE (20-4mA or 10-0 VDC)		UPON REQUEST
LINEAR POTENTIOMETER (5K Ω 1W)		NOT AVAILABLE FOR MOD 12V
ELECTRICAL CONNECTIONS		UPON REQUEST
WEIGHT (Kg)		PG11
PESO (Kg)		6.00

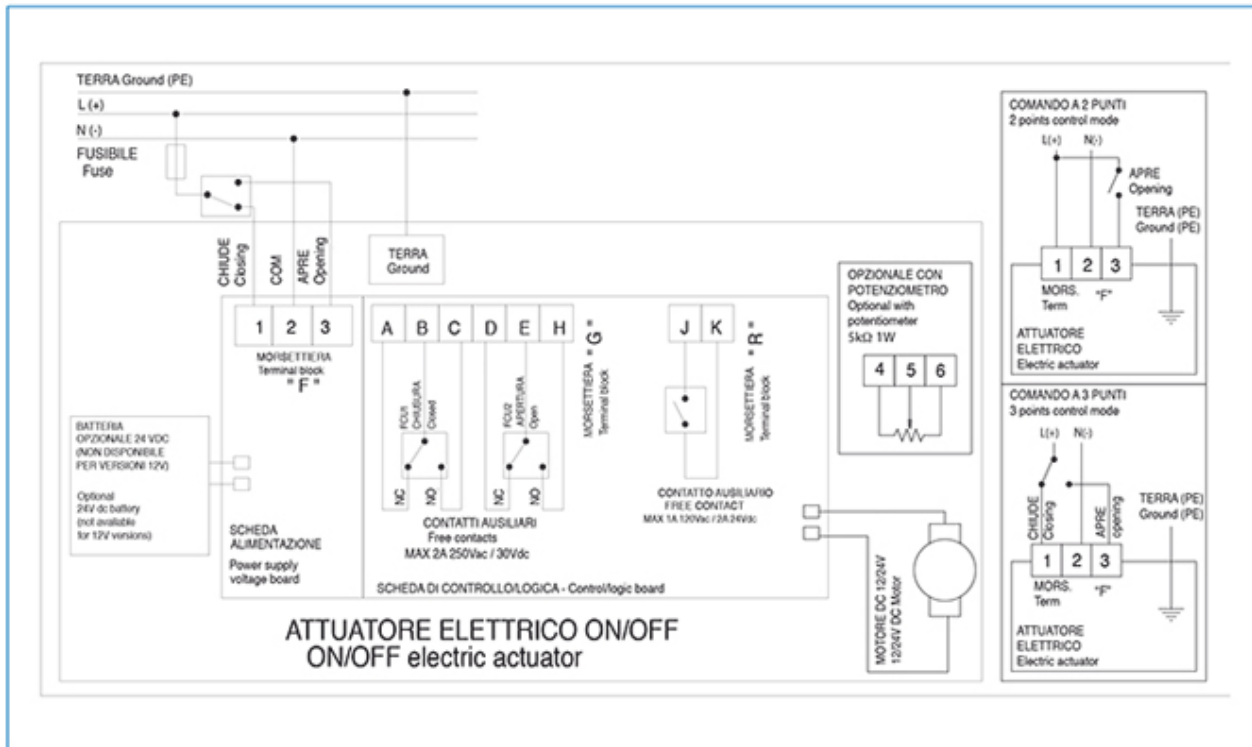
ELECTRIC ACTUATOR CONSUME DATA

MODEL		VB270	
VERSION H	NOMINAL VOLTAGE	100-240V AC	
	ABSORBED CURRENT	0,6-0,3A	
	ABSORBED POWER	60-72 VA	
VERSION L	NOMINAL VOLTAGE	12V DC	24V AC/DC
	ABSORBED CURRENT	3,6A	1,8A
	ABSORBED POWER	44VA	
FREQUENCY		50/60 HZ	

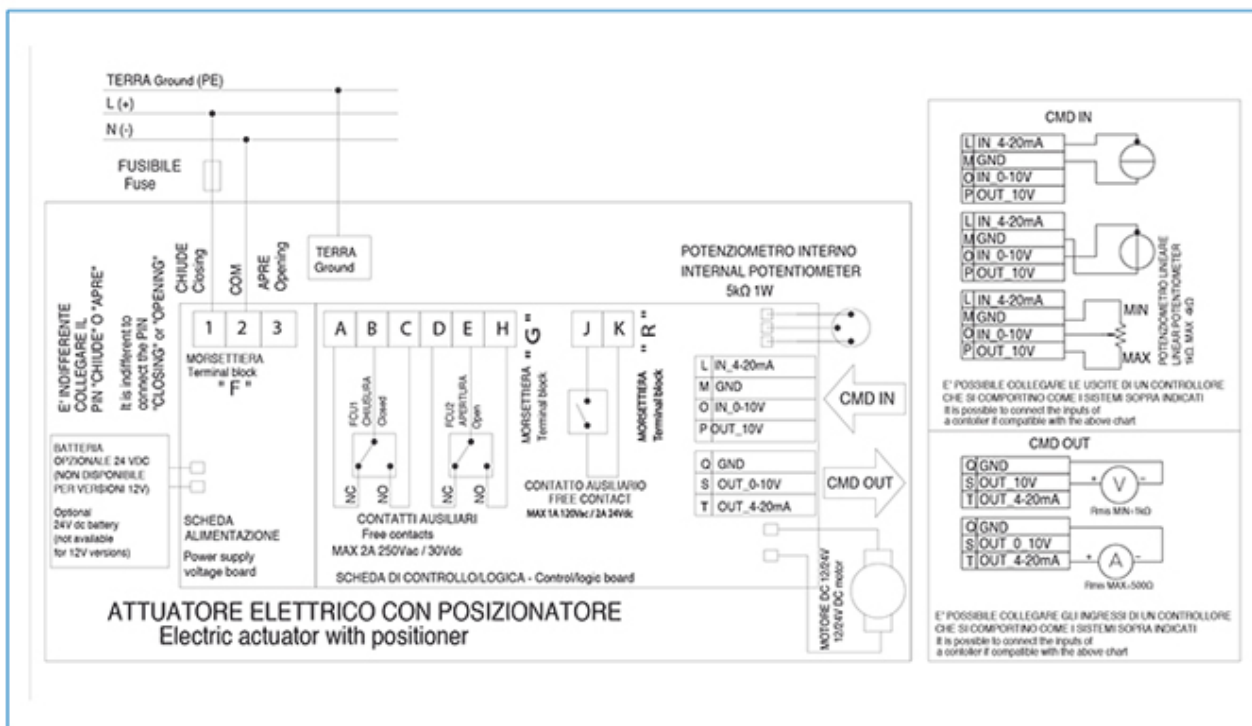


MOD.	FORATURA ISO 5211	CH	A	B	C	D	E	F	G	H	I	L	M	N	O	ØP
VB270	F07-F10	22	222	233,5	77	170	182	51,5	54	40	24	70	102	M8x20	M10x20	110

**SCHEMA ELETTRICO DAL VB030 AL VB350 12V AC/DC 50/60 Hz, 24V AC/DC 50/60 Hz, 100-240V AC 50/60 Hz
ELECTRIC WIRING FROM VB030 TO VB350 12V AC/DC 50/60 Hz, 24V AC/DC 50/60 Hz, 100-240V AC 50/60 Hz**



**SCHEMA ELETTRICO CON POSIZIONATORE DAL VB030 AL VB350 12V AC/DC 50/60 Hz, 24V AC/DC 50/60 Hz, 100-240V AC 50/60 Hz
ELECTRIC WIRING WITH POSITIONER FROM VB030 TO VB350 12V AC/DC 50/60 Hz, 24V AC/DC 50/60 Hz, 100-240V AC 50/60 Hz**



GENERAL SPECIFICATIONS

The VALBIA electric actuators are suitable for the automation of ball and butterfly valves for the industrial and construction sector. The usage of electronic components of last generation, together with precise mechanic, fruit of careful research and development, enables high performance and long-term reliability of the product.

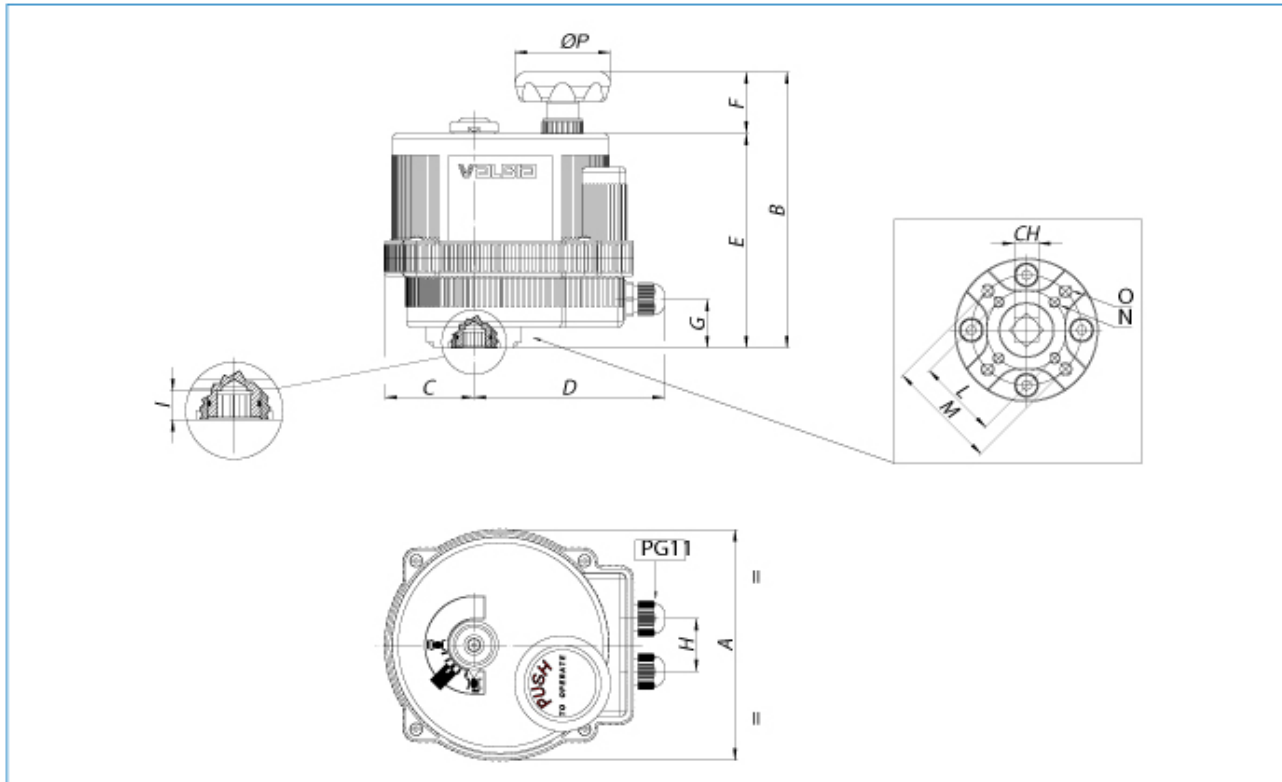
The range has been manufactured with following characteristics:

- The housing of the actuators provides a V0 self-extinguish Class techno-polymer material.
- The kinematics is made by two steel and techno-polymer gear wheels, sustained by hardened steel pinions, mounted on self-lubricating bushes (excluding mod. VB015), and inserted in a strong structure of die-cast aluminium.
- The connection part of the actuators with the valves, is made by a die-casted and painted aluminium plate cataphoresis, with a dual drilling interface as per the ISO5211 – DIN 3337 Standard.
- The electronic circuit adjusts automatically the motor speed depending on the mechanical charge variations in order to drive the cycle always in the same time.
- All actuators are provided with an electronic system for torque limiter.
- A heating resistance is activated, by powered actuator, once the temperature inside the housing drops below 25°C (except for VB015) and the motor is not running.
- Whole range of actuators (except for VB015 and for 12V power supply) are modulable: standard setting is 4-20 mA or 0-10 V. Reverse option 20-4 mA or 10-0 V is programmable (except for 12 V power supply).
- All electric actuators (except for VB015) can be equipped with linear potentiometer ratind 5KΩ.
- All electric actuators (except for VB015 and for 12V power supply), can be equipped with battery for emergency control.

MODEL		VB350
MAX WORKING TORQUE (Nm)		350
VOLTAGE (V)	LOW VOLTAGE	12V DC
		24V AC/DC
	MULTIVOLTAGE	100-240V AC
WORKING TIME (sec)		50
TORQUE LIMITER		STD
DUTY RATING		75%
PROTECTION		IP67
ROTATION		90°
UPON REQUEST		180° or 270°
MANUAL INTERVENTION		STD
POSITION INDICATOR		STD
WORKING TEMPERATURE		-20°C + 55°C
HEATER		STD
ADDITIONAL FREE LIMIT SWITCHES		n°2 STD
DRILLING ISO 5211		F07 - F10
SQUARE (mm)		22
SQUARE UPON REQUEST		17
SAFETY BLOCK		UPON REQUEST
POSITIONER STD (4-20mA or 0-10 VDC) REVERSE (20-4mA or 10-0 VDC)		NOT AVAILABLE FOR MOD 12V
LINEAR POTENTIOMETER (5K Ω 1W)		UPON REQUEST
ELECTRICAL CONNECTIONS		NOT AVAILABLE FOR MOD 12V
WEIGHT (Kg)		UPON REQUEST
PESO (Kg)		PG11
		6.00

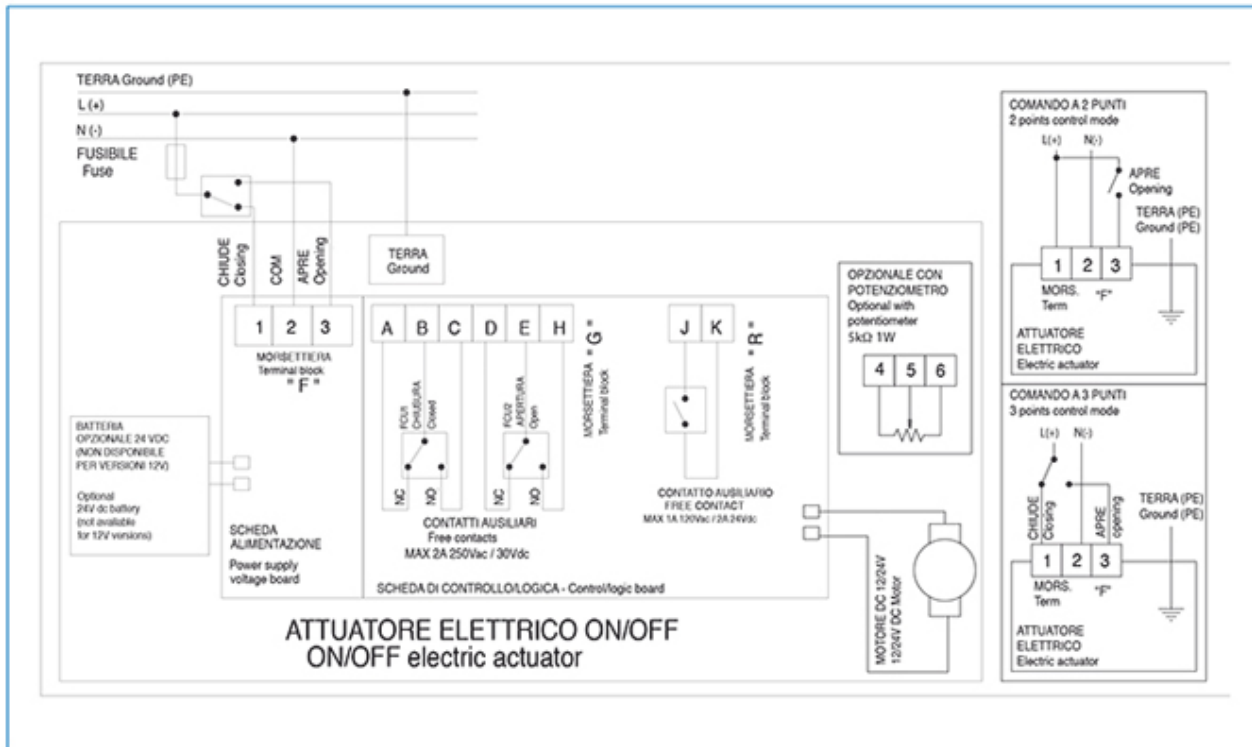
ELECTRIC ACTUATOR CONSUME DATA

MODEL		VB350	
VERSION H	NOMINAL VOLTAGE	100-240V AC	
	ABSORBED CURRENT	0,6-0,3A	
	ABSORBED POWER	60-72 VA	
VERSION L	NOMINAL VOLTAGE	12V DC	24V AC/DC
	ABSORBED CURRENT	3,6A	1,8A
	ABSORBED POWER	44VA	
FREQUENCY		50/60 HZ	



MOD.	FORATURA ISO 5211	CH	A	B	C	D	E	F	G	H	I	L	M	N	O	ØP
VB350	F07-F10	22	222	233,5	77	170	182	51,5	54	40	24	70	102	M8x20	M10x20	110

**SCHEMA ELETTRICO DAL VB030 AL VB350 12V AC/DC 50/60 Hz, 24V AC/DC 50/60 Hz, 100-240V AC 50/60 Hz
ELECTRIC WIRING FROM VB030 TO VB350 12V AC/DC 50/60 Hz, 24V AC/DC 50/60 Hz, 100-240V AC 50/60 Hz**



**SCHEMA ELETTRICO CON POSIZIONATORE DAL VB030 AL VB350 12V AC/DC 50/60 Hz, 24V AC/DC 50/60 Hz, 100-240V AC 50/60 Hz
ELECTRIC WIRING WITH POSITIONER FROM VB030 TO VB350 12V AC/DC 50/60 Hz, 24V AC/DC 50/60 Hz, 100-240V AC 50/60 Hz**

