



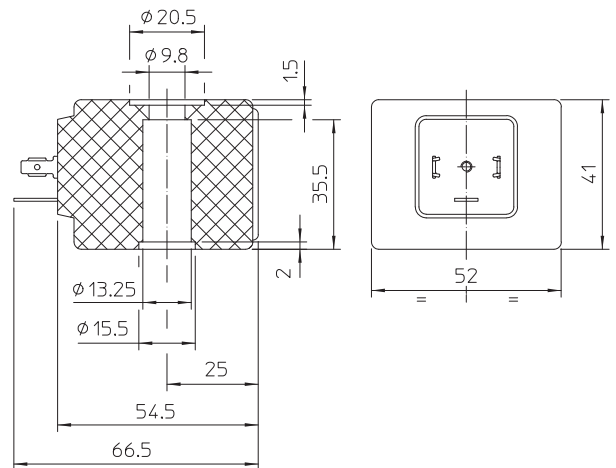
COILS 52 mm x Ø 13 mm

GDH14024CS
 ÷
GDV14230AY

COIL **GDH** Coil housing material: EP - Black epoxy resin - class H (180°C)
GDV Coil housing material: PET - Black Polyethylene - class H (180°C)

Winding: In class H
Electrical connections: With connector EN 175301-803 paragraph 5.3.1
 Protection degree IP 65 EN 60529 (DIN 40050)

COIL HOUSING AND COIL FORMER MATERIAL ARE MADE BY 100% VIRGIN MATERIAL.



MATERIAL ON STOCK:

Code	Power	Voltages Frequency	ED	Ambient temperature	Approvals
GDH14024CS	14 W	24 ~	100%	- 20 + 40°C	CE
GDH14024DS	27 VA	24 ~ 50/60	100%	- 20 + 40°C	CE
GDH14110DS	27 VA	110 ~ 50/60	100%	- 20 + 40°C	CE
GDH14223DS	27 VA	220/230 ~ 50/60	100%	- 20 + 40°C	CE
GDV14024CY	14 W	24 ~	100%	- 20 + 60°C	CE - UL - CSA - VDE
GDV14024DY	32 VA	24 ~ 50/60	100%	- 20 + 60°C	CE - UL - CSA - VDE
GDV14110AY	27 VA	110 ~ 50 120 ~ 60	100%	- 20 + 60°C	CE - UL - CSA - VDE
GDV14230AY	31 VA	230 ~ 50 240 ~ 60	100%	- 20 + 60°C	CE - UL - CSA - VDE

NOMINAL VOLTAGE TOLERANCES: DC +10% - 5%
 AC +10% - 15%

The power values are indicative, as they change as a function of magnetic kit used and of the application sector of reference | Other voltages and power absorptions available on demand and for quantities.

The "ODE" reserves the right to carry out technical and aesthetic modifications without prior notice.