

# Series MD lubricators

New

Ports with interchangeable cartridges: threaded (1/8, 1/4, 3/8) or integrated with super-rapid fitting for tube with Ø 6, 8 and 10 mm

Modular assembly

Bowl with technopolymer cover and bayonet-type mounting



- » Regulation screw
- » Ability to refill the oil even with system under pressure
- » High flow
- » Check of the oil level through plastic cover openings
- » Bowl locking system reducing the risk of accidents
- » Additional air intakes with the same characteristics of the outlet air (line)

The lubricator allows the nebulization of lubricating oil which is necessary to the functioning of components in specific conditions of use.

By means of a regulation screw the amount of oil can be properly adjusted in order to avoid unnecessary overdoses.

## GENERAL DATA

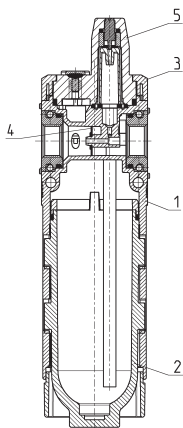
Construction	modular, compact
Materials	see TABLE OF MATERIALS (pag. 3/0.25.02)
Ports	with interchangeable cartridges: 1/8, 1/4 and 3/8 threaded or integrated with super-rapid fitting for tube with Ø 6, 8 and 10 mm
Oil capacity	40 cc
Oil refilling	even during use
Mounting	in vertical position by means of through holes in the body
Operating temperature	-5°C + 50°C up to 16 bar
Oil for lubrication	use ISO VG32 oils. Once applied, the lubrication should never be interrupted.
Operating pressure	0 + 16 bar
Min. air consumption for lubrication at 1 bar	15 NI/min
Min. air consumption for lubrication at 6 bar	25 NI/min
Nominal flow	see FLOW DIAGRAMS (pag 3/0.25.03)

**CODING EXAMPLE**

<b>MD</b>	<b>1</b>	<b>-</b>	<b>L</b>	<b>0</b>	<b>0</b>	<b>-</b>	<b>1/8</b>
-----------	----------	----------	----------	----------	----------	----------	------------

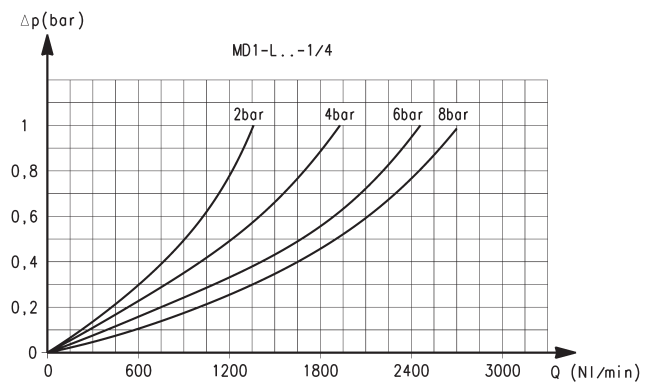
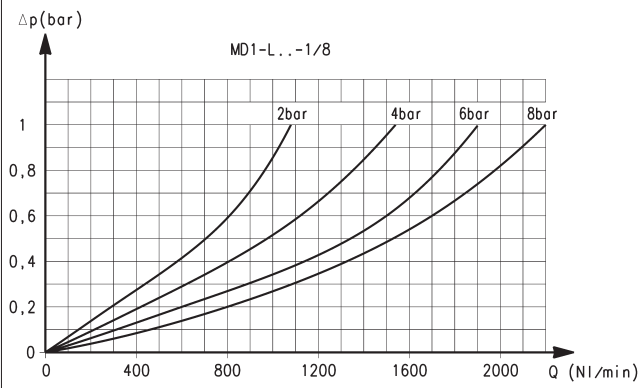
<b>MD</b>	SERIES
<b>1</b>	DIMENSION: 1 = 42 mm
<b>L</b>	LUBRICATOR
<b>00</b>	DESIGN TYPE: 00 = oil mist with refill valve 10 = oil mist without refill valve
<b>1/8</b>	PORTS (IN - OUT)*: = without ports 1/8 = G1/8 1/4 = G1/4 3/8 = G3/8 6 = tube Ø6 8 = tube Ø8 10 = tube Ø10
* NOTE: if the inlet (IN) cartridge is different from the outlet (OUT) cartridge, both dimensions shall be indicated. Example: MD1-L00-1/4-1/8	

**Series MD lubricators - materials**



PARTS	MATERIALS
<b>1 = Body</b>	Polyamide
<b>2 = Tank</b>	Polycarbonate
<b>3 = Covering</b>	Polyamide
<b>4 = Diaphragm</b>	NBR
<b>5 = Visual blockage indicator</b>	Polycarbonate
<b>Seals</b>	NBR

FLOW DIAGRAMS



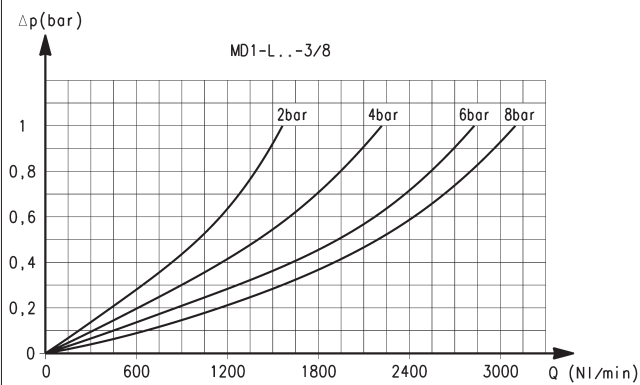
Ports with interchangeable 1/8 threaded cartridges

$\Delta p$  = Pressure drop  
 $Q$  = Flow

Ports with interchangeable 1/4 threaded cartridges

$\Delta p$  = Pressure drop  
 $Q$  = Flow

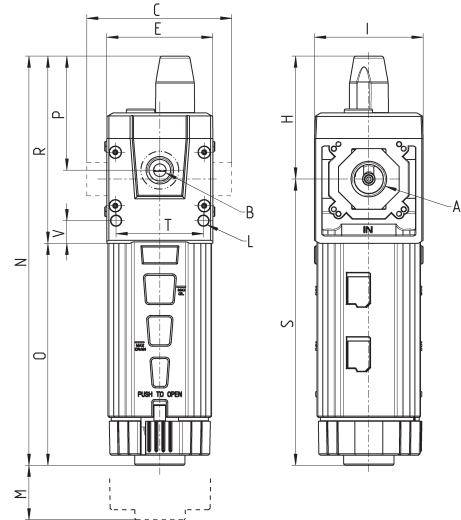
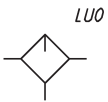
FLOW DIAGRAMS



Ports with interchangeable 3/8 threaded cartridges

$\Delta p$  = Pressure drop  
 $Q$  = Flow

Series MD lubricators - dimensions



DIMENSIONS																
Mod.	A	B	C	E	H	I	L	M	N	O	P	R	S	T	V	Weight (Kg)
<b>MD1-L00</b>	-	G1/8	42	42	48.7	43	Ø4	75	162.2	88	45.2	74.2	113.5	34.6	9	0.2
<b>MD1-L00-1/8</b>	G1/8	G1/8	42	42	48.7	43	Ø4	75	162.2	88	45.2	74.2	113.5	34.6	9	0.2
<b>MD1-L00-1/4</b>	G1/4	G1/8	42	42	48.7	43	Ø4	75	162.2	88	45.2	74.2	113.5	34.6	9	0.2
<b>MD1-L00-3/8</b>	G3/8	G1/8	42	42	48.7	43	Ø4	75	162.2	88	45.2	74.2	113.5	34.6	9	0.2
<b>MD1-L00-6</b>	Ø6	G1/8	47	42	48.7	43	Ø4	75	162.2	88	45.2	74.2	113.5	34.6	9	0.2
<b>MD1-L00-8</b>	Ø8	G1/8	62	42	48.7	43	Ø4	75	162.2	88	45.2	74.2	113.5	34.6	9	0.2
<b>MD1-L00-10</b>	Ø10	G1/8	67	42	48.7	43	Ø4	75	162.2	88	45.2	74.2	113.5	34.6	9	0.2