

# Series RPGB sprue grippers

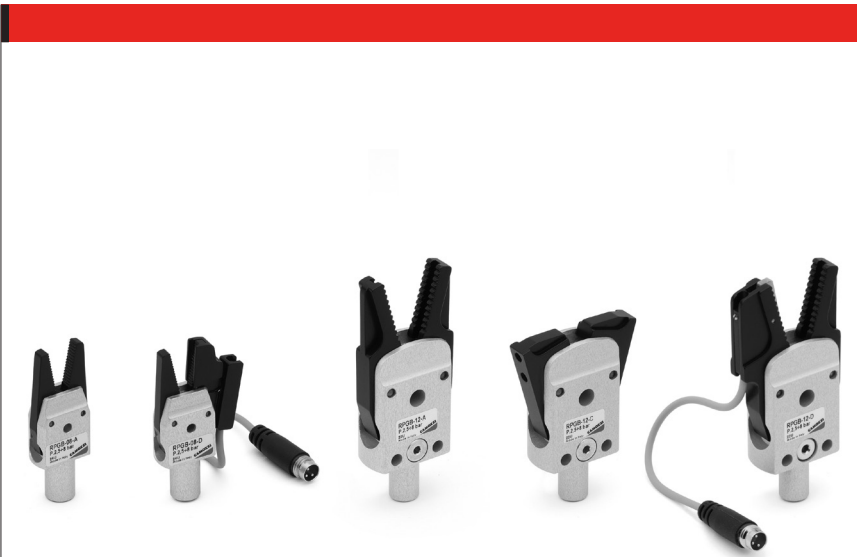
## Size 8, 12mm

New version

1

MOVEMENT

Angular, not self-centering, single-acting, Normally Open  
Models: Flat Finger, Short Finger, Flat Finger with sensor



- » Suitable for plastic injection molding sector
- » Easy to install
- » Compact and lightweight
- » Wear resistant
- » Models RPGB-08-D and RPGB-12-D are supplied with sensor CSD-362 already mounted

The external design, the choice of materials and the search for miniaturization makes Series RPGB a compact and lightweight solution. The D model is provided with a finger having a slot for the installation of a magnetic sensor which is able to detect the grip of the piece.

Its technical features ensure a high gripping force and make this gripper particularly suitable in the removal of injection molded items. The surface treatments on each metallic part make this series very wear resistant.



### GENERAL DATA

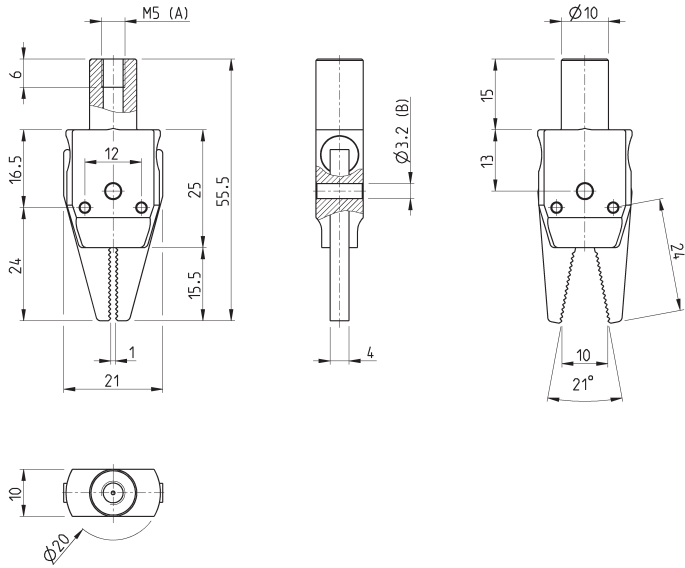
Operation	single-acting, Normally Open
Materials	anodized aluminium body and fingers, HNBR seals
Working pressure	2.5 bar + 8 bar
Working temperature	0°C + 60°C
Max frequency	3 Hz
Lubrication	Not necessary
Air ports	M5
Media	Filtered air, class 6.8.4 according to ISO 8573-1, without lubrication
Size	8, 12 mm
Weights	15 g (size 8) - 50 g (size 12)
Gripping torque at 6 bar	25 Ncm (size 8) - 90 Ncm (size 12)
Opening torque at 6 bar	2 Ncm (size 8) - 5 Ncm (size 12)
Gripping force at 6 bar	7 N (size 8) - 30 N (size 12)
Closing time without load	10 ms
Opening time	30 ms

**CODING EXAMPLE**

<b>RPGB</b>	-	<b>12</b>	-	<b>A</b>
-------------	---	-----------	---	----------

<b>RPGB</b>	SERIES
<b>12</b>	SIZE: 08 = ø 8 mm 12 = ø 12 mm
<b>A</b>	TYPE OF CONSTRUCTION: A = Flat finger C = Short finger with holes for extra jaws D = Flat finger with sensor mounted (Mod. CSD-362)

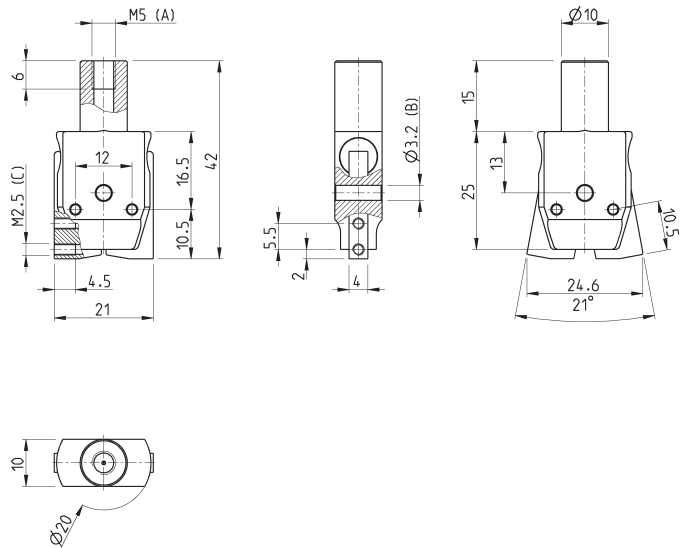
Flat finger gripper Mod. RPGB-08-A - dimensions



A = port connection  
B = mounting hole

Mod.  
RPGB-08-A

Short finger gripper Mod. RPGB-08-C - dimensions

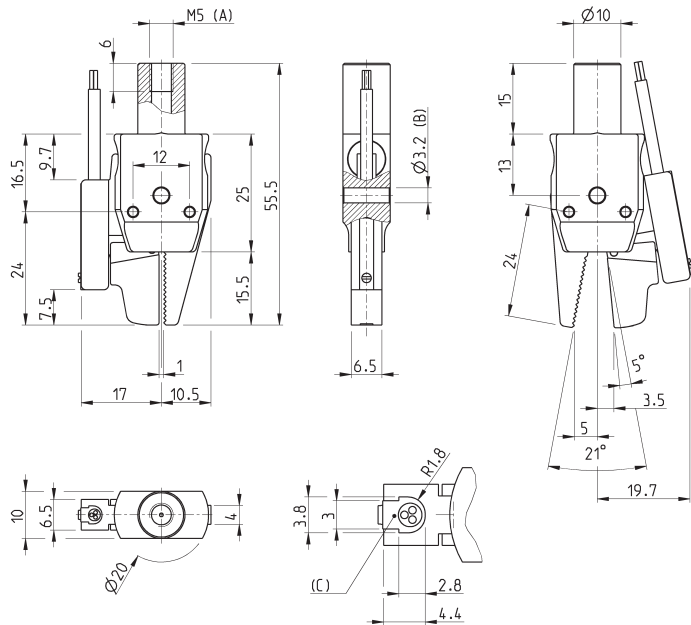


A = port connection  
B = mounting hole  
C = mounting thread

Mod.  
RPGB-08-C

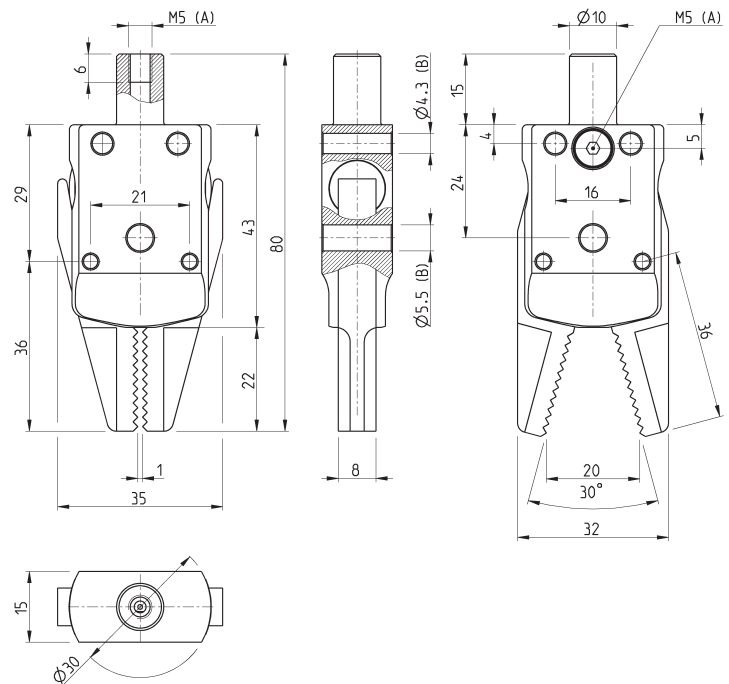
**Flat finger gripper with sensor slot Mod. RPGB-08-D - dimensions**

This model is supplied with sensor CSD-362 mounted.



A = connection port  
 B = mounting hole  
 C = sensor groove

Mod.

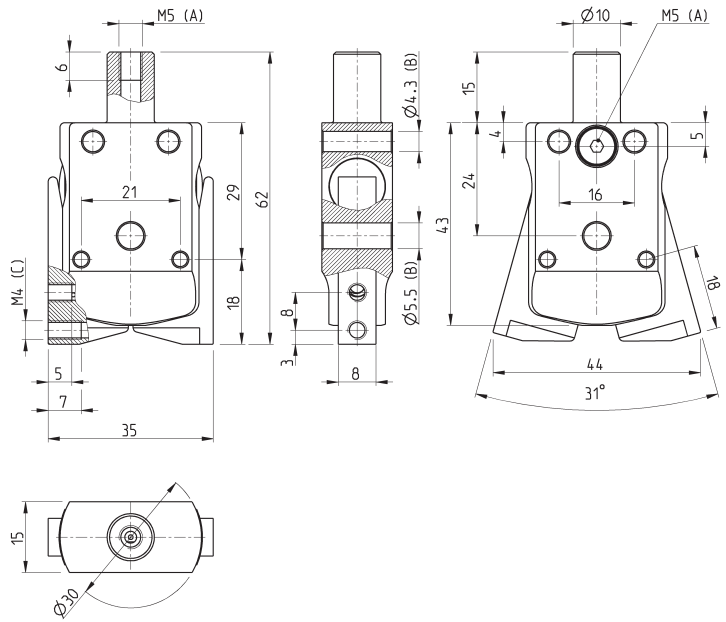
**RPGB-08-D**
**Flat finger gripper Mod. RPGB-12-A - dimensions**


A = port connection  
 B = mounting holes

Mod.

**RPGB-12-A**

Short finger gripper Mod. RPGB-12-C - dimensions

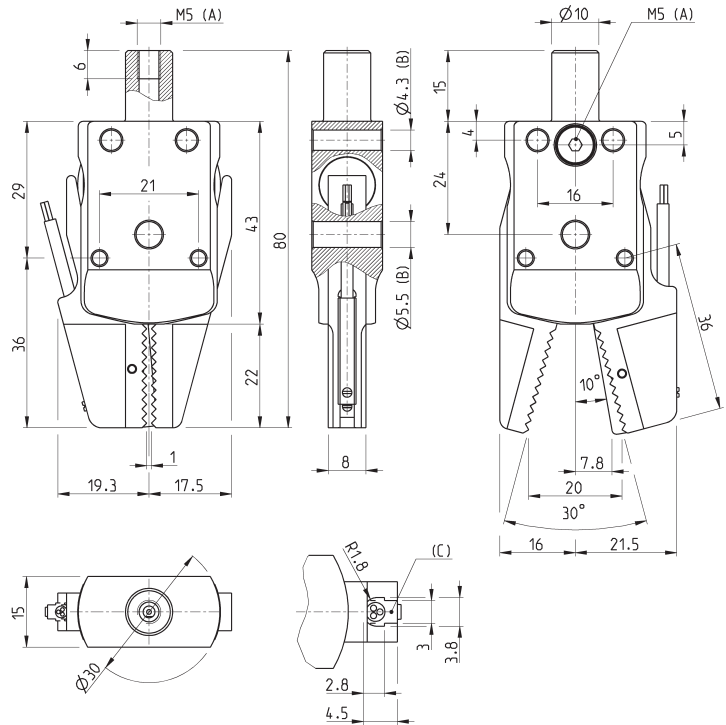


A = port connection  
 B = mounting holes  
 C = mounting thread

Mod.  
**RPGB-12-C**

Flat finger gripper with sensor slot Mod. RPGB-12-D - dimensions

This model is supplied with sensor CSD-362 mounted.

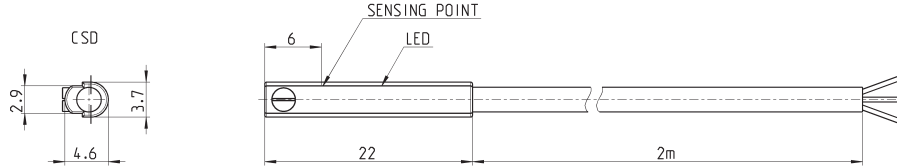


A = port connection  
 B = mounting hole  
 C = sensor groove

Mod.  
**RPGB-12-D**

**Series CSD magnetic proximity switches with 3-wire cable**
**New**

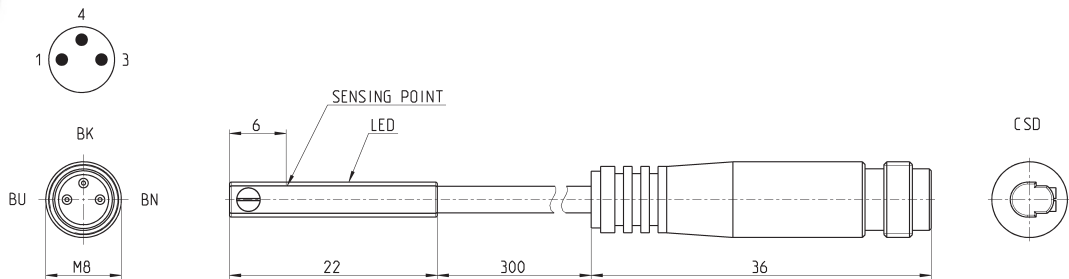
Length cable: 2 m



Mod.	Operation	Connections	Voltage	Output	Max. current	Max Load	Protection
<b>CSD-332</b>	Electronic	3 wires	10 + 27 DC	PNP	200 mA	6W	Against polarity reversing and overvoltage

**Series CSD magnetic proximity switches with male connector M8**
**New**

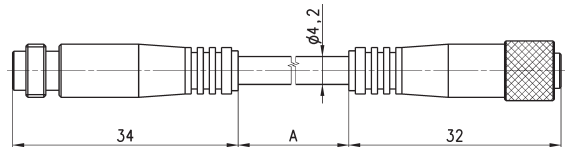
Length cable 0,3 mt.



Mod.	Operation	Connections	Voltage	Output	Max. current	Max Load	Protection
<b>CSD-362</b>	Electronic	3 wires with M8 connector	10 + 27 DC	PNP	200 mA	6W	Against polarity reversing and overvoltage

Extension with connector M8, 3 Pin Male / Female

Non shielded



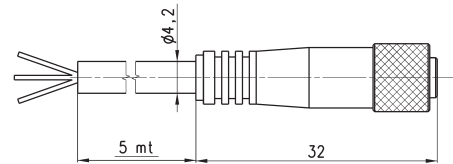
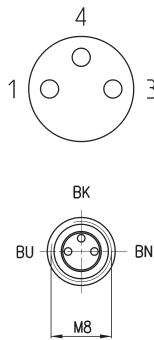
Mod.	cable length "A" (m)
CS-DW03HB-C250	2,5
CS-DW03HB-C500	5

Circular connectors M8, 3 Pin Female

With PU sheathing, non shielded cable.  
Protection class: IP65



BN = Brown  
BK = Black  
BU = Blue



Mod.	Length
CS-2	2 m
CS-5	5 m
CS-10	10 m